

AXYS PRO FIT CARGO RACK KIT



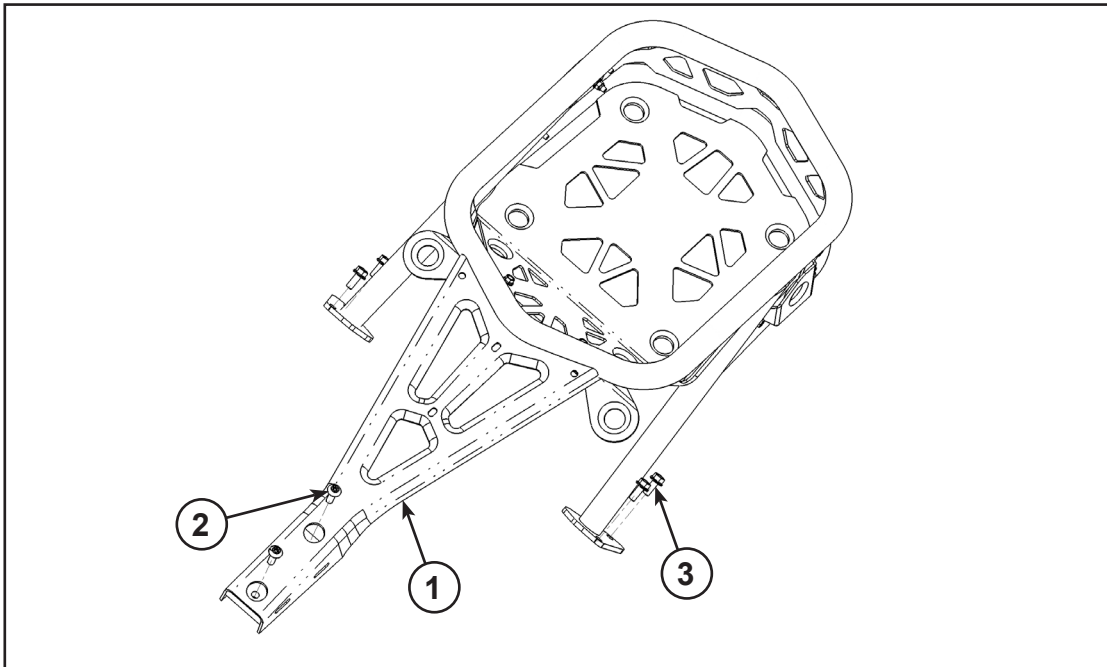
P/N 2880205

APPLICATION

Axys Snowmobiles

BEFORE YOU BEGIN

Read these instructions thoroughly and make sure all parts and tools are accounted for. Please retain these installation instructions for future reference and parts ordering information.



KIT CONTENTS

| Ref | Qty | Part Description | Part Number |
|-----|-----|--------------------|-------------|
| 1 | 1 | ASM Cargo Rack | 1020782 |
| 2 | 2 | M8x25 Screw ZODP30 | 7519070 |
| 3 | 4 | M8x25 Screw ZOD P3 | 7519133 |
| | 1 | Instructions | 9925575 |

TOOLS NEEDED

13 mm Socket

Torque Wrench

T-30 Torx Driver

T-40 Torx Wrench

Ratchet

APPROXIMATE ASSEMBLY TIME

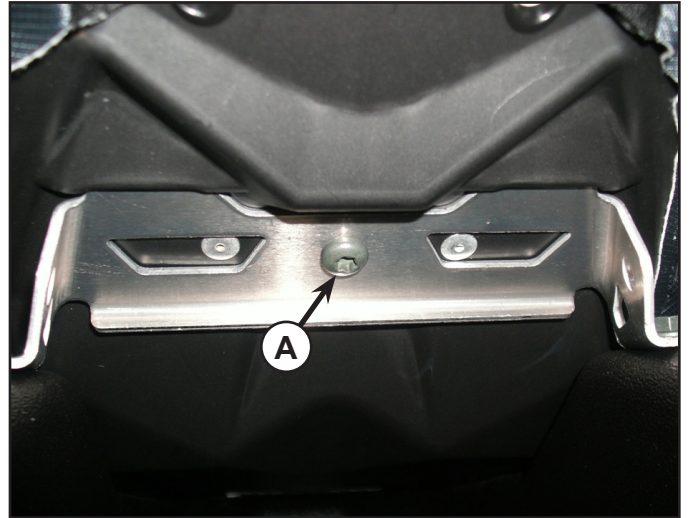
15 mins

IMPORTANT

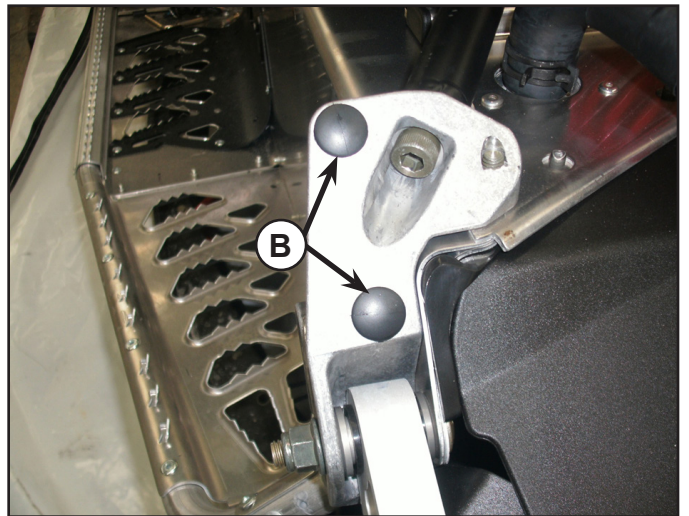
Your Polaris AXYS PRO FIT CARGO RACK KIT is exclusively designed for your vehicle. Please read the installation instructions thoroughly before beginning. Installation is easier if the vehicle is clean and free of debris. For your safety, and to ensure a satisfactory installation, perform all installation steps correctly in the sequence shown.

INSTALLATION INSTRUCTIONS

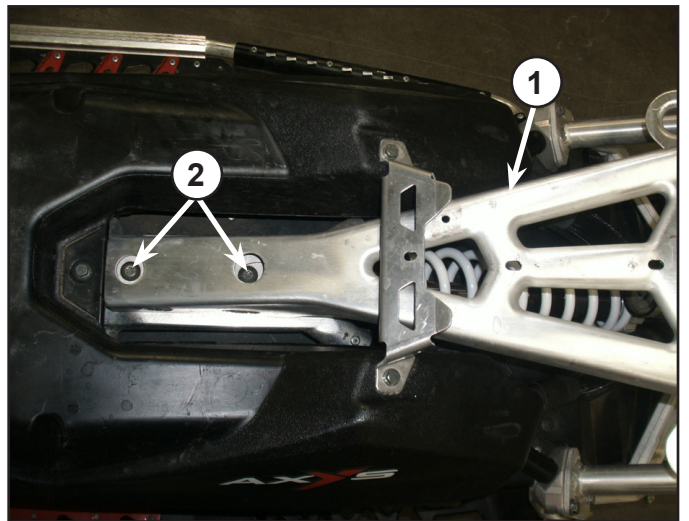
1. Remove seat fastener (A) from rear of seat as shown in figure. Remove seat from vehicle.



2. Remove plastic thread protectors (B) from rear support brace as shown in figure.



3. Install cargo rack (1) under seat bracket and loosely install 2-8 mm two torx head screws (2) as shown in figure.



4. Install 4-8 mm, 13 mm head screws (C) through the cargo rack support tubes and thread into the rear support brace as shown in figure.
5. Torque all cargo rack fasteners to 18 ft. lbs. (24.4 Nm).
6. Reinstall the seat and torque fastener to 8 ft.lbs. (10.8 Nm).

