

**MOUNT PLATE FOR GLACIER PRO ATV PLOW FRAME**  
**KIT N° 2879632**



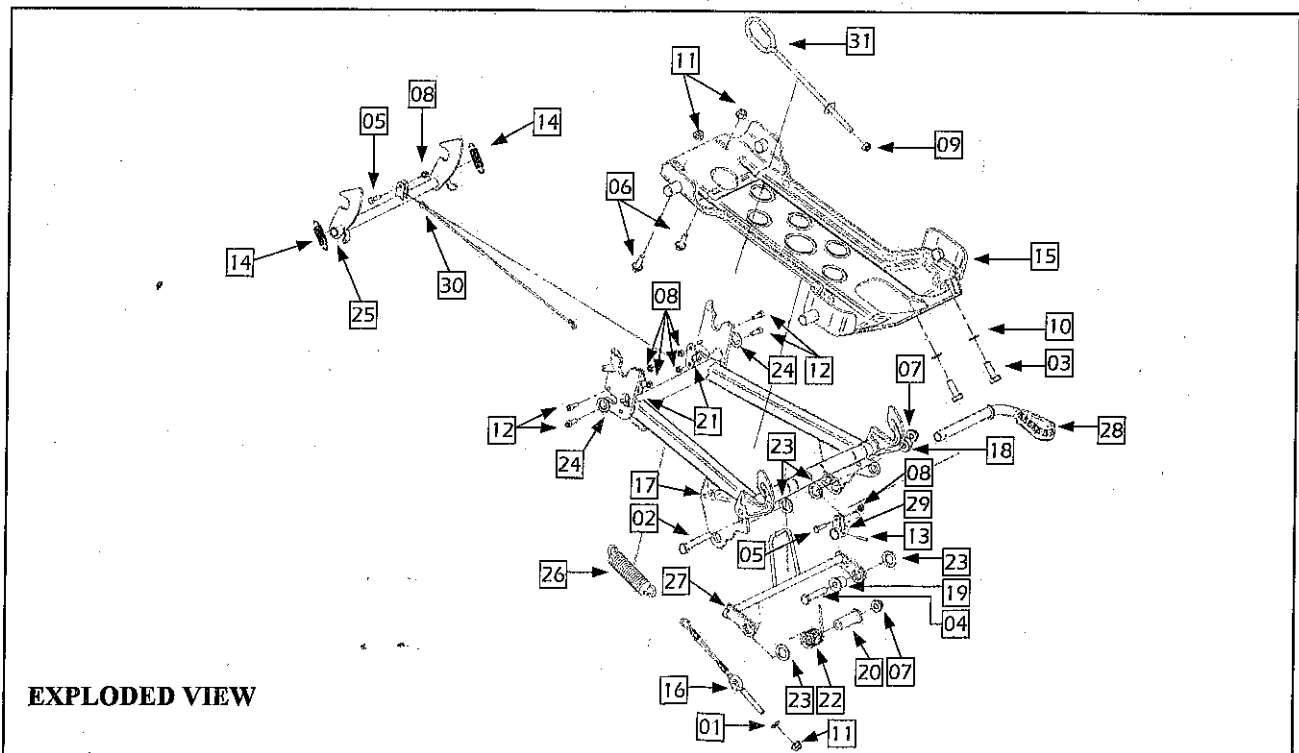
**Application:** All Sportsman XP 550/850 models, 2009 and more recent. All Sportsman Touring 550/850 models, 2010 and more recent. All Sportsman X2 550/850 models, 2010 and more recent. All Scrambler 850 models, 2013 and more recent.

**IMPORTANT:** Your Polaris accessory is exclusively designed for your vehicle. Before beginning, please read these instructions and make sure that all parts and tools are at your disposal. Keep these instructions for future reference or for any information requests. To facilitate installation, make sure that your vehicle is clean and free of debris.

**Required tools:** 10-mm, 13-mm, 15-mm and 17-mm sockets and wrenches, 5-mm Allen wrench, long nose pliers.

**Contents of the kit:**

Ref.	Description	Qty	Ref.	Description	Qty
01	M8 flat washer	1	17	Hook up	1
02	M10-1.5 x 70 mm hexagonal bolt	1	18	Height stopper	1
03	M10-1.5 x 20 mm hexagonal bolt	2	19	Short flange bushing	1
04	M10-1.5 x 50 mm hexagonal bolt	1	20	Long flange bushing	1
05	M6-1.0 x 20 mm hexagonal bolt	2	21	Half lock	2
06	M8-1.25 x 25 mm hexagonal flange bolt	2	22	Torsion spring	1
07	M10-1.5 hexagonal flange nylon nut	2	23	Plastic washer	4
08	M6-1.0 hexagonal nylon nut	6	24	Spacer	2
09	M8-1.25 hexagonal nylon nut	1	25	Rear hook	1
10	M10 lock washer	2	26	Tension spring	1
11	M8-1.25 hexagonal flange nylon nut	3	27	Height locking lever	1
12	M6-1 x 18 mm Allen socket machine screw	4	28	Welded pedal	1
13	Spiral pin, $\varnothing$ 4 x 22mm	1	29	Pedal link	1
14	Tension spring	2	30	Link rod	1
15	Mount plate	1	31	Winch link	1
16	Adjustment wire	1			



**MOUNT PLATE FOR GLACIER PRO ATV PLOW FRAME  
KIT N° 2879632**



**INSTALLATION** (approximate installation time: 40 minutes)

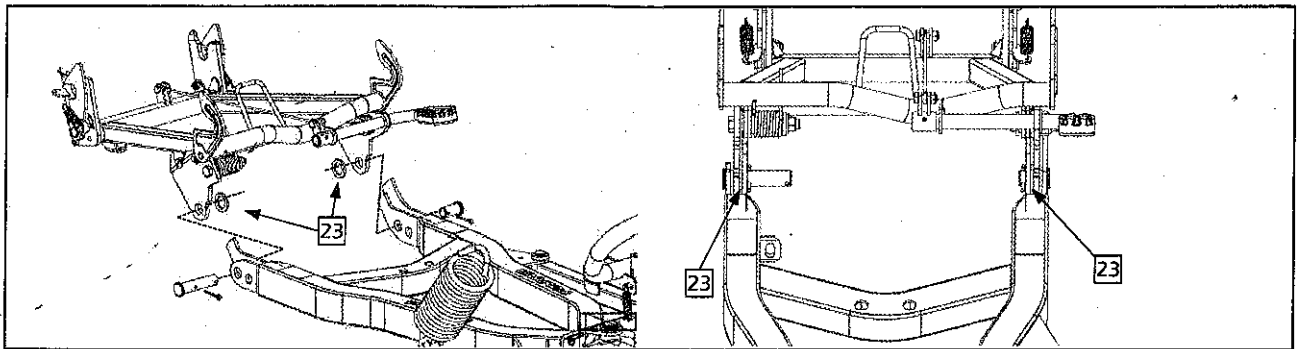
**IMPORTANT:** Polaris winch must be installed first. It is strongly suggested that your ATV suspension setup is at the stiffest rating for the front suspension.

**WINCH LINK ASSEMBLY:**

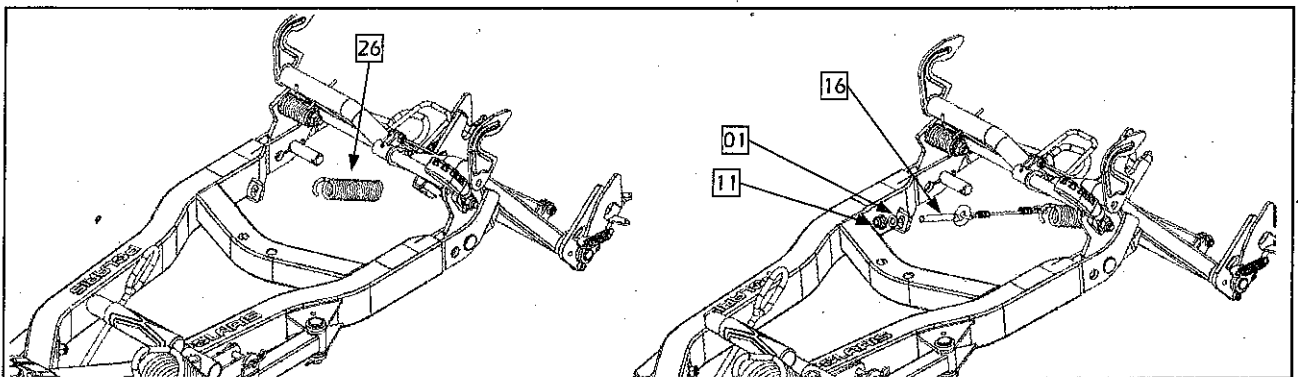
1. Refer to the Pushframe (P/N 2879630) installation guide.

**HOOK-UP ASSEMBLY:**

2. Assemble the hook up assembly to the pushframe (P/N 2879630) using two (2) pins and two (2) cotter pins supplied in the pushframe kit. Insert one (1) plastic washer **23** between the hook up and the frame on each side.



3. Place the tension spring **26** in the hook up **17**. Insert the adjustment wire **16** in the open end of the spring then insert the eyebolt in the eyelet of the pushframe and fasten using one (1) M8-1.25 nylon nut **11** and one (1) M8 washer **01**.  
**IMPORTANT:** Fully tighten the eyebolt using a screwdriver to retain the eyebolt from rotating in order to avoid twisting the steel cable.



Refer to pushframe instruction for height adjustment of the assembly.

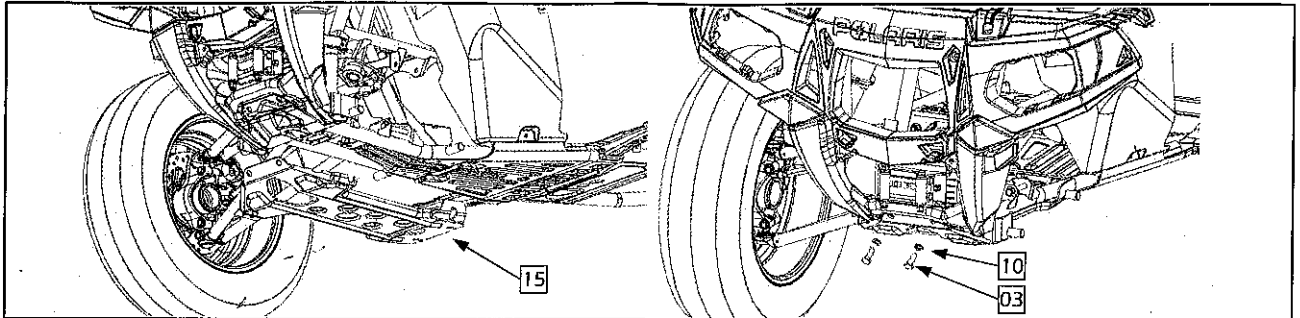
**MOUNT PLATE FOR 1 GLACIER PRO ATV1 PLOW FRAME  
KIT N° 2879632**



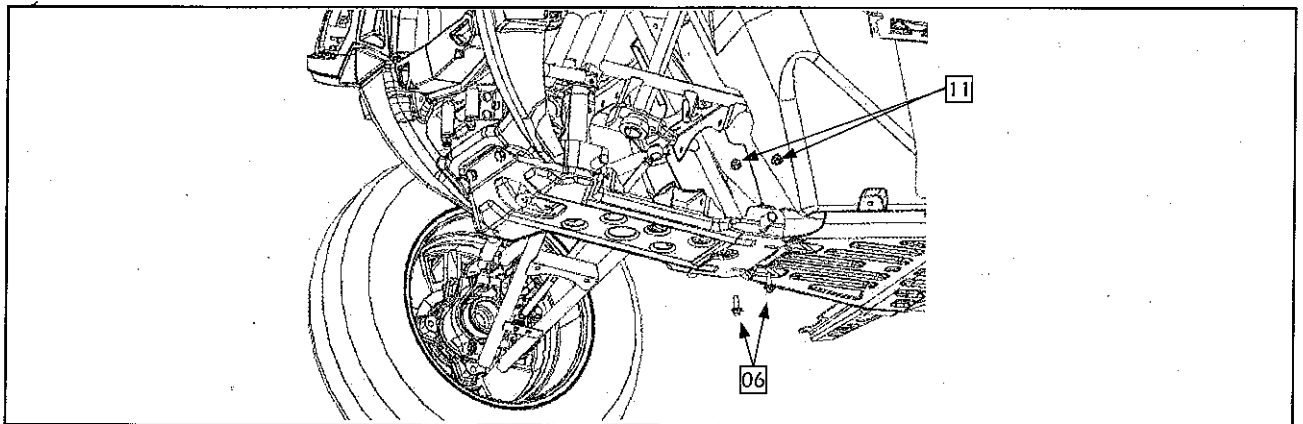
**MOUNT PLATE INSTALLATION:**

**IMPORTANT:** Tightening sequence of Steps 4 to 5 is very important. Not following the tightening sequence will lead to difficulties in assembling the hook up assembly to the mount plate.

4. Position and fasten the front part of the mount plate **15** onto the winch support using two (2) M10-1.5 x 20 mm hex. bolts **03** and two (2) M10 lock washers **10**. Screw the first threads only at this time.



5. Fasten the rear part of the mount plate using two (2) M8-1.25 x 25 mm hex. flange bolts **06** with two (2) M8 flange nylon nuts **11**. Screw the first threads only at this time.



6. Finger tighten the front bolts completely. Torque all bolts and nuts starting by the rear bolts and finishing with the front bolts to avoid twisting the plate.

**MOUNT PLATE FOR GLACIER PRO ATV PLOW FRAME**  
**KIT N° 2879632**



**POLARIS®**

**SPARE KITS**

REF.	DESCRIPTION	Hardware Kit (2205065)	Winch Link Kit (2205384)	Spring Kit (2205385)	Latch Kit (2205383)	Mount Plate Kit (2205386)
1	M8 flat washer			1x		
2	M10-1.5 x 70 mm hexagonal bolt	1x				
3	M10-1.5 x 20 mm hexagonal bolt	2x				
4	M10-1.5 x 50 mm hexagonal bolt	1x				
5	M6-1.0 x 20 mm hexagonal bolt	2x			2x	
6	M8-1.25 x 25 mm hexagonal flange bolt	2x				
7	M10-1.5 hexagonal flange nylon nut	2x				
8	M6-1.0 hexagonal nylon nut	6x			2x	
9	M8-1.25 hexagonal nylon nut		1x			
10	M10 lock washer	2x				
11	M8-1.25 hexagonal flange nylon nut	3x		1x		
12	M6-1 x 18 mm Allen socket machine screw	4x				
13	Spiral pin, $\varnothing$ 4 x 22mm				1x	
14	Tension spring				2x	
15	Mount plate					1x
16	Adjustment wire			1x		
17	Hook up					
18	Height stopper					
19	Short flange bushing	1x				
20	Long flange bushing	1x				
21	Half lock					
22	Torsion spring	1x				
23	Plastic washer	4x				
24	Spacer	2x				
25	Rear hook				1x	
26	Tension spring			1x		
27	Height locking lever					1x
28	Welded pedal					1x
29	Pedal link					1x
30	Link rod					1x
31	Winch link		1x			