

LOWER DOOR KIT

P/N 2880272

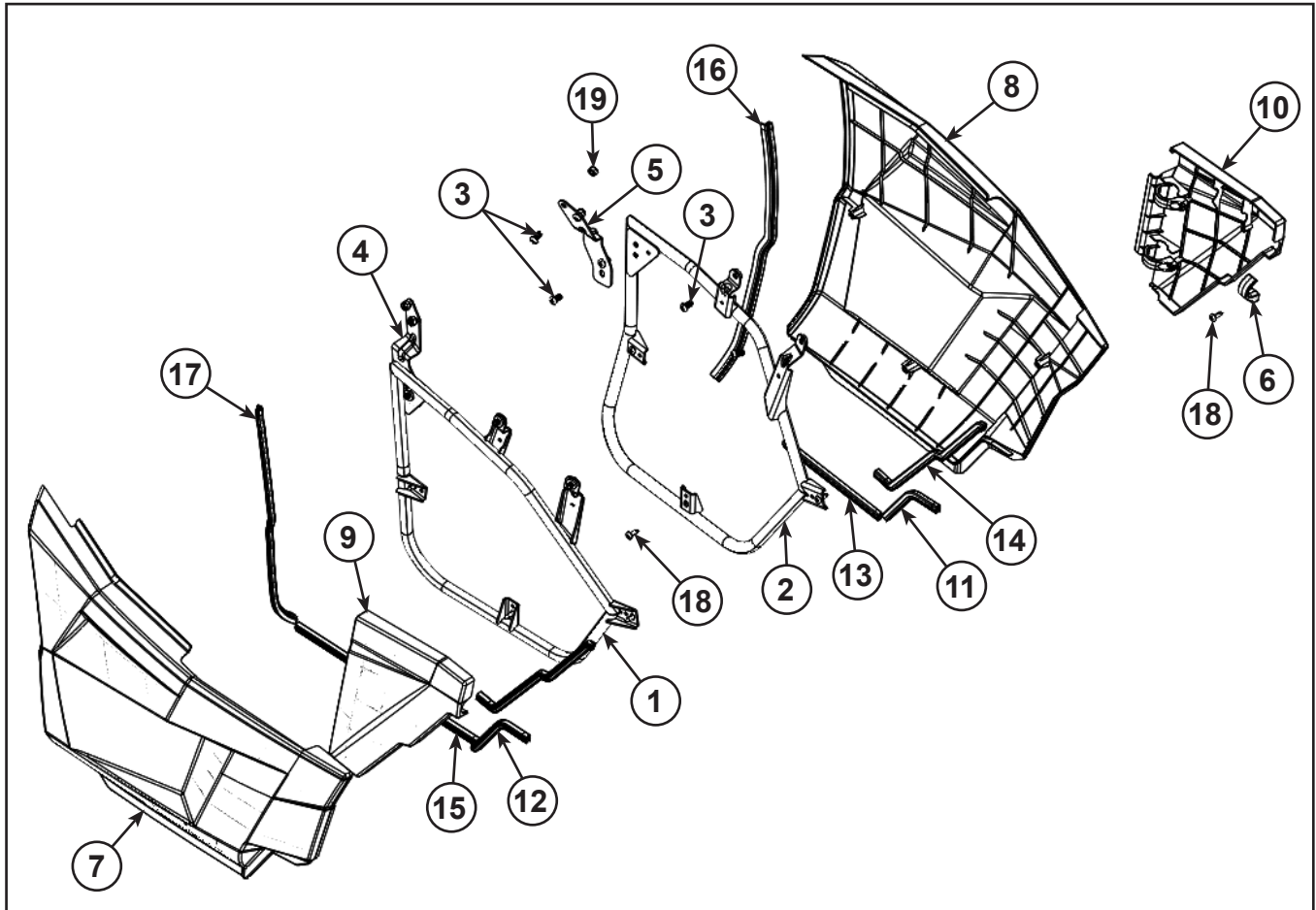
Application

SPORTSMAN ACE

POLARIS

ENGINEERED PARTS
ACCESSORIES & APPAREL

Before you begin, read these instructions twice and check to be sure all parts and tools are accounted for. Please retain these installation instructions for future reference and parts ordering information.



Kit Contents:

<u>Ref</u>	<u>Qty</u>	<u>Part Description</u>	<u>Part Number</u>
1	1	Weld-Mount, Lower Door, LH	1020913
2	1	Weld-Mount, Lower Door, RH	1020914
3	12	Bolt-M8X1.25X16, w/Patch	-
4	1	Lower Door Mount, LH	5260084
5	1	Lower Door Mount, RH	5260085
6	6	J Mount Bracket, INJ	5451472
7	1	Plastic Lower Door Panel, LH	5451705
8	1	Plastic Lower Door Panel, RH	5451706
9	1	Bolster Cover Panel, INJ, LH	5451707
10	1	Bolster Cover Panel, INJ, RH	5451708
11	1	Weatherstrip Seal, Lower Door	5522024-161
12	1	Weatherstrip Seal, Lower Door	5522024-168
13	1	Weatherstrip Seal, Lower Door	5522024-236

<u>Ref</u>	<u>Qty</u>	<u>Part Description</u>	<u>Part Number</u>
14	2	Weatherstrip Seal, Bolster	5522024-368
15	1	Weatherstrip Seal, Lower Door	5522024-404
16	1	Wiper Seal, Lower Door	5522106-500
17	1	Wiper Seal, Lower Door	5522106-518
18	12	Screw-TX Truss-#14X3/4, HI/ LO B	7519045
19	4	Nut-M8X1.25-Y, Nyloc	7547144
	1	Instructions	9925225

Tools Required:

Metric Wrench Set Torx Wrenches

APPROXIMATE ASSEMBLY TIME: 25 minutes

IMPORTANT: Your Polaris LOWER DOOR KIT is exclusively designed for your vehicle. Please read the installation instructions thoroughly before beginning. Installation is easier if the vehicle is clean and free of debris. For your safety, and to ensure a satisfactory installation, perform all installation steps correctly in the sequence shown.

INSTALLATION INSTRUCTIONS:

1. Place the vehicle in “**PARK**” and turn the key to “**OFF**” position. Remove the key from the vehicle.
2. Remove four screws holding upper door skin to frame, but do not remove skin completely. Install LH lower door weld mount (PN 1020913) onto the LH lower door plastic panel (PN 5451705) by attaching three screws (PN 7519045). See Figure 1.
3. Install lower door frame to upper door frame.

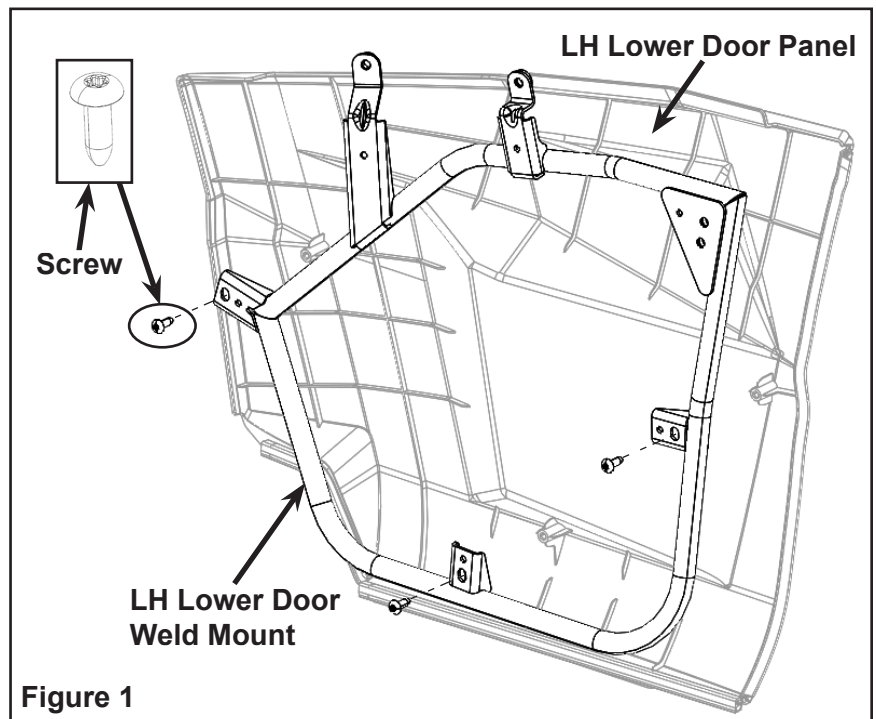
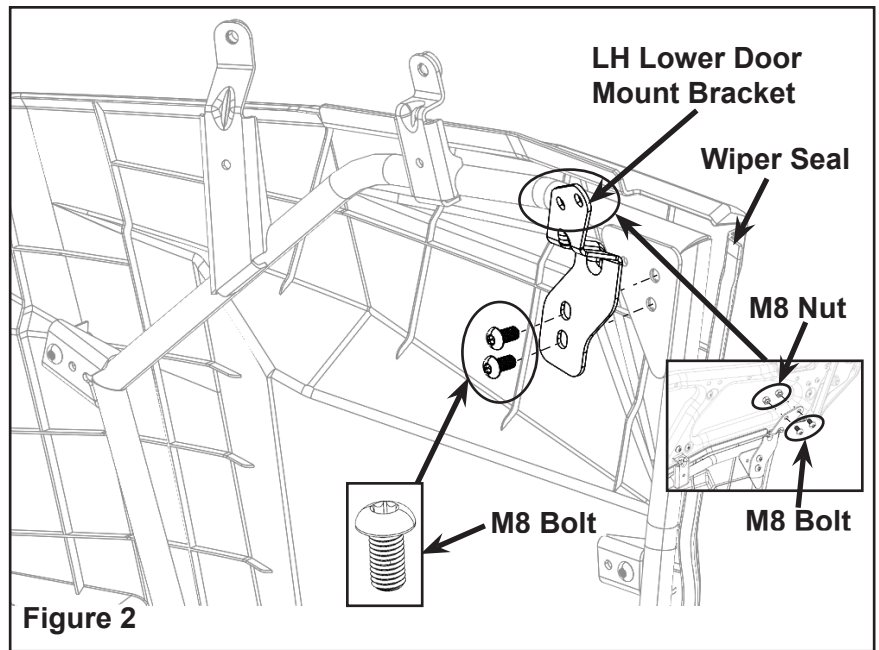


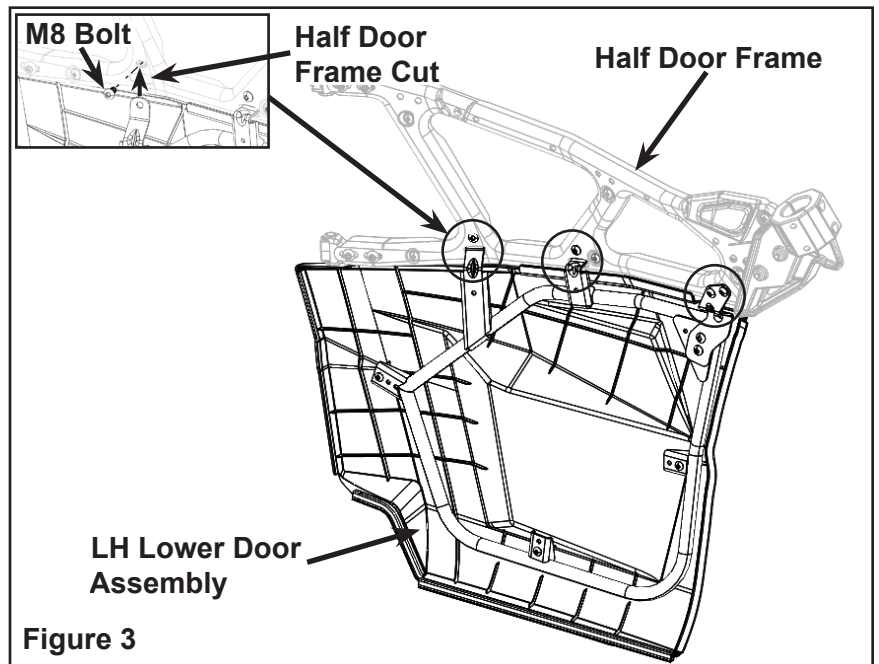
Figure 1

4. Install LH lower door mount bracket (PN 5260084) onto the LH lower door weld mount by fastening two M8 bolts. See Figure 2.
Install M8 bolts to upper door frame but Do Not Tighten.

NOTE: Adjust the door front and rear so the gaps are even. Once adjusted, if the front seal causes difficulty closing the door, readjust the door rearward. If the door will not adjust rearward far enough to allow acceptable closing of the door, remove the seal.



5. Install lower skin using three screws. Figure 3.
6. Adjust lower door to fit properly by closing door and checking fit all around. If necessary, loosen hinge bolts on upper door and adjust full assembly. Tighten hinge bolts and bolts holding lower door frame to upper door frame.
7. Reinstall half door panel.



8. Install bolster cover panel (PN 5451707) onto the bolster tubes by securing with three J mount brackets (PN 5451472) and screws (PN 7519045). Figure 4.
9. Tighten all hardware to torque 16 ft. lbs. (21.7 Nm) at this time.
10. Repeat the Steps 2-8 to install RH side lower door assembly.

