

# MID WINDSHIELD KIT

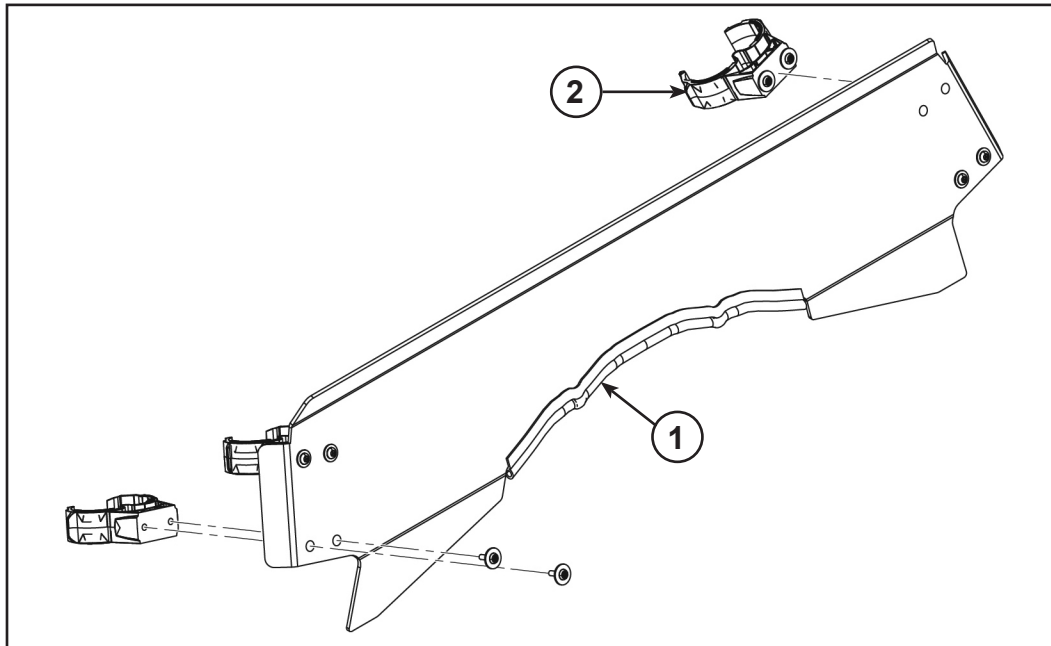
P/N 2879694



## Application

SPORTSMAN ACE

Before you begin, read these instructions twice and check to be sure all parts and tools are accounted for. Please retain these installation instructions for future reference and parts ordering information.



## Kit Contents:

<u>Ref</u>	<u>Qty</u>	<u>Part Description</u>	<u>Part Number</u>
1	1	Windshield, Mid	-
2	4	Kit-Clamp, Lock and Ride	2878747
	1	Instructions	9924916

## Tools Required:

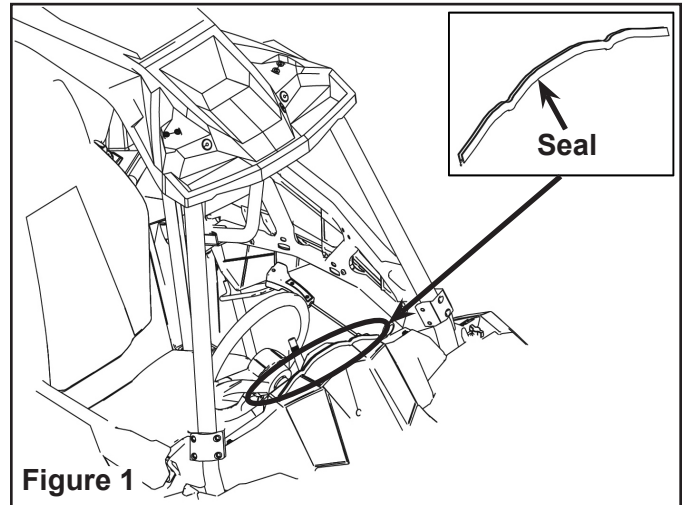
Torx Wrenches

**APPROXIMATE ASSEMBLY TIME:** 10 minutes

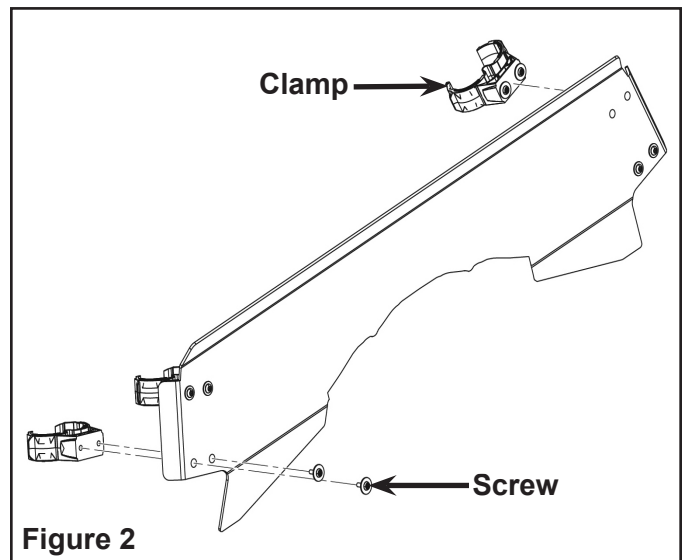
**IMPORTANT:** For your safety, and to ensure a satisfactory installation, perform all installation steps correctly in the sequence as shown on the attached instructions.

## INSTALLATION INSTRUCTIONS:

1. Place the vehicle in "PARK". Turn the key to "OFF" position and remove from the vehicle.
2. Install seal on bottom edge of windshield and trim as required to fit. Figure 1.



3. Install the four clamps on windshield and install the screws loosely. Figure 2.



4. Attach the windshield to vehicle, snap all clamps securely, and tighten screws, making sure not to crack windshield. Figure 3.

