

CUSTOM CAGE ALUMINUM ROOF KIT



P/N 2882172

APPLICATION

Verify accessory fitment at Polaris.com.

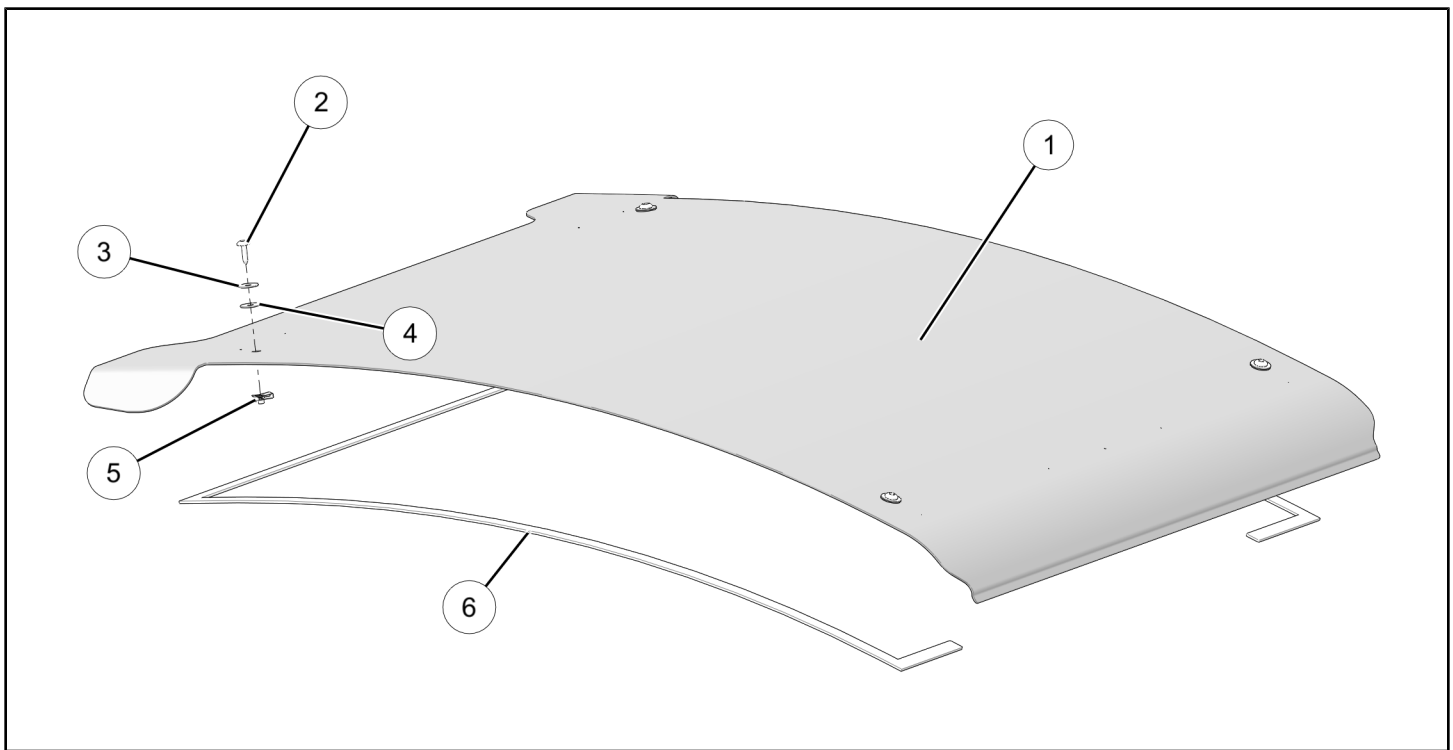
BEFORE YOU BEGIN

Read these instructions and check to be sure all parts and tools are accounted for. Please retain these installation instructions for future reference and parts ordering information.

KIT CONTENTS

This kit contains parts for installation of the aluminum roof only. Prior installation of the Front Custom Cage Kit, PN 2881986, is also required (sold separately).

This Kit includes:



REF	QTY	PART DESCRIPTION	PART NUMBER
1	1	Panel, Custom Cage Roof, Aluminum	-
2*	4	Screw, Torx® Truss Head - M6 X 1.0 X 25	7519650
3*	4	Washer, Steel - 0.281 X 1.00 X 0.051	7556329
4*	4	Washer, Rubber - 0.281 X 1.00 X 0.051	-
5*	4	Nut, Clip	7081305
6	-	Tape, Foam	-
	1	Instructions	9927335

Items marked (*) are included in Hardware Kit PN 2206517.

TOOLS REQUIRED

- Safety Glasses
- Screwdriver Set, Torx®

- Socket Set, Torx® Bit
- Torque Wrench

IMPORTANT

Your Custom Cage Aluminum Roof Kit is exclusively designed for your vehicle. Please read the installation instructions thoroughly before beginning. Installation is easier if the vehicle is clean and free of debris. For your safety, and to ensure a satisfactory installation, perform all installation steps correctly in the sequence shown.

ASSEMBLY TIME

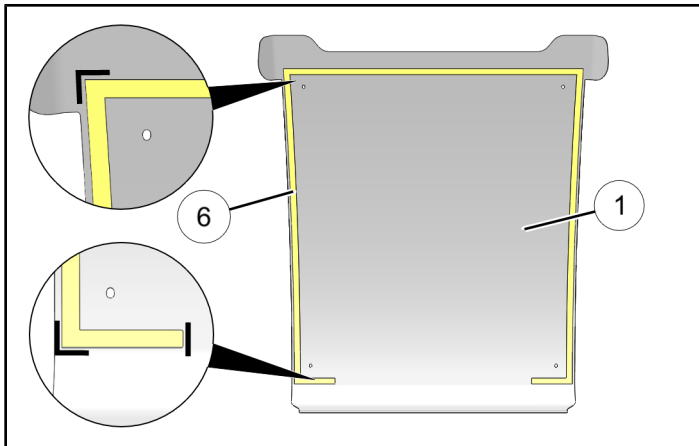
Approximately 15 minutes

INSTALLATION INSTRUCTIONS

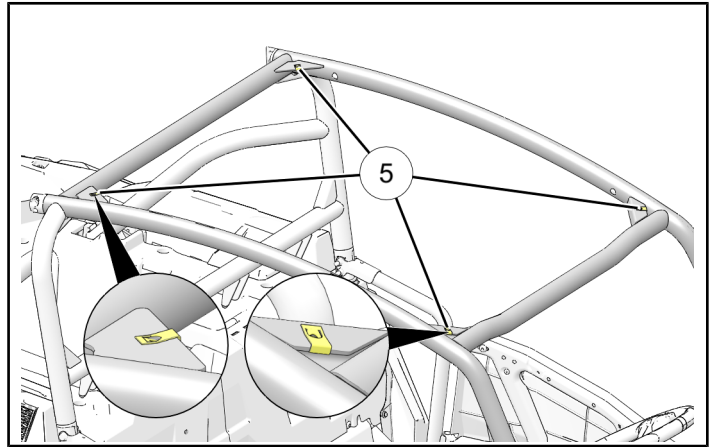
NOTE

It is recommended that two people assemble and install this kit.

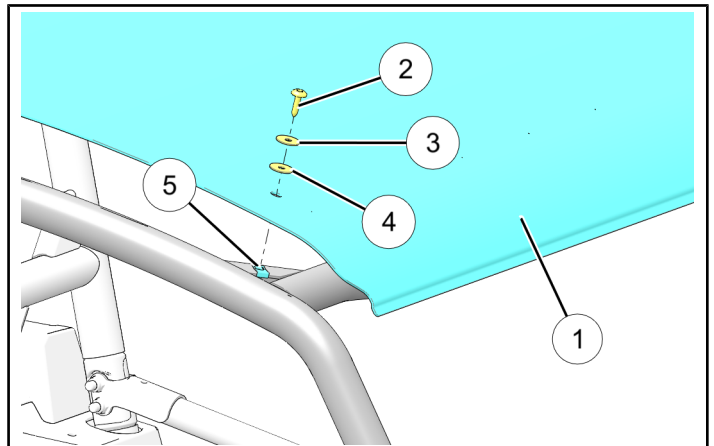
1. Shift vehicle transmission into "PARK". Turn key to "OFF" position and remove from vehicle.
2. Install foam tape at ROPS contact locations.
 - a. Clean underside of roof panel ① as required to ensure proper foam tape adhesion.
 - b. Peel adhesive backing from foam tape ⑥, then apply tape to panel perimeter on INSIDE edge of alignment marks as shown. Trim as required. Press tape firmly into place.



3. Install four clip nuts ⑤ to ROPS corner gussets.



4. Loosely install corner of roof panel ① to ROPS and clip nut ⑤ using screw ②, steel washer ③, and rubber washer ④. Ensure steel washer is beneath screw head, and rubber washer is against roof. Repeat for remaining corners.



5. Torque all screws to specification.

TORQUE

8 ft. lbs. (11 Nm)