

GLACIER PRO BLADE (66") KIT

POLARIS

ENGINEERED PARTS
ACCESSORIES & APPAREL

P/N 2880268

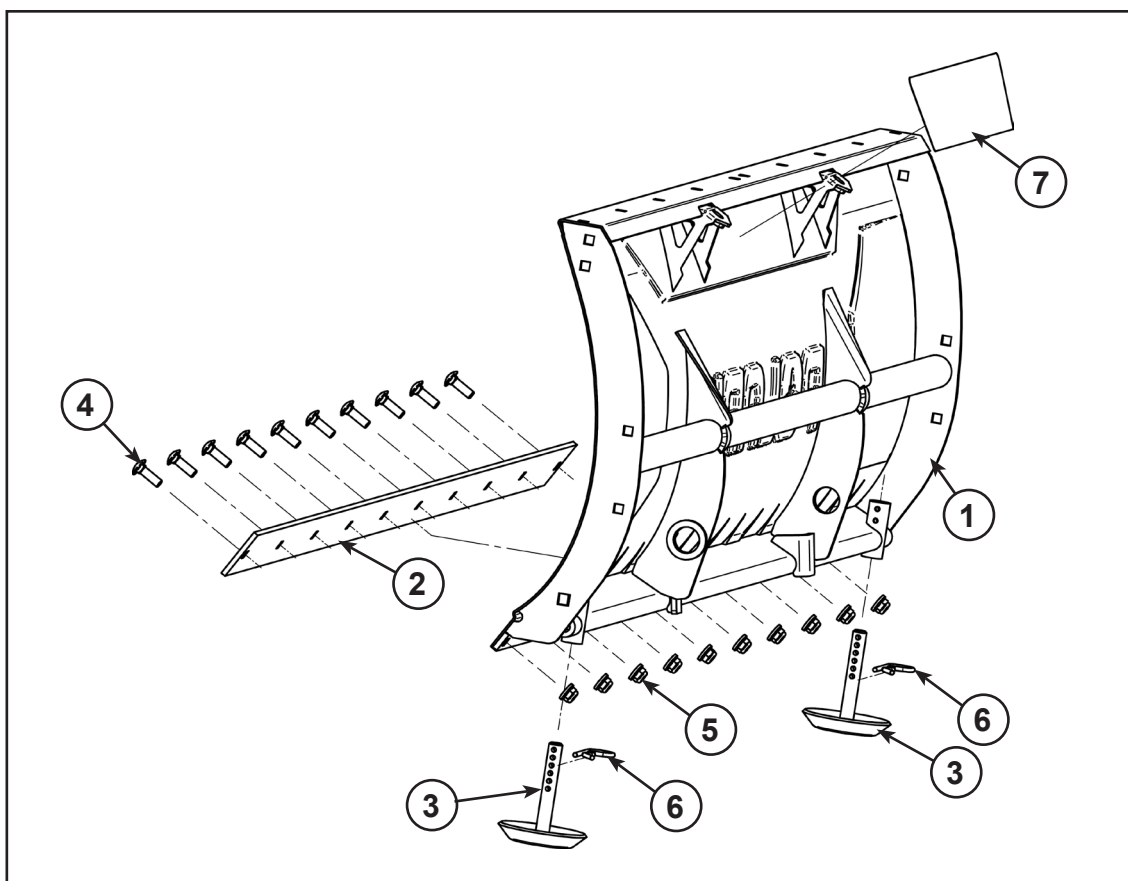
APPLICATION

GLACIER PRO ATV PLOW FRAME (PN 2879630)

GLACIER PRO MIDSIZE PLOW FRAME (PN 2880260)

BEFORE YOU BEGIN

Read these instructions thoroughly and make sure all parts and tools are accounted for. Please retain these installation instructions for future reference and parts ordering information.



Kit Contents:

| <u>Ref</u> | <u>Qty</u> | <u>Part Description</u> | <u>Part Number</u> |
|------------|------------|-----------------------------|--------------------|
| 1 | 1 | Blade (66") | - |
| 2 | 1 | Wear Bar | 2879867 |
| 3 | 2 | Skid Shoe | 2205071 |
| 4 | 10 | M8- 1.25x25mm Carriage Bolt | - |
| 5 | 10 | M8- 1.25 Nylon Nut | - |
| 6 | 2 | R-pin | 2205070 |
| 7 | 1 | Top Decal | - |
| | 1 | Instructions | 9925221 |

Tools Required:

19 mm Socket and Wrench

APPROXIMATE ASSEMBLY TIME: 30 minutes

IMPORTANT: Your Polaris GLACIER PRO BLADE (66") KIT is exclusively designed for your vehicle. Before beginning, please read these instructions and make sure that all parts and tools are at your disposal. Keep these instructions for future reference or part ordering information. To facilitate installation, make sure that your plow system is clean and free of debris.

PLOW SYSTEM:

1. Assemble as illustrated in page 1.

| SPARE KITS | | Wear Bar Kit (PN 2879867) | Skid Shoe Kit (PN 2205071) | R-Pin Kit (PN 2205070) |
|------------|-----------------------------|------------------------------|-------------------------------|---------------------------|
| REF. | DESCRIPTION | | | |
| 1 | Blade (66") | | | |
| 2 | Wear Bar | 1x | | |
| 3 | Skid Shoe | | 2x | |
| 4 | M8- 1.25x25mm Carriage Bolt | 10x | | |
| 5 | M8- 1.25 Nylon Nut | 10x | | |
| 6 | R-pin | | 2x | 2x |

Other Accessory Kits Available For Purchase:

1. Plow Marker Kit (PN 2872726)
2. Curb Finder Kit (PN 2879872)
3. 66" Hardened Wear Bar Kit (PN 2879868)
4. 66" Rubber Deflector Flap Kit (2879866)