

GLACIER PRO BLADE (72") KIT



P/N 2880270

APPLICATION

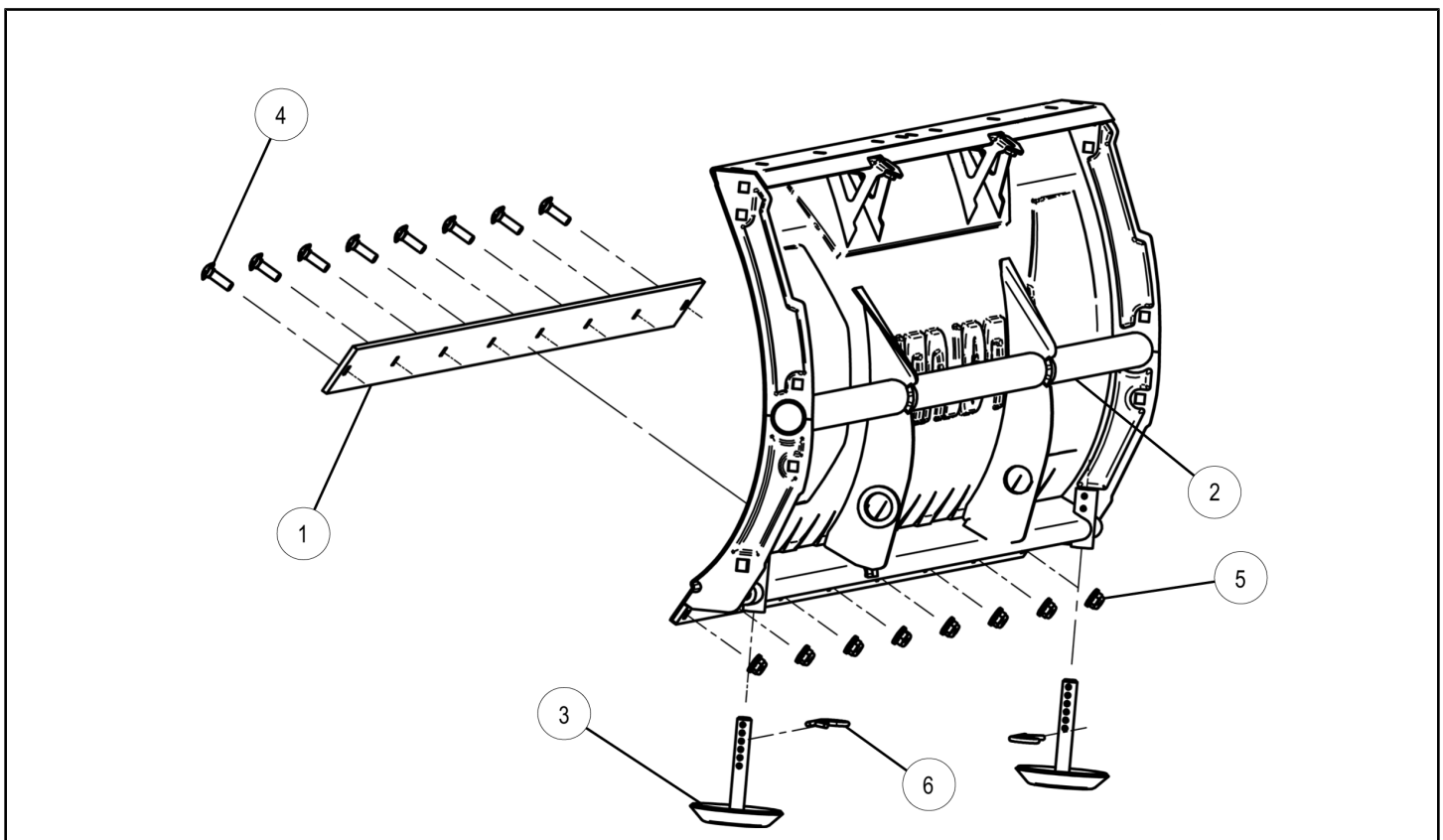
Plow Frame No. 2880260

BEFORE YOU BEGIN

Read these instructions and check to be sure all parts and tools are accounted for. Please retain these installation instructions for future reference and parts ordering information.

KIT CONTENTS

This Kit includes:



REF	QTY	PART DESCRIPTION	PART NUMBER
1	1	Blade (72")	-
2	1	Wear Bar	-
3	2	Skid Shoe	-
4	8	Carriage Bolt - M8 X 1.25 X 25 mm	-
5	8	Nylon Nut - M8 X 1.25	-
6	2	R-Pin	-
	1	Instructions	9925223

TOOLS REQUIRED

- Safety Glasses
- 13 mm Wrench And Socket

IMPORTANT

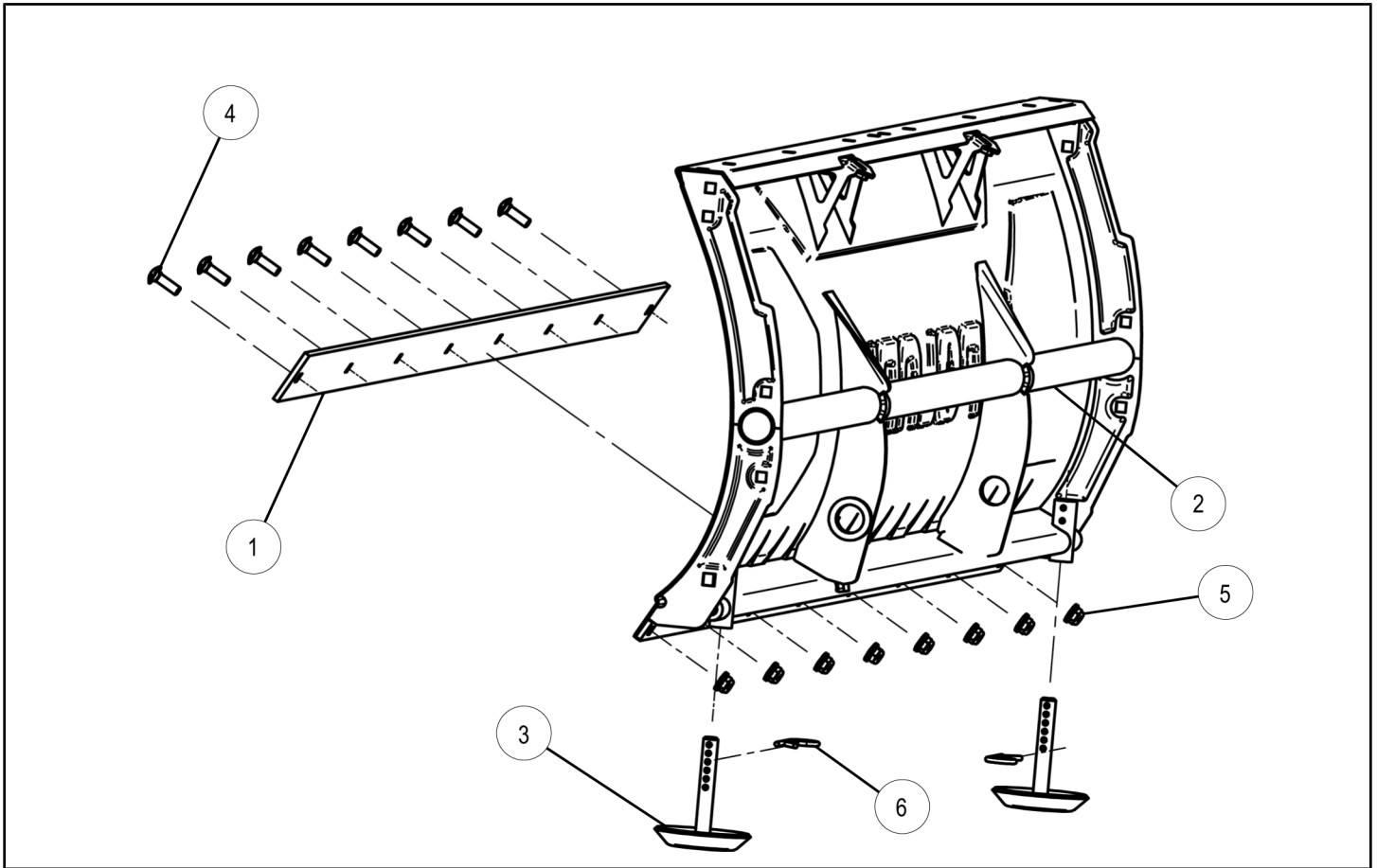
Your GLACIER PRO BLADE (72") KIT is exclusively designed for your vehicle. Please read the installation instructions thoroughly before beginning. Installation is easier if the vehicle is clean and free of debris. For your safety, and to ensure a satisfactory installation, perform all installation steps correctly in the sequence shown.

ASSEMBLY TIME

Approximately 30 minutes

INSTALLATION INSTRUCTIONS

1. Assemble as illustrated.



Spare Kits

REF	PART DESCRIPTION	WEAR BAR KIT P/N 2204976	SKID SHOE KIT P/N 2205071	R-PIN KIT P/N 2205070
1	Blade (72")			
2	Wear Bar	1x		
3	Skid Shoe		2x	
4	Carriage Bolt - M8 X 1.25 X 25 mm	8x		
5	Nylon Nut - M8 X 1.25	8x		
6	R-Pin		2x	2x