

# STEEL ROOF KIT



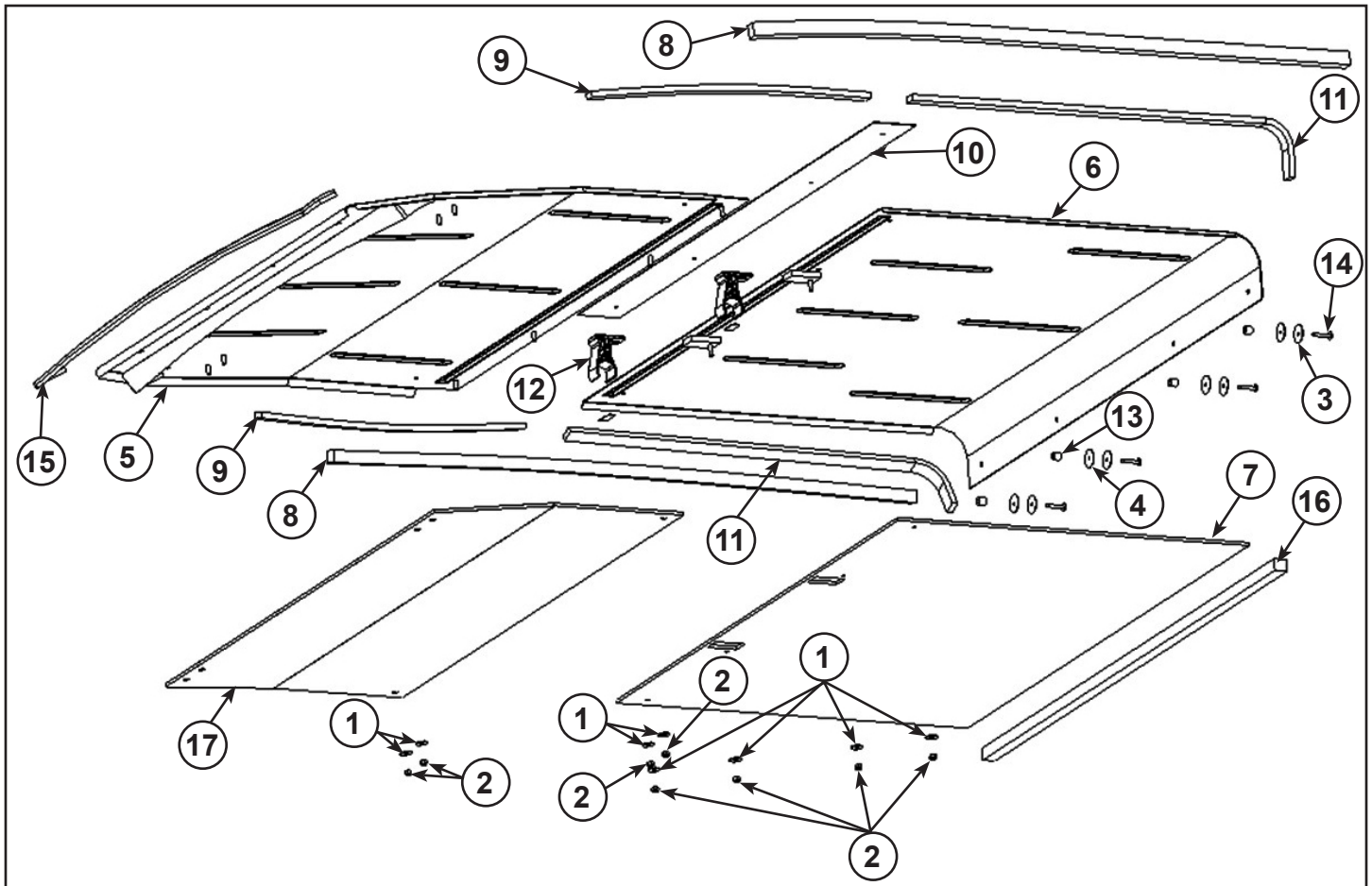
P/N 2880334

## APPLICATION

RANGER 900 CREW AND 570 FULL SIZE CREW

## BEFORE YOU BEGIN

Read these instructions thoroughly and make sure all parts and tools are accounted for. Please retain these installation instructions for future reference and parts ordering information.



## KIT CONTENTS

Ref	Qty	Part Description	Part Number
1	8	Fender Washer Black Zinc Plated, M8	-
2	8	Hexagonal Nylon Nut CL8, M8-1.25	-
3	4	Washer, M6x38.1	-
4	4	Sealed Washer, M6x38.1	-
5	1	Front Main Plate	-
6	1	Rear Main Plate	-
7	1	Insulation Foam Rear	-
8	2	Vehicle Seal	-
9	2	Front Roof Seal	-
10	1	Rubber seal	-
11	2	Rear Roof Seal	-
12	2	Clamp	-
13	4	Spacer	-
14	4	Screw, Cap, M6x1.0x40	-
15	1	Bulb Seal	-
16	1	Foam Strip 1.00x1.125x53.35	-
17	1	Insulation Foam	-
	1	Instructions	9925891

## TOOLS NEEDED

Safety Goggles      Torx Drivers

## APPROXIMATE ASSEMBLY TIME

20 min

## IMPORTANT

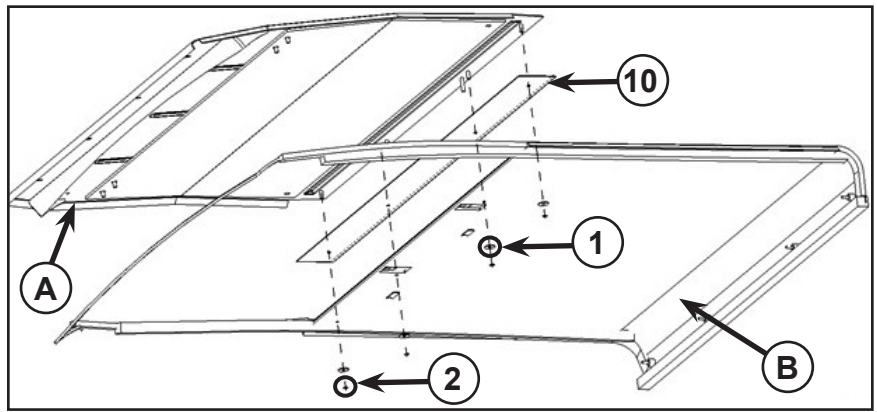
Your Polaris STEEL ROOF KIT is exclusively designed for your vehicle. Please read the installation instructions thoroughly before beginning. Installation is easier if the vehicle is clean and free of debris. For your safety, and to ensure a satisfactory installation, perform all installation steps correctly in the sequence shown.

## INSTALLATION INSTRUCTIONS

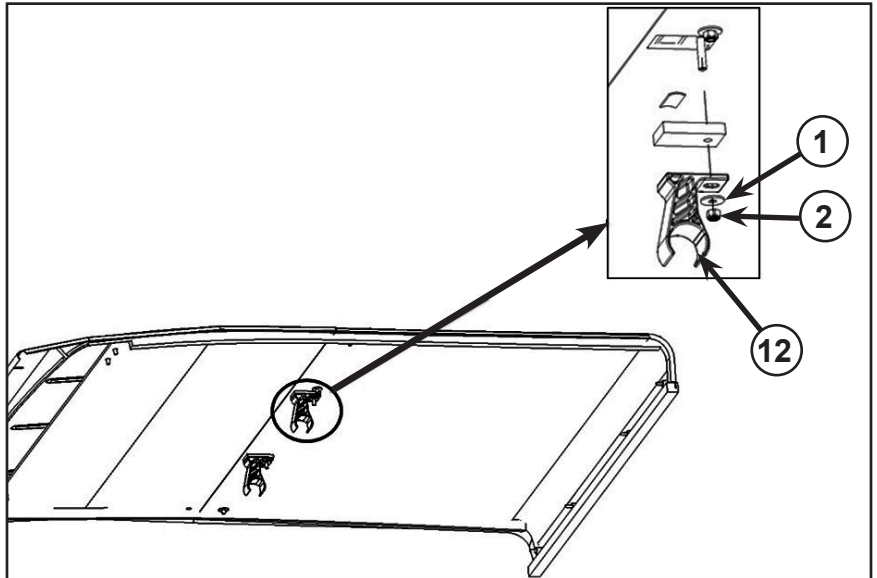
1. Place the vehicle in “**PARK**”. Turn the key to “**OFF**” position and remove from the vehicle.

2. Place the front steel roof plate (A) on rear steel roof plate (B) and tighten by fastening four M8 nuts (2) and relevant washers (1) as shown in figure.

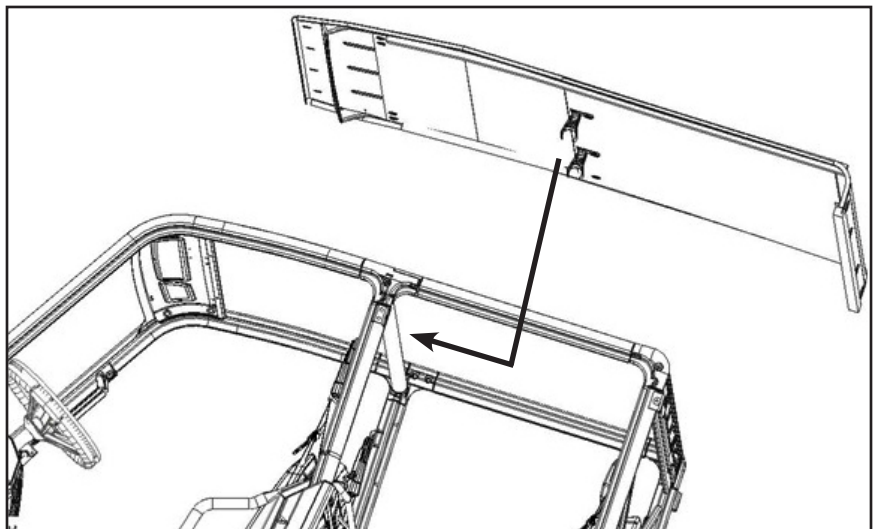
**NOTE:** Place rubber seal (10) in between steel roofs.



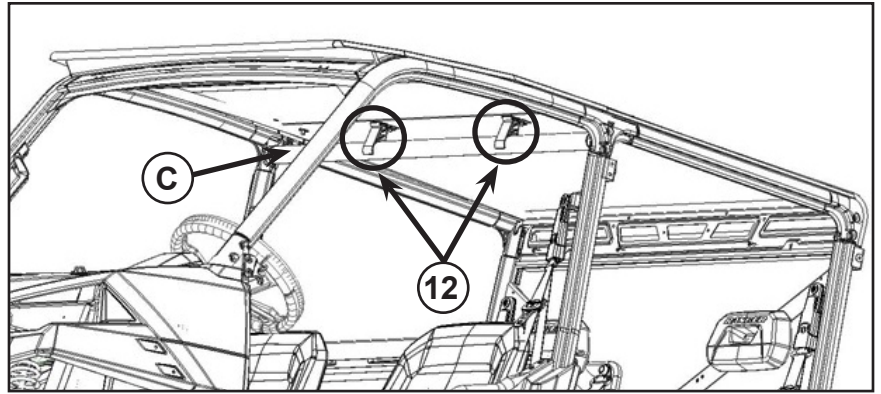
3. Attach two clamps (12) to the steel roof assembly as shown and secure it by tightening M8 nut (2) and relevant washer (1).



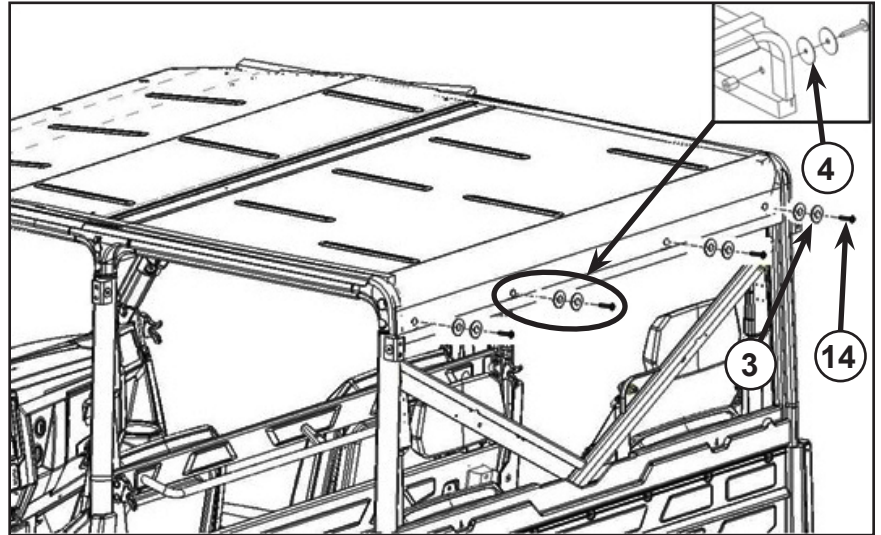
4. Place the roof on the top of the vehicle. See figure.



5. Push the center supports on cab frame tube (C), so that these can be fit onto the tube. See figure.



6. Secure the roof with four M6 screws (14) and relevant washers (3 and 4) from the rear of the vehicle through the holes in the roof and into the ROPS frame. Tighten screws to torque 6 ft. lbs. (8.13 Nm). See figure.



7. Install the four M8 nuts (2) to secure the front of roof to upper frame on the vehicle. This will also help to compress the front seal (9) for best sealing in inclement weather. Torque to 16 ft. lbs. (21.7 Nm). See figure.

