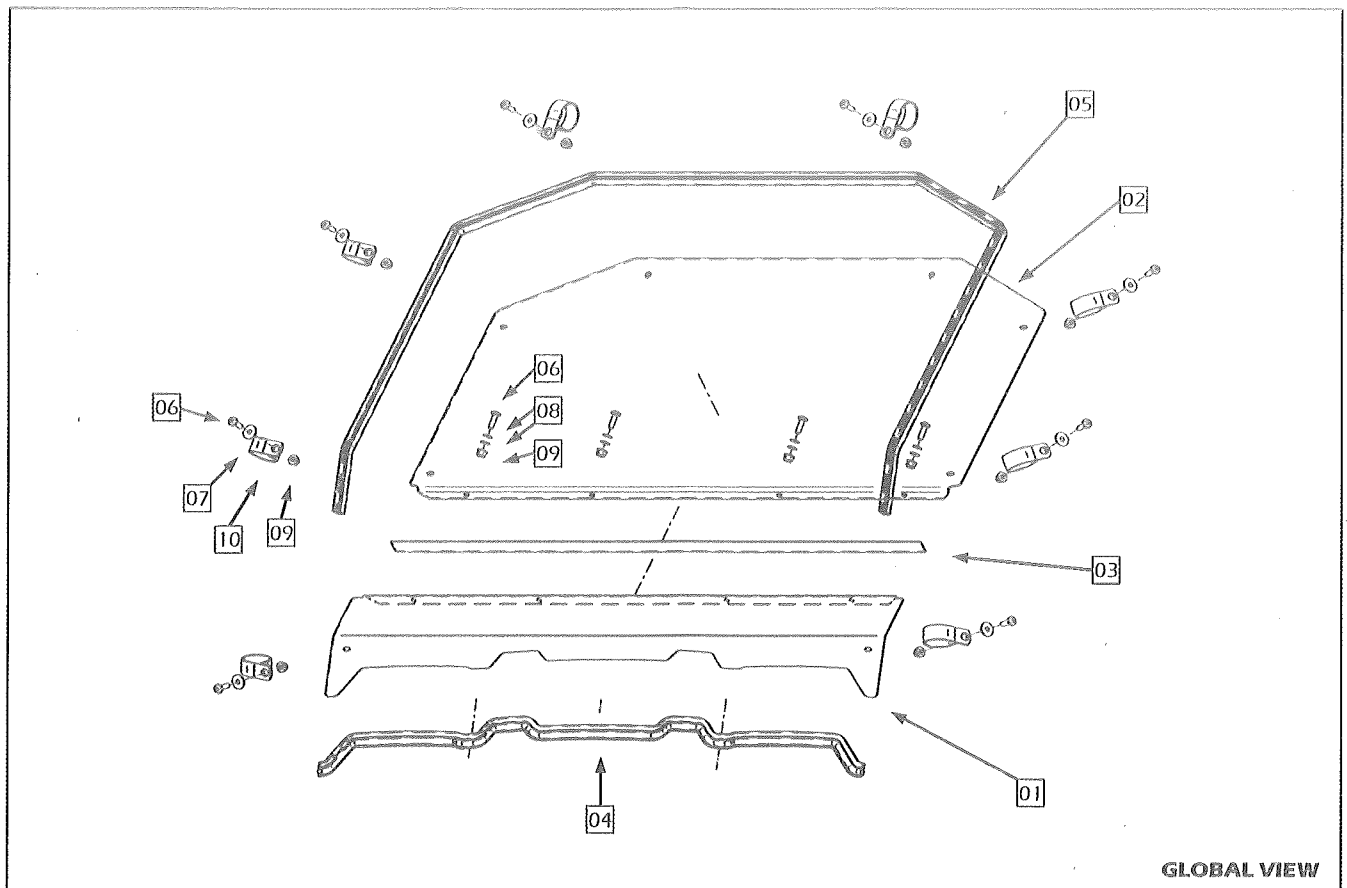


Application: Polaris Ranger Model, 2009 and up

IMPORTANT: Your Polaris accessory is exclusively designed for your vehicle. Before beginning, please read these instructions and make sure that all parts and tools are at your disposal. Keep these instructions for future reference or for any information request. To facilitate installation, make sure that your vehicle is clean and free of any debris.

Content of the kit:

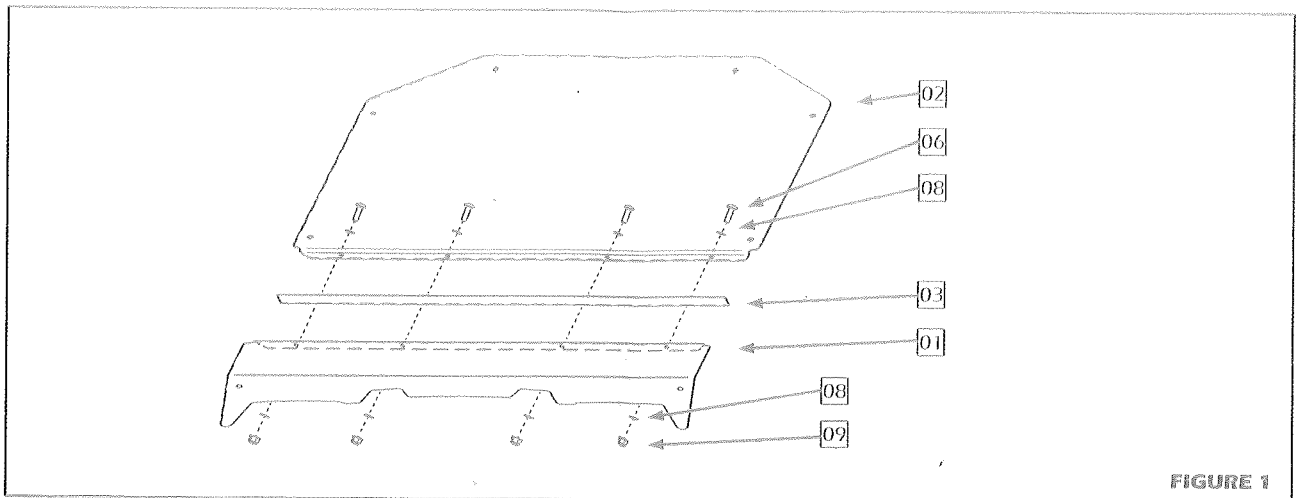
Content of the kit:			Required tools:				
Ref.	Description	Qty	Ref.	Description	Qty	Description	Qty
01	Lower windshield	1	06	M8 x 25 mm Torx button head cap screw	12	12-mm wrench	1
02	Upper windshield	1	07	M8 fender washer	8	13-mm wrench	1
03	Foam trim	1	08	M8 flat washer	8	12-mm socket	1
04	Sealing joint of the lower windshield	1	09	M8 hexagonal locknut	12	13-mm socket	1
05	Sealing joint of the upper windshield	1	10	1.75-in. P-clamp	8	T40 Torx wrench	1



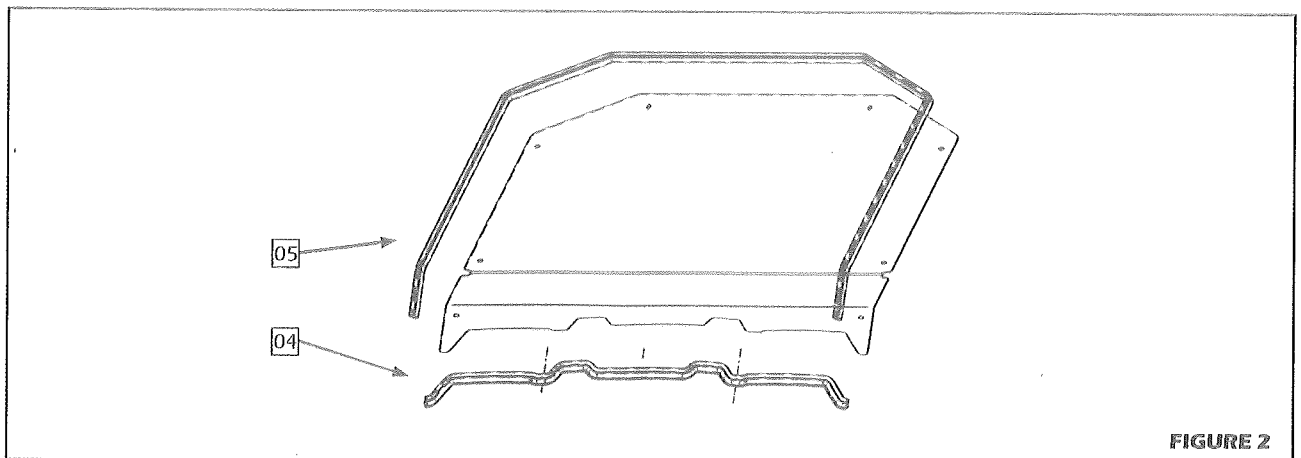
INSTALLATION (approximate installation time: 30 minutes)

Windshield Assembly

1. Place the lower windshield [01], the foam trim [03] and the upper windshield [02] together. Assemble them using four (4) button head screws [06], eight (8) M8 flat washers [08] and four (4) hexagonal locknuts [09].
NOTE: Do not over torque attachments (25 lbs-ft maximum) (Fig. 1).



2. For easy mounting, apply a sealing joint [05] to the upper windshield and a sealing joint [04] to the lower windshield. Press the upper windshield on the lower windshield and cut the excess sealing joint, if needed (Fig. 2).



Installation of the Windshield on the Vehicle

3. Place the windshield assembly on the vehicle. Place the eight (8) P-clamps [10] along the cabin frame perimeter. Attach the windshield by assembling the eight (8) button head screws [06], the eight (8) M8 fender washers [07], the eight (8) P-clamps [10] and the eight (8) locknuts [09] (see global view).
NOTE: Do not over torque attachments (25 lbs-ft maximum).



CLEANING

1. Use a high pressure water sprayer to rinse the large dirt particles from the windshield.
2. Once most of dirt is removed, use lukewarm soapy water and a cotton terry cloth to wash all windshield components.
3. Rinse thoroughly and allow to air dry.
4. Use a premium plastic cleaner or polish such as Plexus[®] or Novus[®] to properly clean the viewing area of the windshield (never use paper towels, only use cotton terry cloths).