

Contents

Select Language ▼

Powered by Google Translate

Roof Kit

P/N 2883780; 2883800

Before You Begin

Before beginning assembly, inspect the kit and its component(s) to be sure all parts and tools are accounted for and not damaged. If missing parts or parts are damaged, please contact your Selling Dealer for assistance.

If your accessory was purchased online, please contact POLARIS customer service at **1-800-POLARIS** (US & Canada only).

Application

Verify accessory fitment at www.polaris.com.

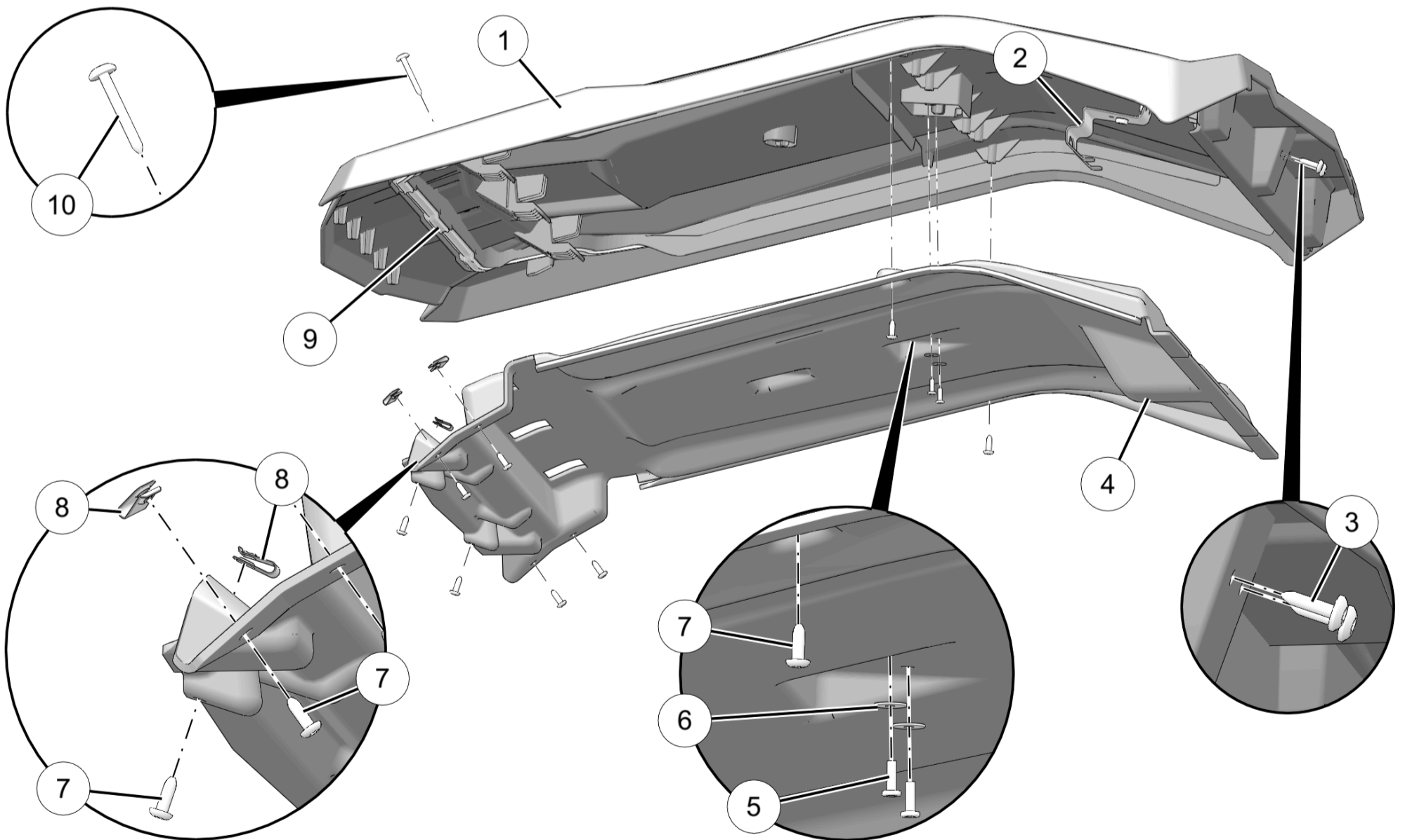
Kit Contents

NOTICE

Kit P/N 2883800 shown; Kit P/N 2883780 similar except as noted below.

NOTICE

XXX = Polaris® color code (For example: 266 = Black)



Ref	Qty	Part Description	P/N Available Separately	Available Service Kit
1	1	Roof Panel	n/a	n/a

Ref	Qty	Part Description	P/N Available Separately	Available Service Kit
2	1	Bracket	5266575-458	2207763
3	2	Screw, Torx® Truss Head (M6 x 1.0 x 25 mm)	7519650	2207763
4	1	Liner, Roof (Kit P/N 2883800 only)	5814805	n/a
5	2	Screw, Torx® Pan Head #10 X 5/8 in (Kit P/N 2883800 only)	7518238	2207763
6	2	Washer (Kit P/N 2883800 only)	7556034	2207763
7	8	Screw, Torx® Truss Head #14 X 3/4 in (Kit P/N 2883800 only)	7519045	2207763
8	6	Nut, Clip (Kit P/N 2883800 only)	7547674	2207763
9	1	Seal	5415720	n/a
10	2	Screw, Torx® Truss Head (M6 x 1.0 x 50 mm)	7519841	2207763

Tools Required

- Safety Glasses
- Screwdriver Set, Torx®
- Socket Set, Torx® Bit
- Torque Wrench

Important

Your Roof Kit is exclusively designed for your vehicle. Please read the installation instructions thoroughly before beginning. Installation is easier if the vehicle is clean and free of debris. For your safety, and to ensure a satisfactory installation, perform all installation steps correctly in the sequence shown.

Installation Instructions

Vehicle Preparation

General

1. Park vehicle on a flat surface.
2. Shift vehicle into PARK.
3. Turn key to OFF position and remove key.

Rear Speaker Removal (If Equipped)

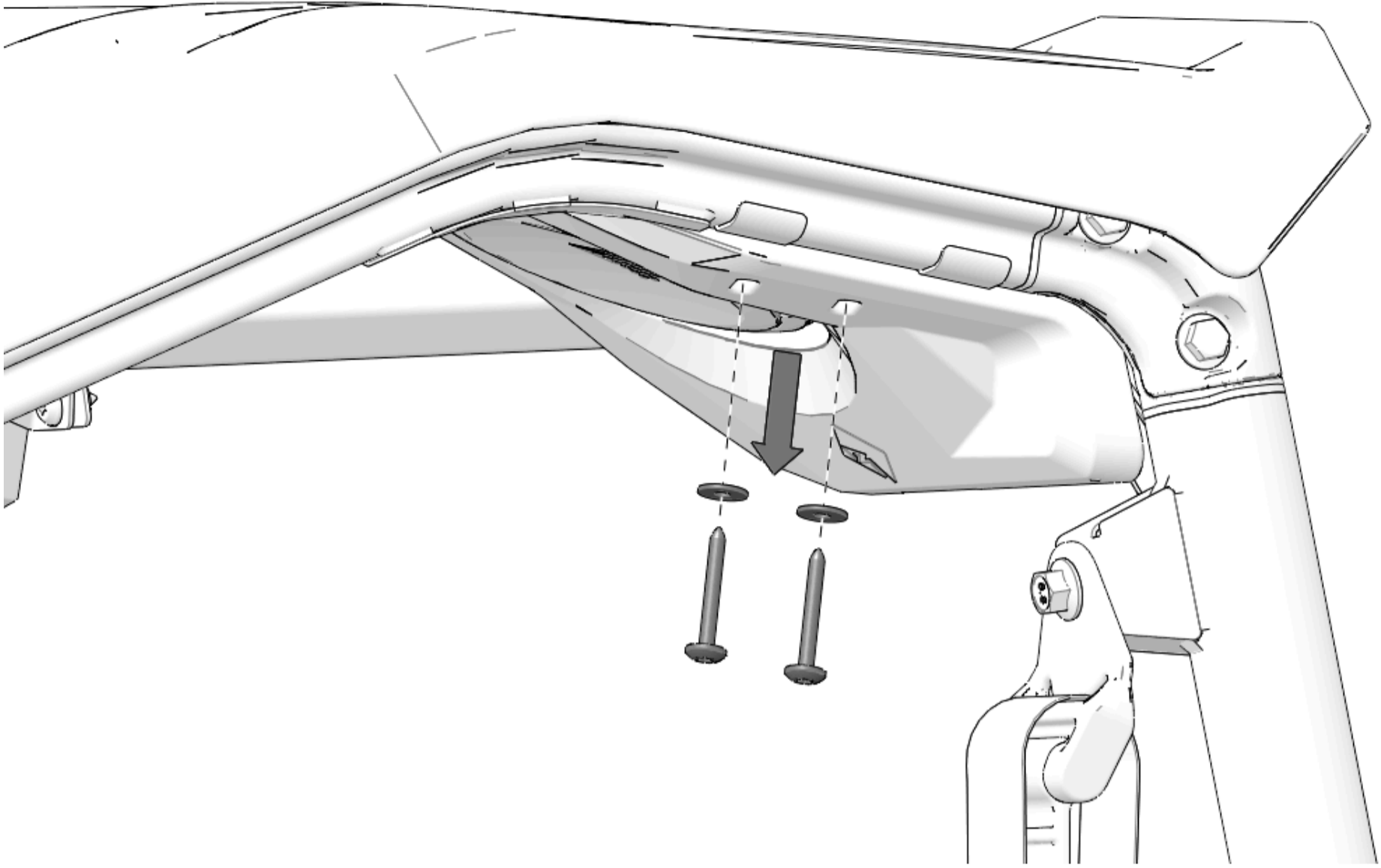
IMPORTANT

Speaker removal is necessary only when installing roof liner.

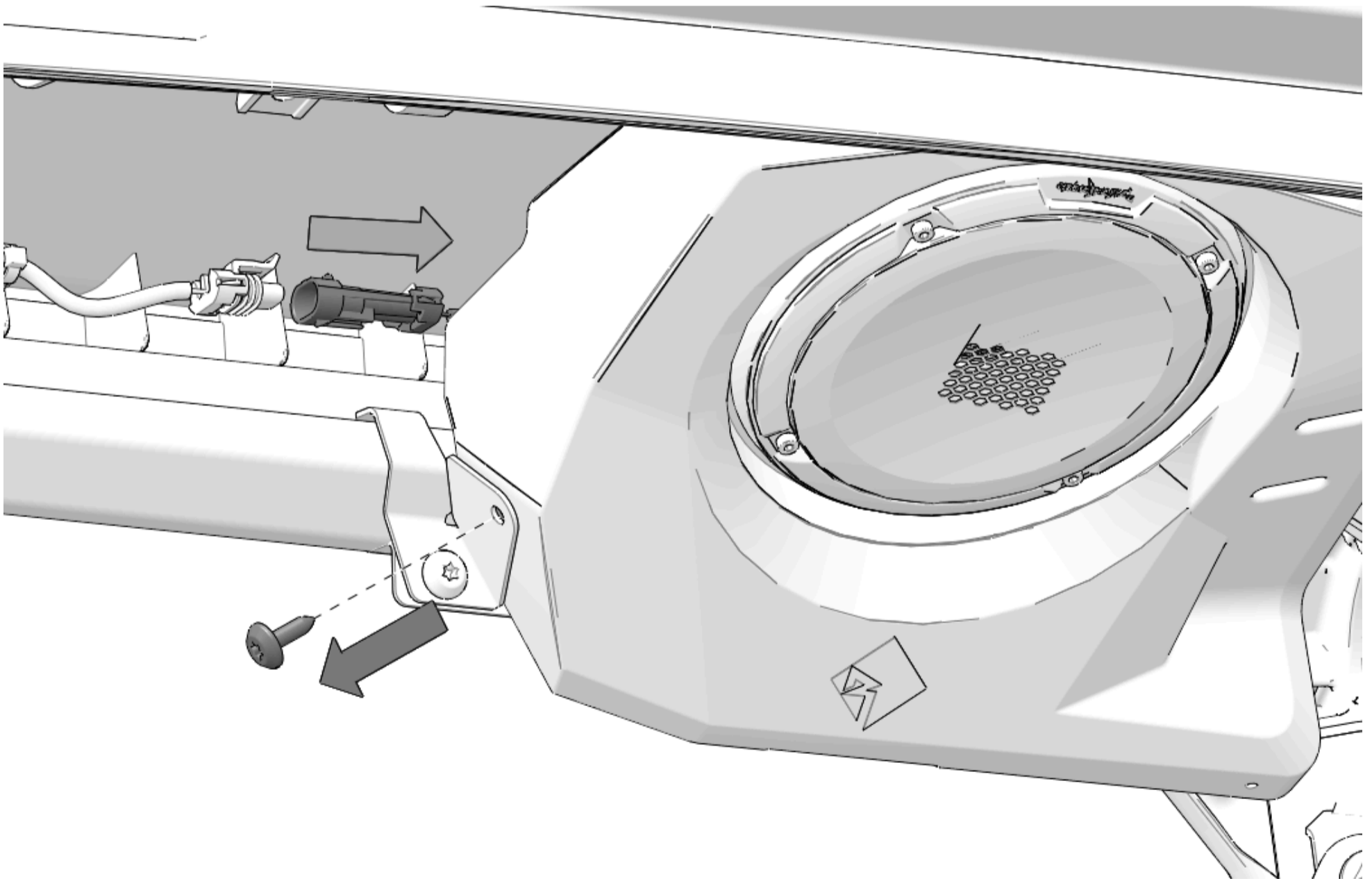
NOTICE

Left side shown; right side similar.

1. Remove and keep two screws from outer side of rear speaker.

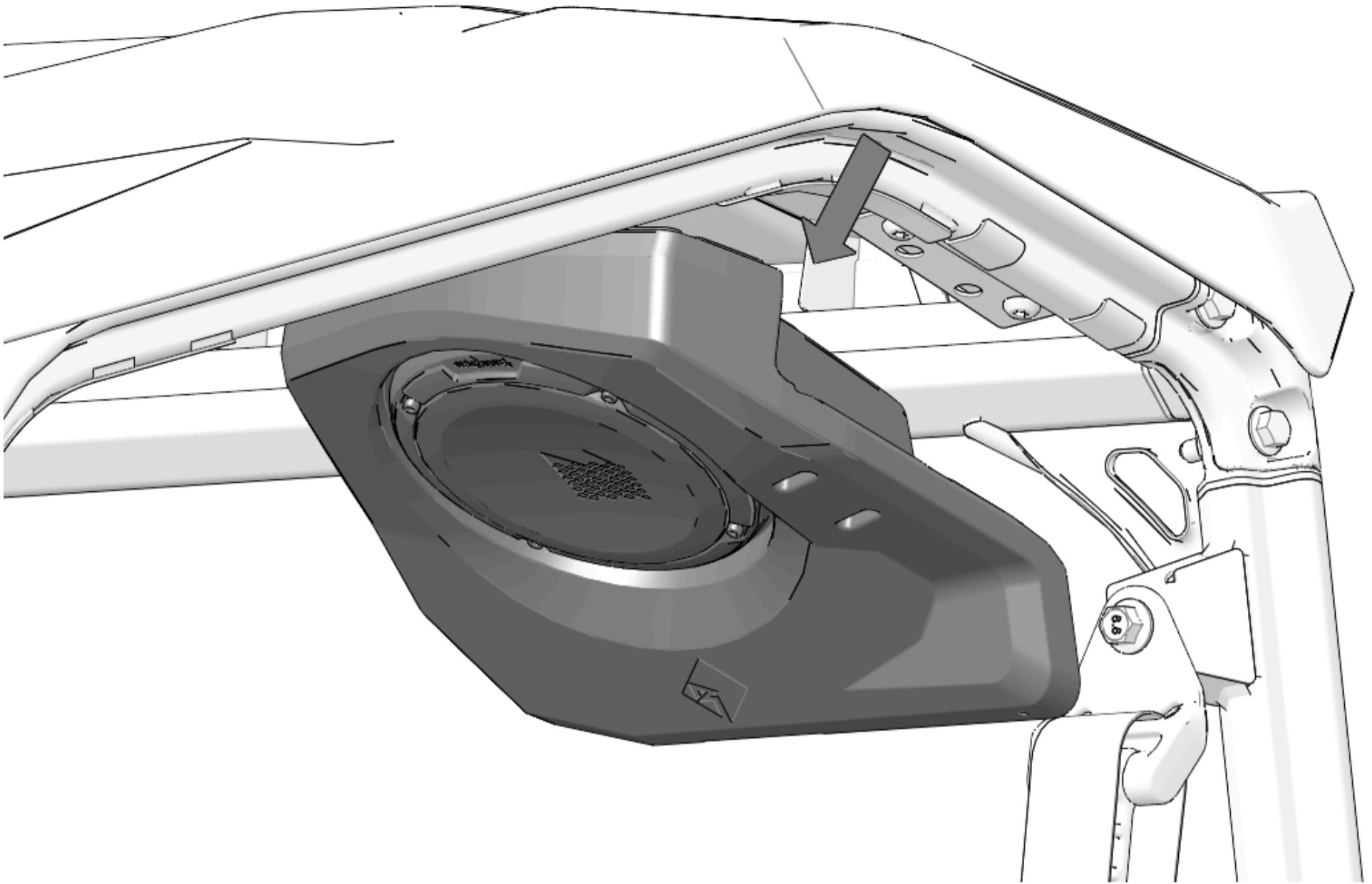


2. Remove and keep one screw from inner side of rear speaker.



3. Disconnect speaker wiring harness.

4. Remove speaker from vehicle.

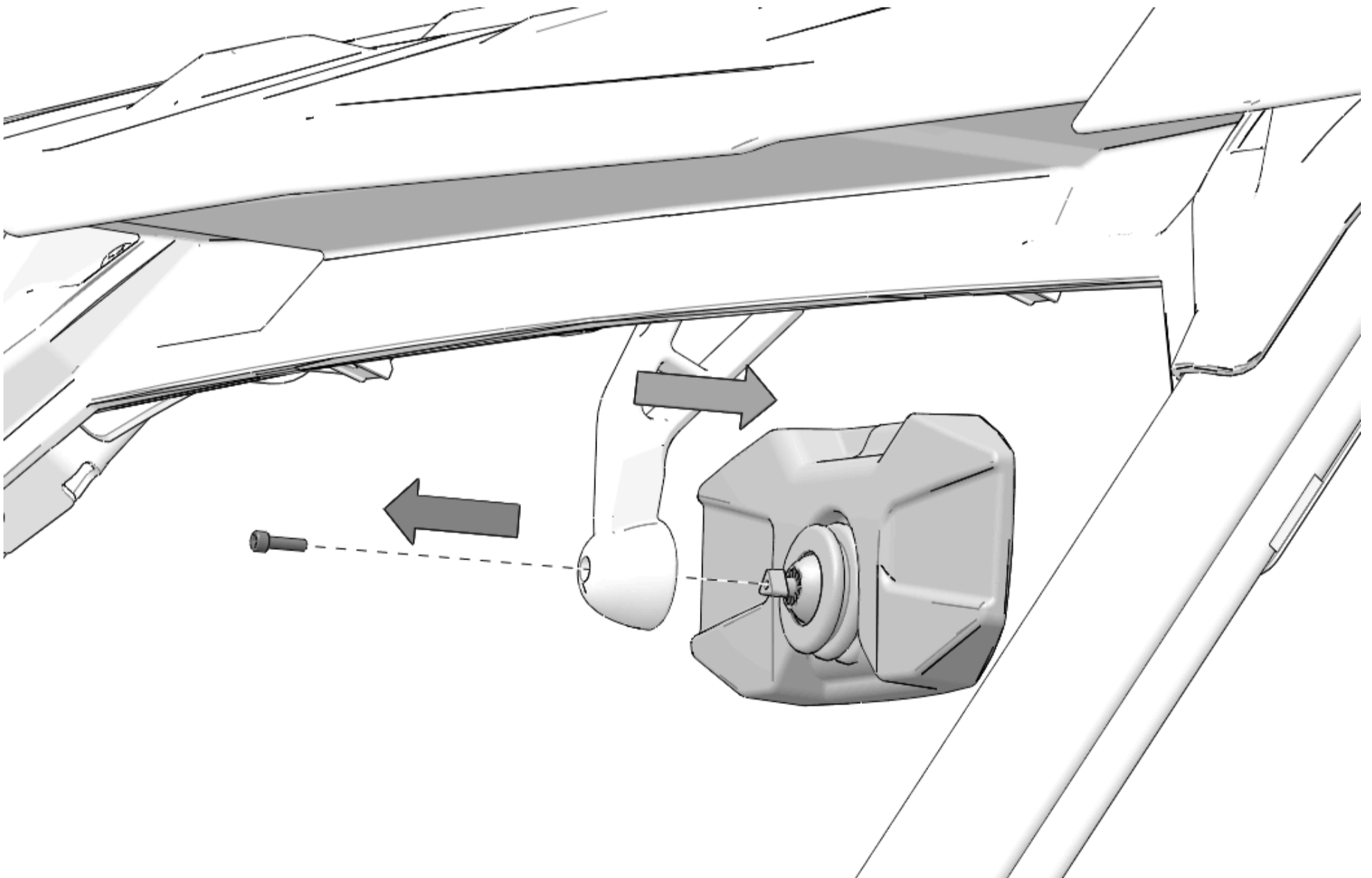


Mirror Removal (If Equipped)

IMPORTANT

Mirror removal is necessary only if installing roof liner.

1. Remove and keep lower screw from mirror mount. Remove and keep mirror.

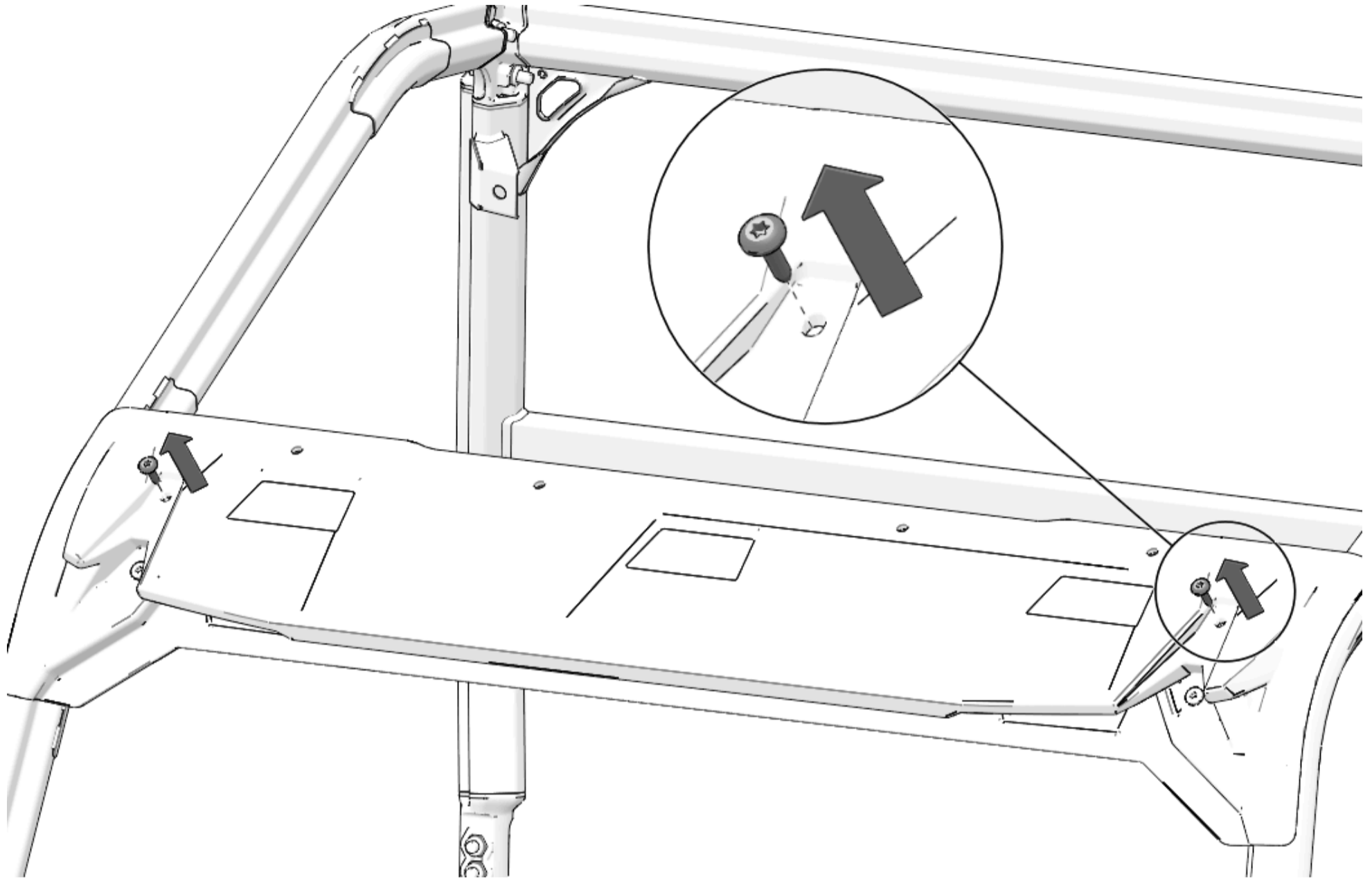


Install Roof Panel

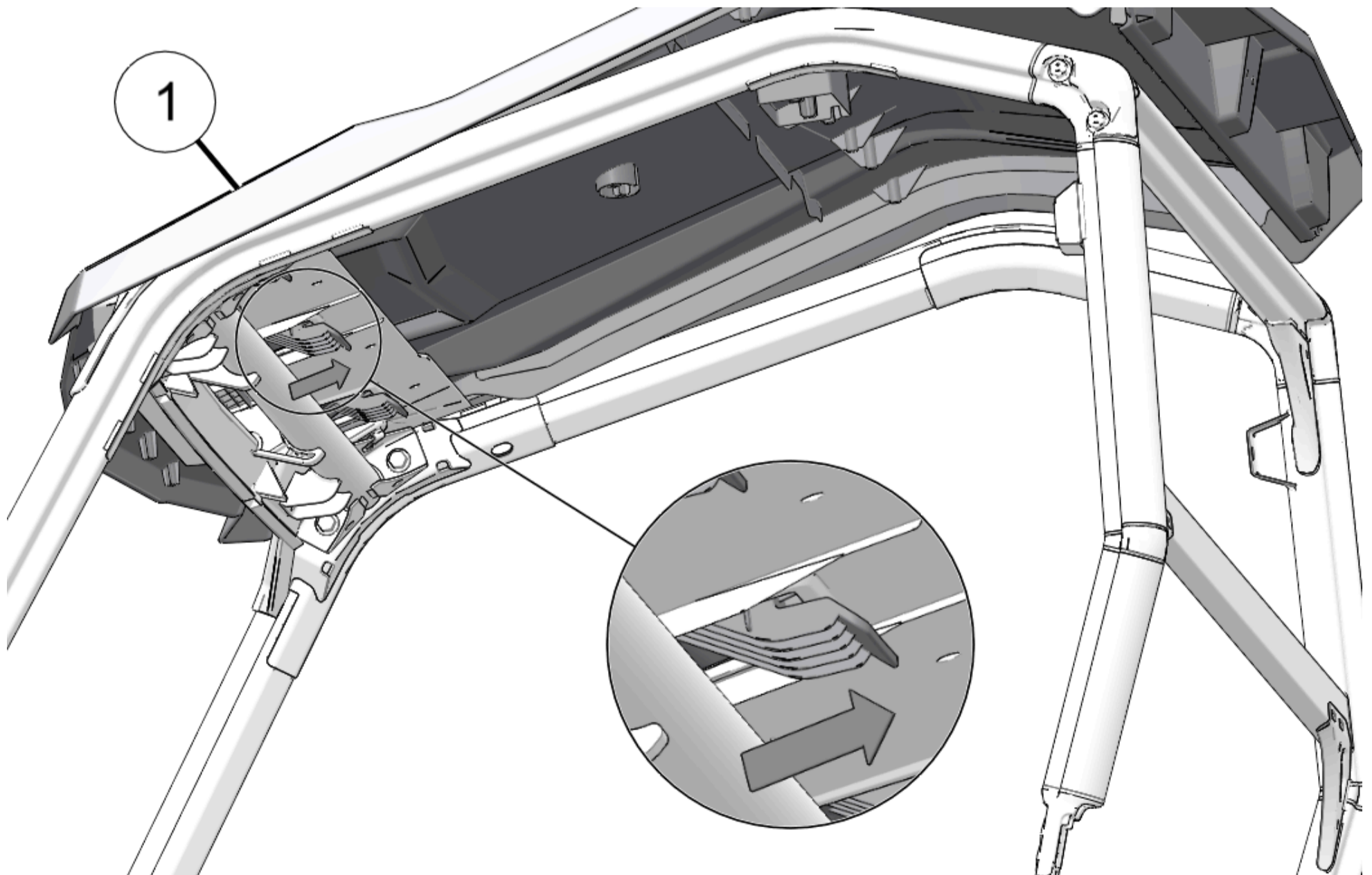
1. Remove upper screws from sides of ROPS visor. Screws will not be reused.

NOTE

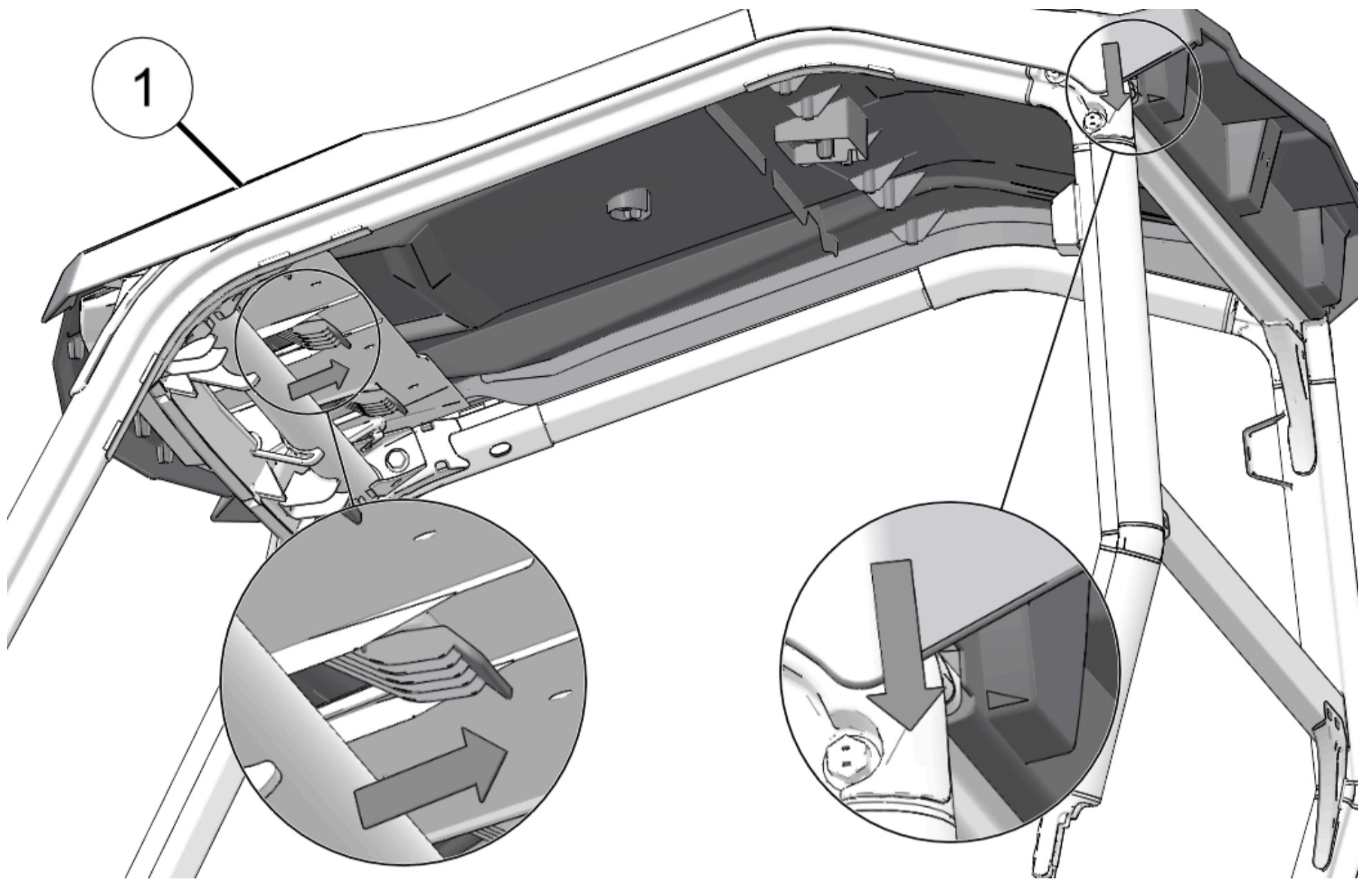
Do not remove two screws from lower front side of visor.



2. Set roof panel ① on top of ROPS. Install three hooks at front of roof through openings in ROPS visor.

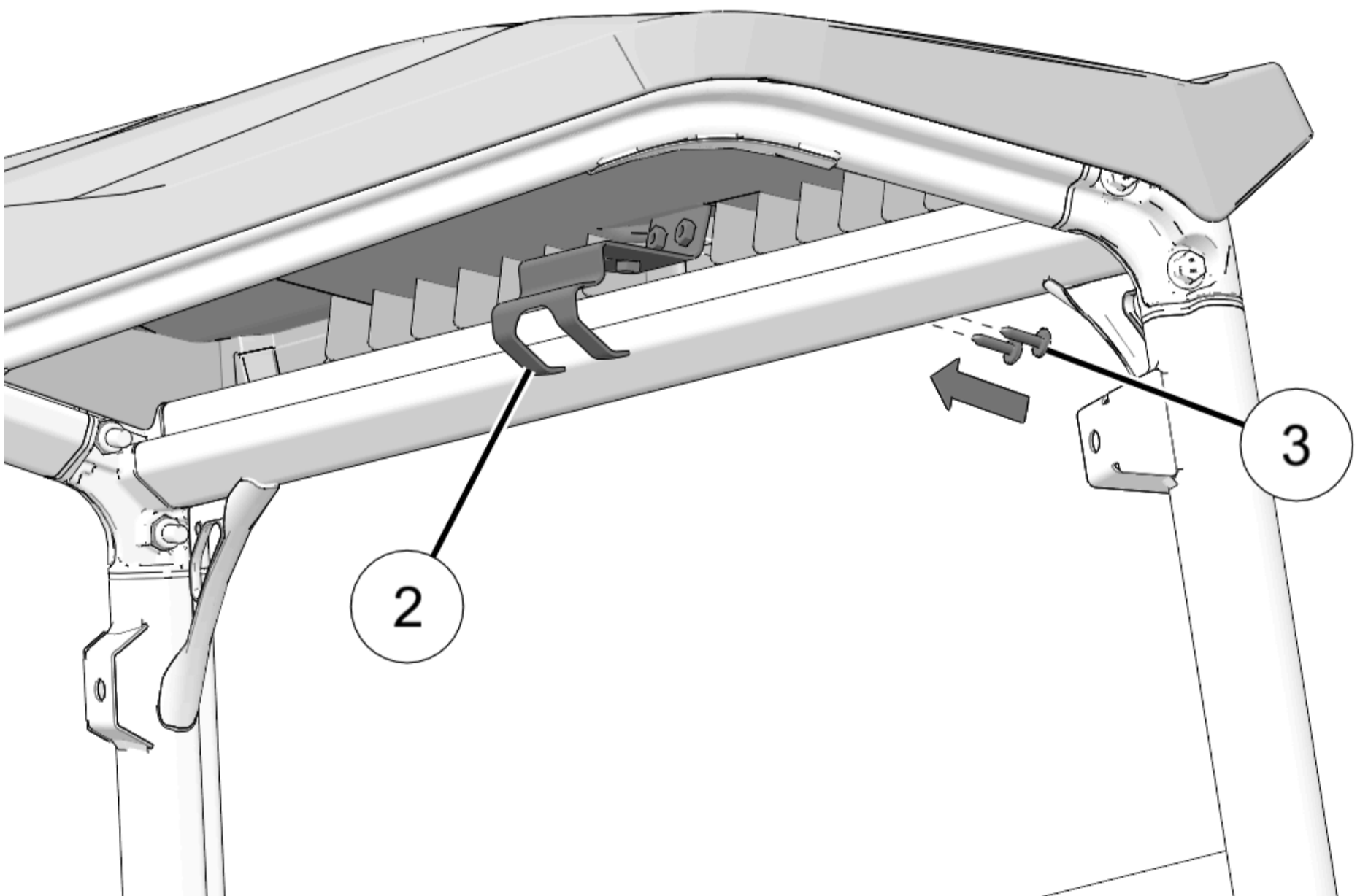


3. Move roof panel rearward until hooks lock into ROPS visor. Push rear edge of roof panel down until rear flange locks into B-pillar cross-member.



4. Attach rear of roof panel to B-pillar cross-member using bracket (2) and two screws (3).

DO NOT torque fasteners at this time.

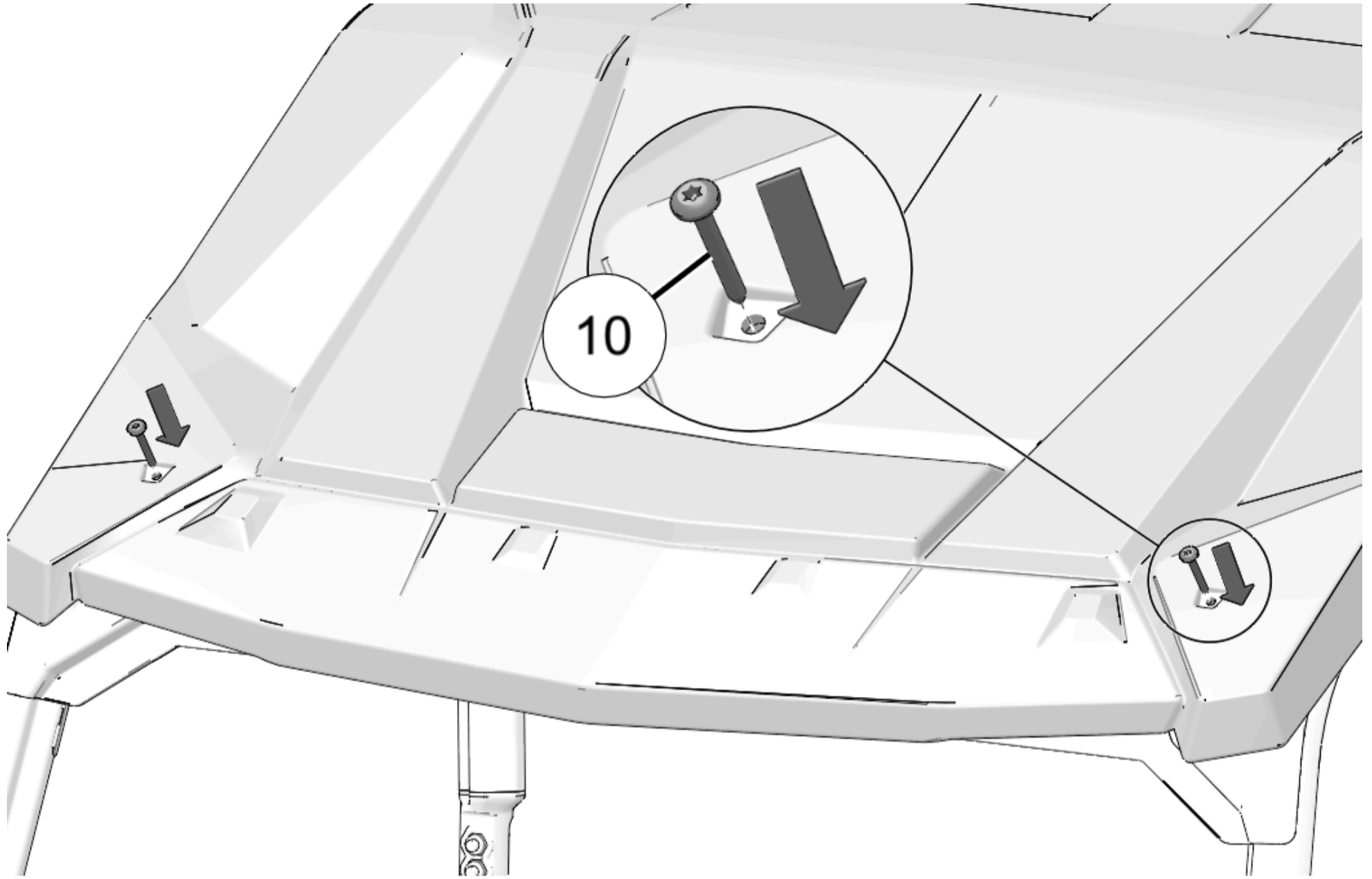


5. Attach front of roof panel to ROPS visor using two screws (10). Torque screws to specification.

TORQUE

Screws (10):

42 in-lbs (4.7 N·m)



6. Torque screws ③ to specification.

TORQUE

Screws ③:

42 in-lbs (4.7 N·m)

⚠ WARNING

If transporting vehicle in non-enclosed trailer then vehicle must FACE FORWARD, or roof must be removed.

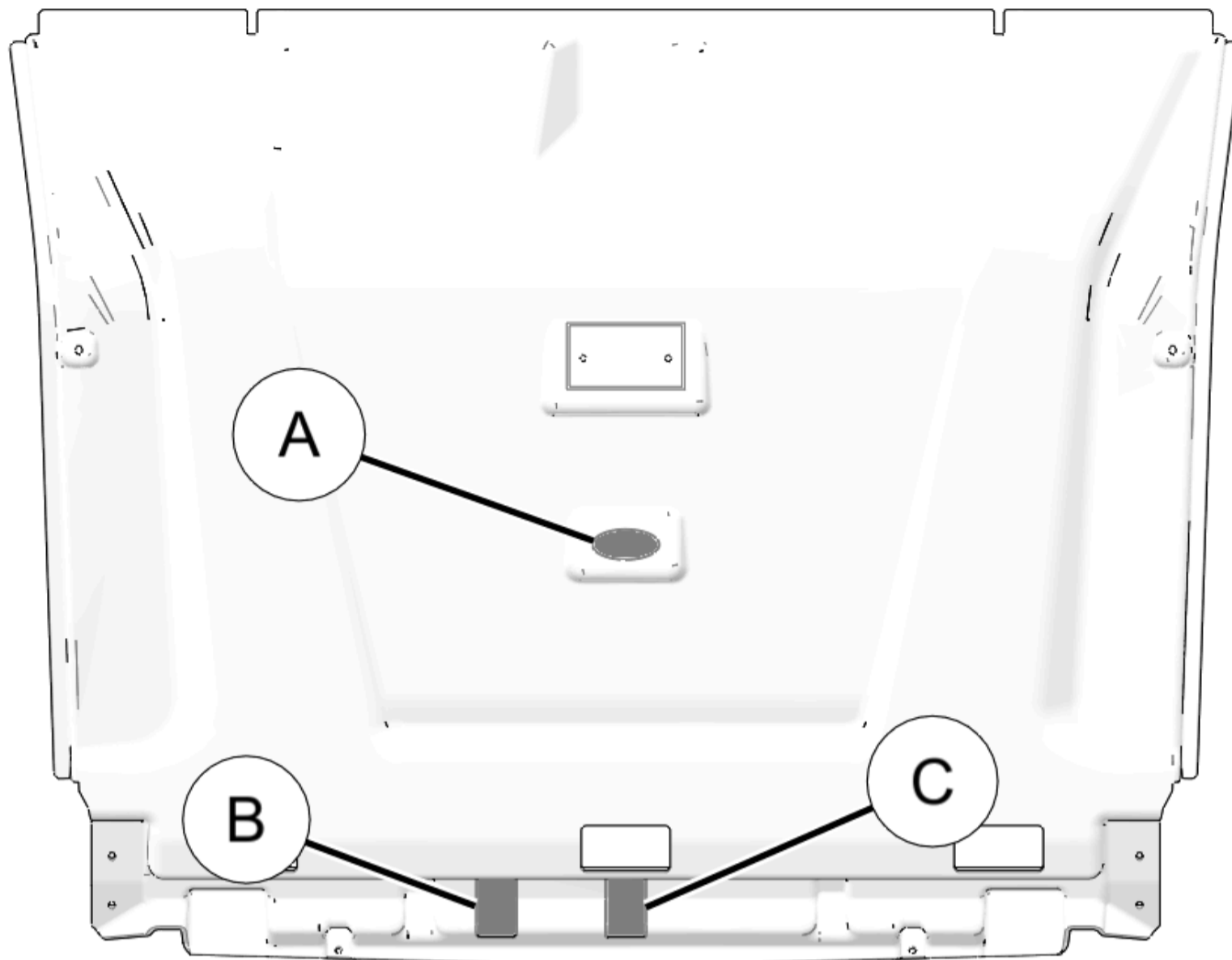
Failure to comply may allow airflow, vibration, or other factors to separate roof from vehicle and cause an accident, resulting in serious personal injury or death.

7. If installing kit P/N 2883800 then proceed to next section, **INSTALL ROOF LINER.**

INSTALL ROOF LINER (Kit P/N 2883800 only)

Liner Preparation

1. Top view of roof liner.



2. If vehicle is equipped with dome light, cut out marked area (A).
3. If vehicle is equipped with rear view mirror, mounted in center of vehicle, cut out marked area (C).
4. If vehicle is equipped with rear view mirror and windshield wiper, mirror mounting location will be offset toward right side of vehicle.

Place roof liner in vehicle to make sure mirror mount aligns with marked area (B).

If mirror mount and area (B) are aligned, cut out marked area (B).

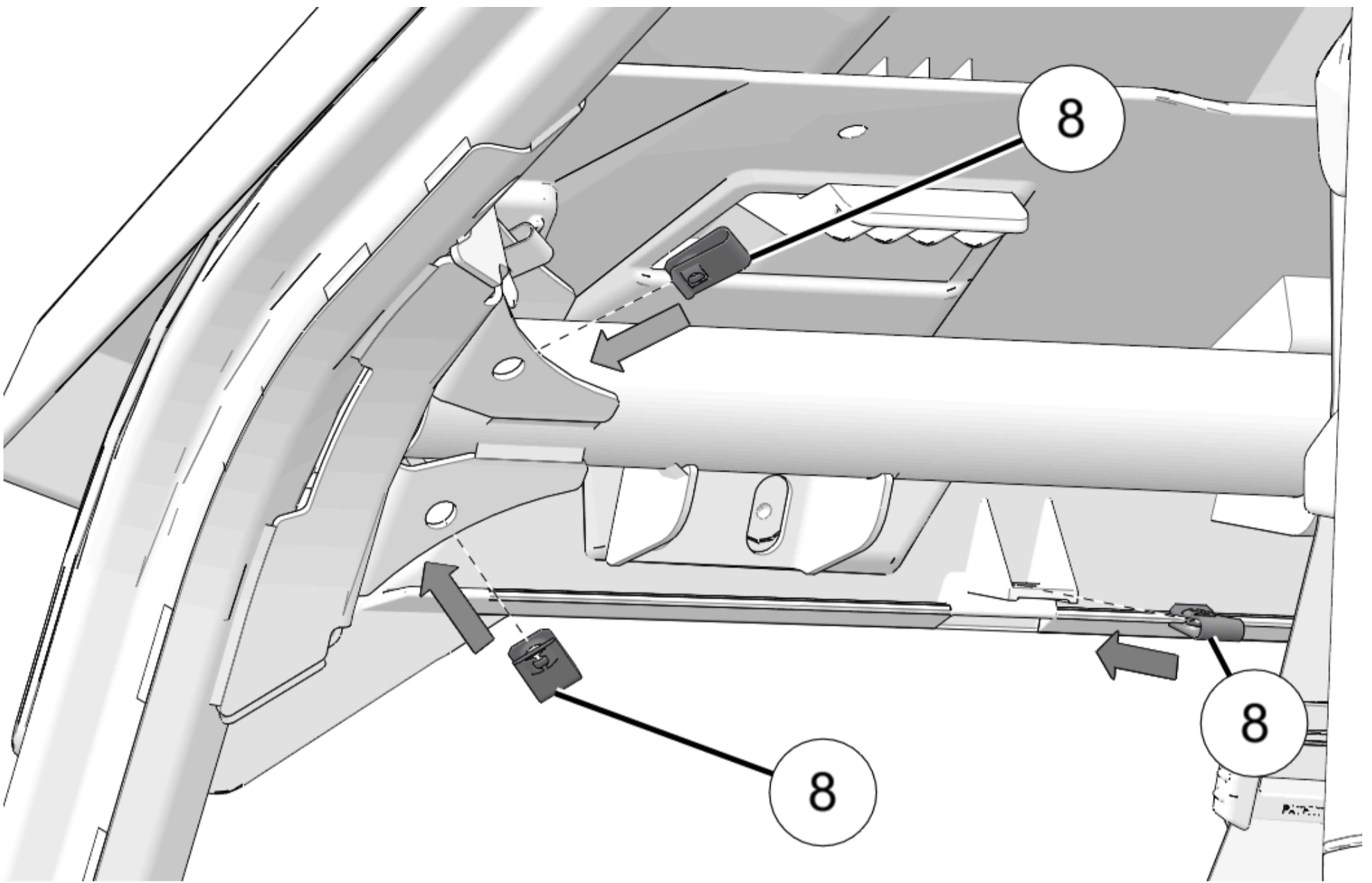
If mirror mount and area (B) are not aligned, adjust location of cutout area as needed.

Liner Installation

1. Install six U-nuts (8) at front end of ROPS.

NOTICE

Left side shown; right side similar.



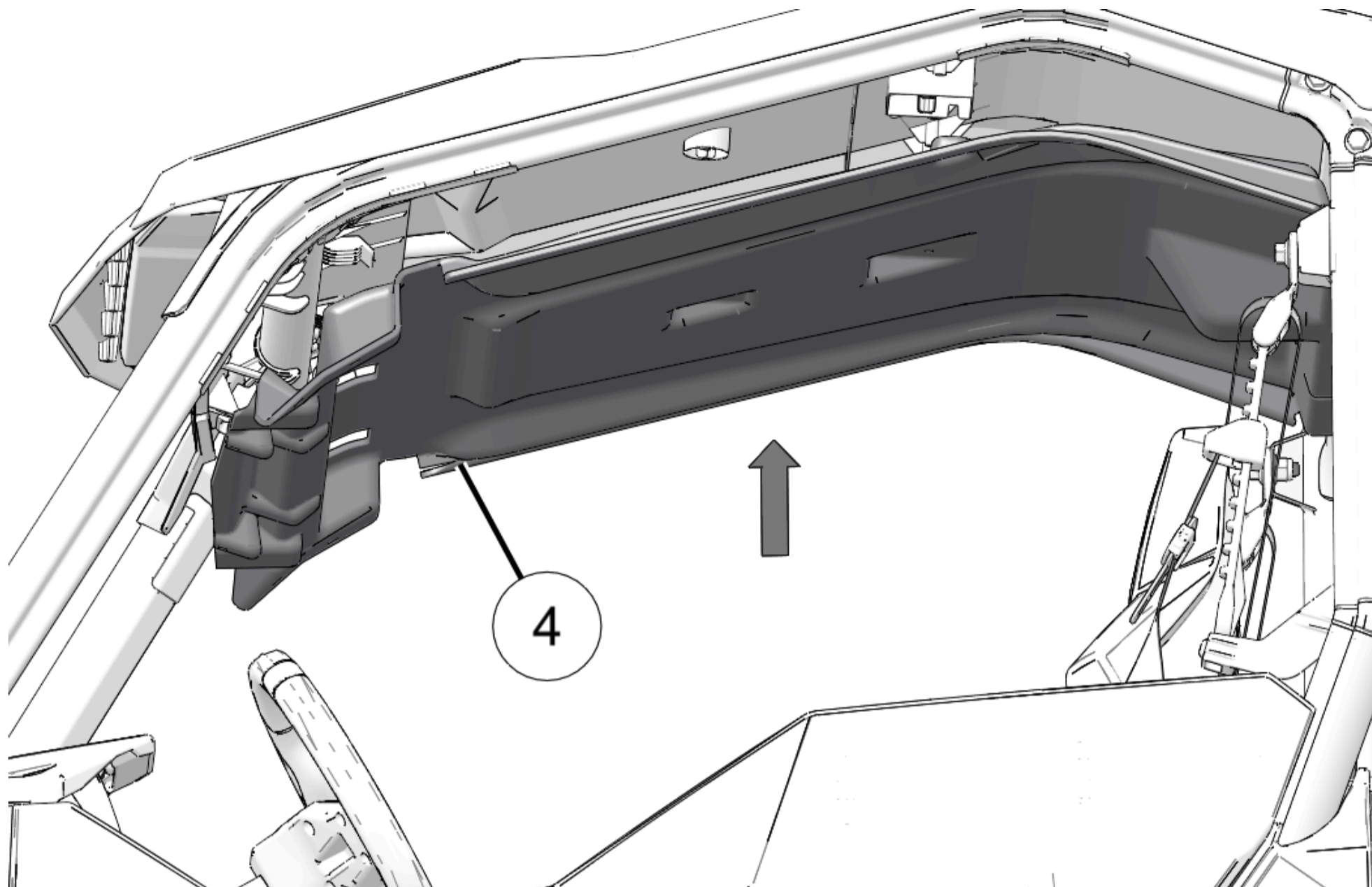
2. Install roof liner ④ in vehicle.

IMPORTANT

If vehicle is equipped with rear view mirror, make sure cutout fits correctly around mirror mount. Trim cutout or adjust position of mirror mount as needed.

NOTICE

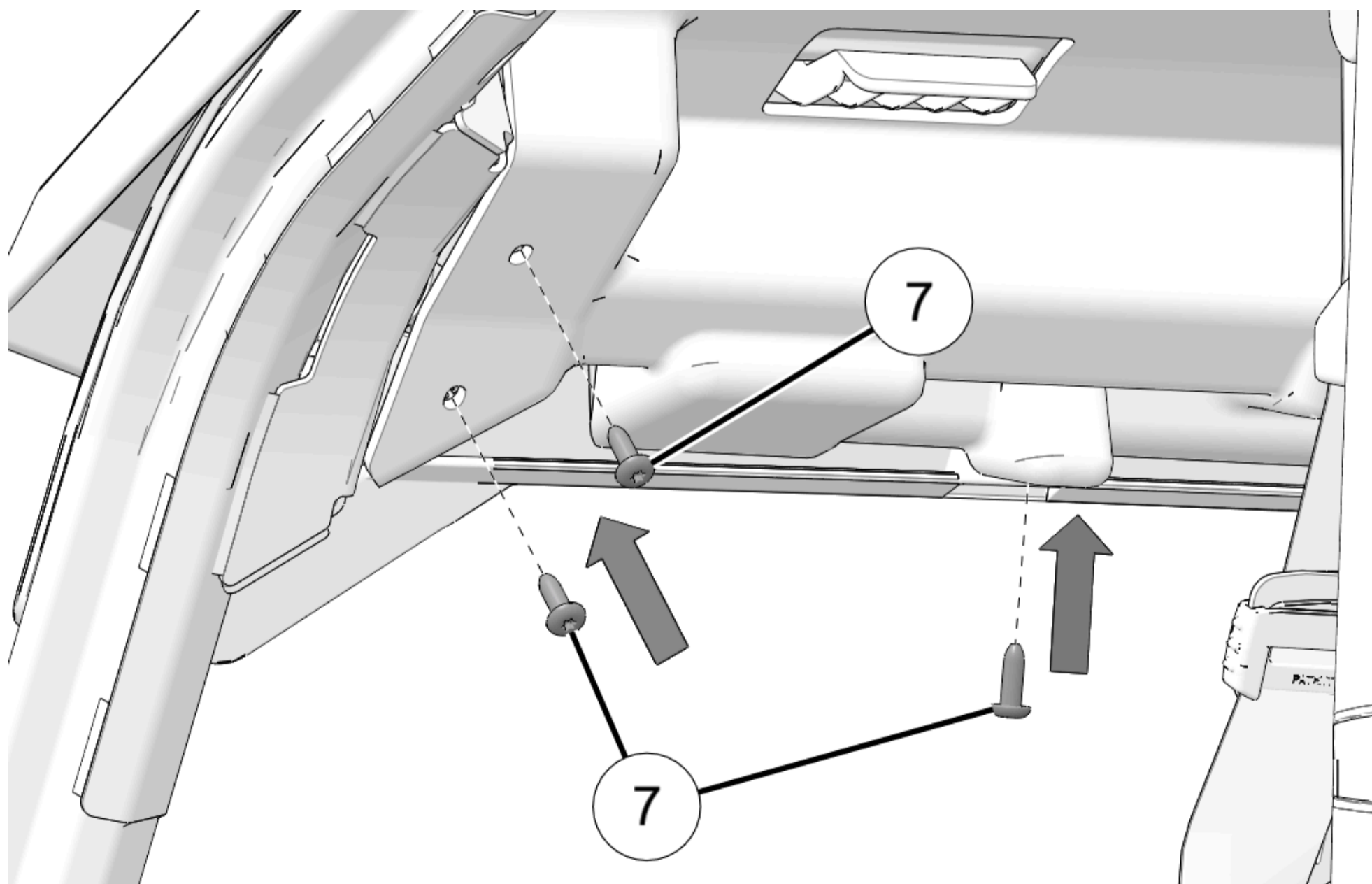
If vehicle is equipped with rear speakers, liner will be positioned above rear speaker brackets.



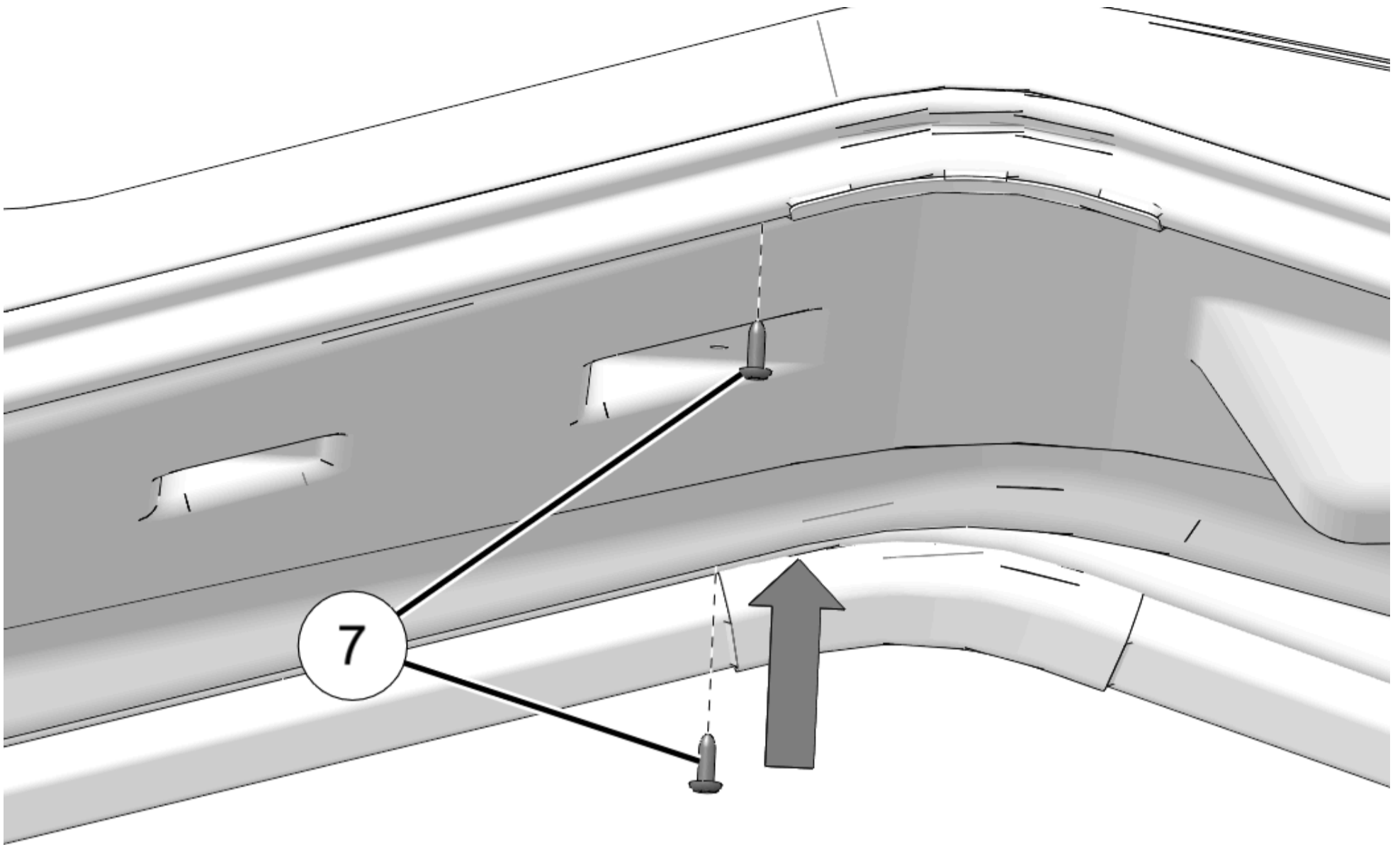
3. Install six screws ⑦ at front of liner.

NOTICE

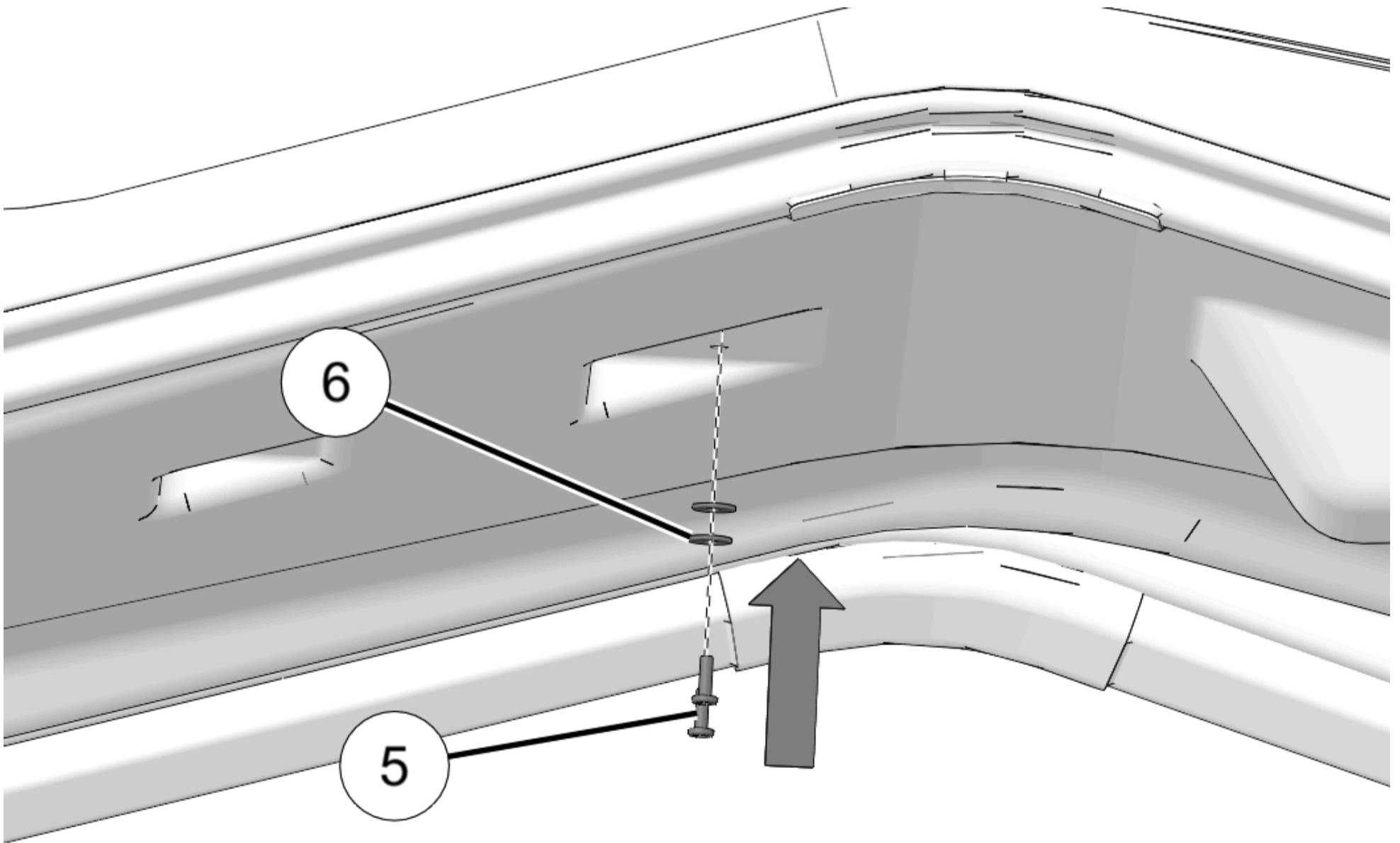
Left side shown; right side similar.



4. Install two screws ⑦ at left side and right side of liner.



5. Install two washers (6) and two screws (5) at center of roof liner.



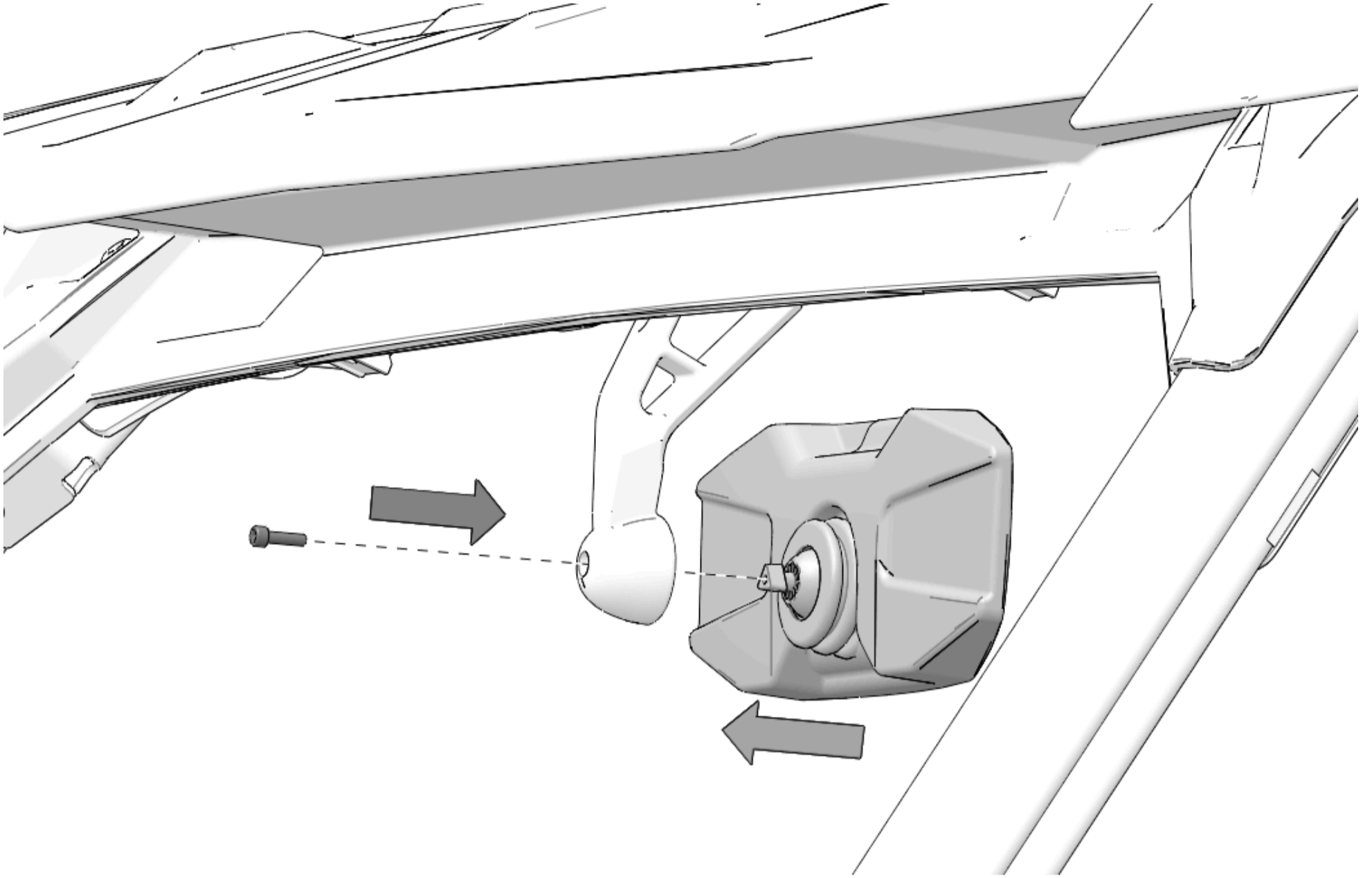
Vehicle Reassembly

Mirror Installation (If Equipped)

1. Install mirror and screw into mirror mount. Torque screw to specification.

TORQUE
Mirror Screw:

71 in-lbs (8 N·m)

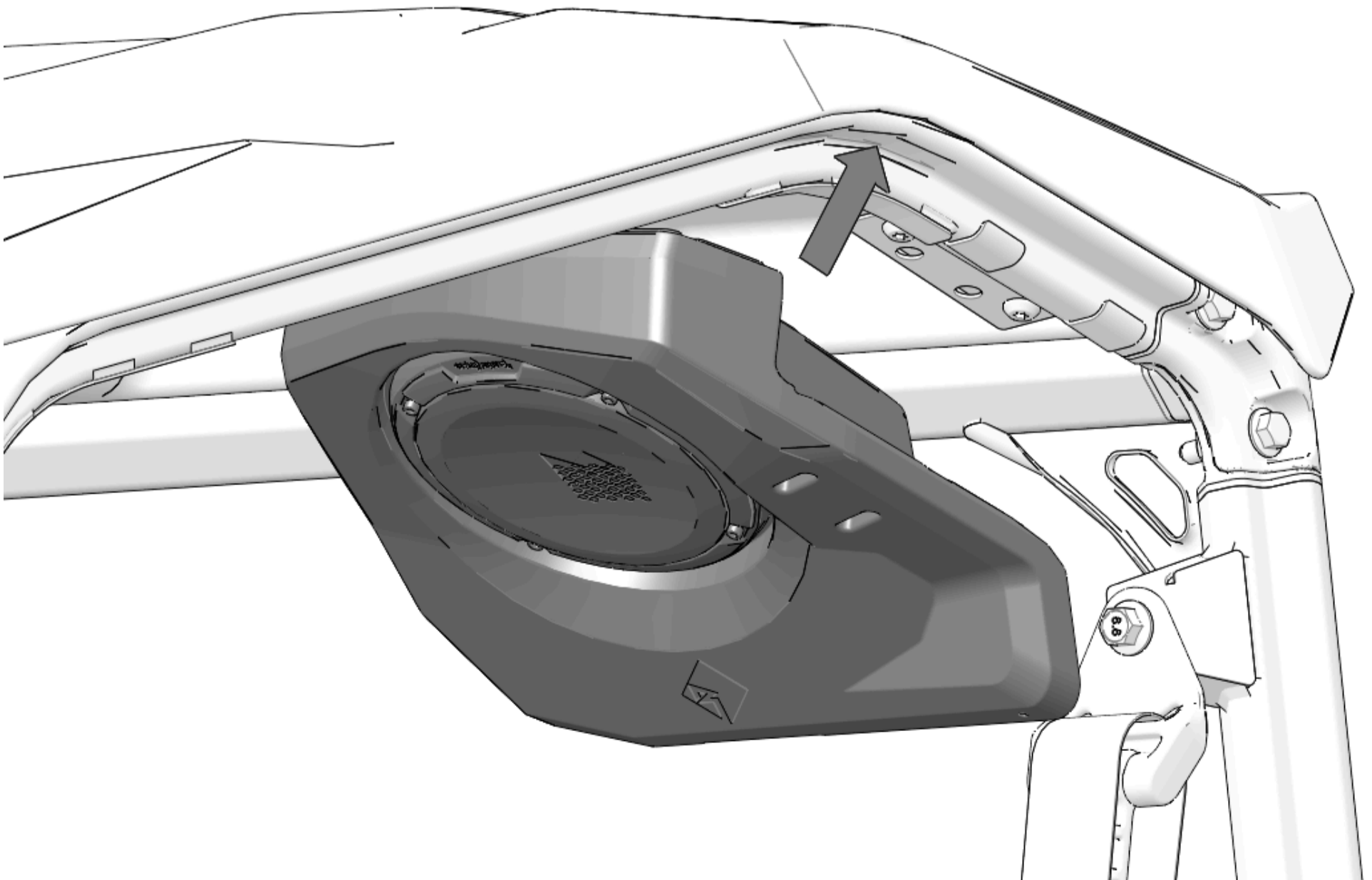


Rear Speaker Installation (If Equipped)

NOTICE

Left side shown; right side similar.

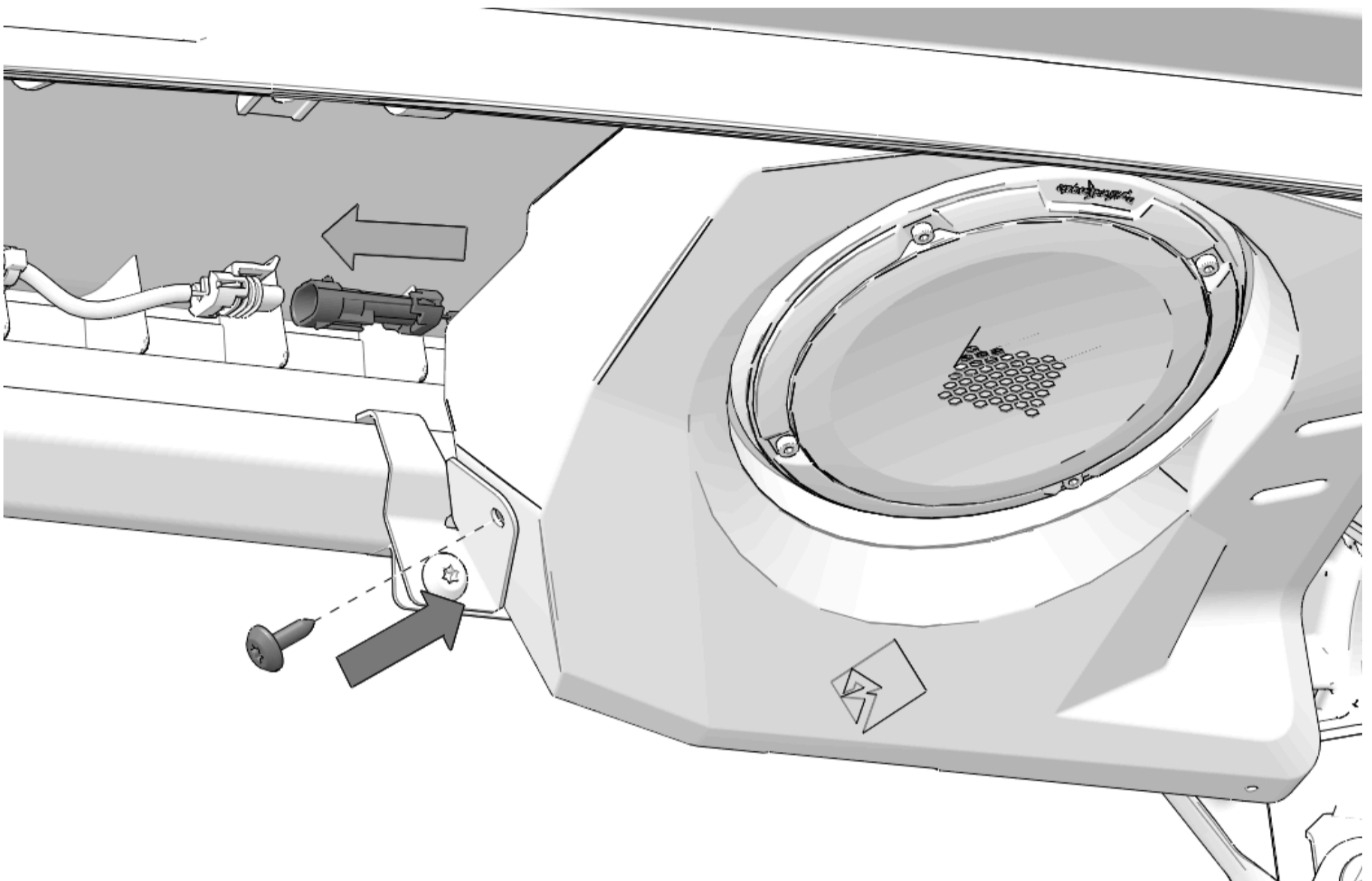
1. Install rear speaker in vehicle.



2. Install screw on inner side of rear speaker. Tighten screw until fully seated.

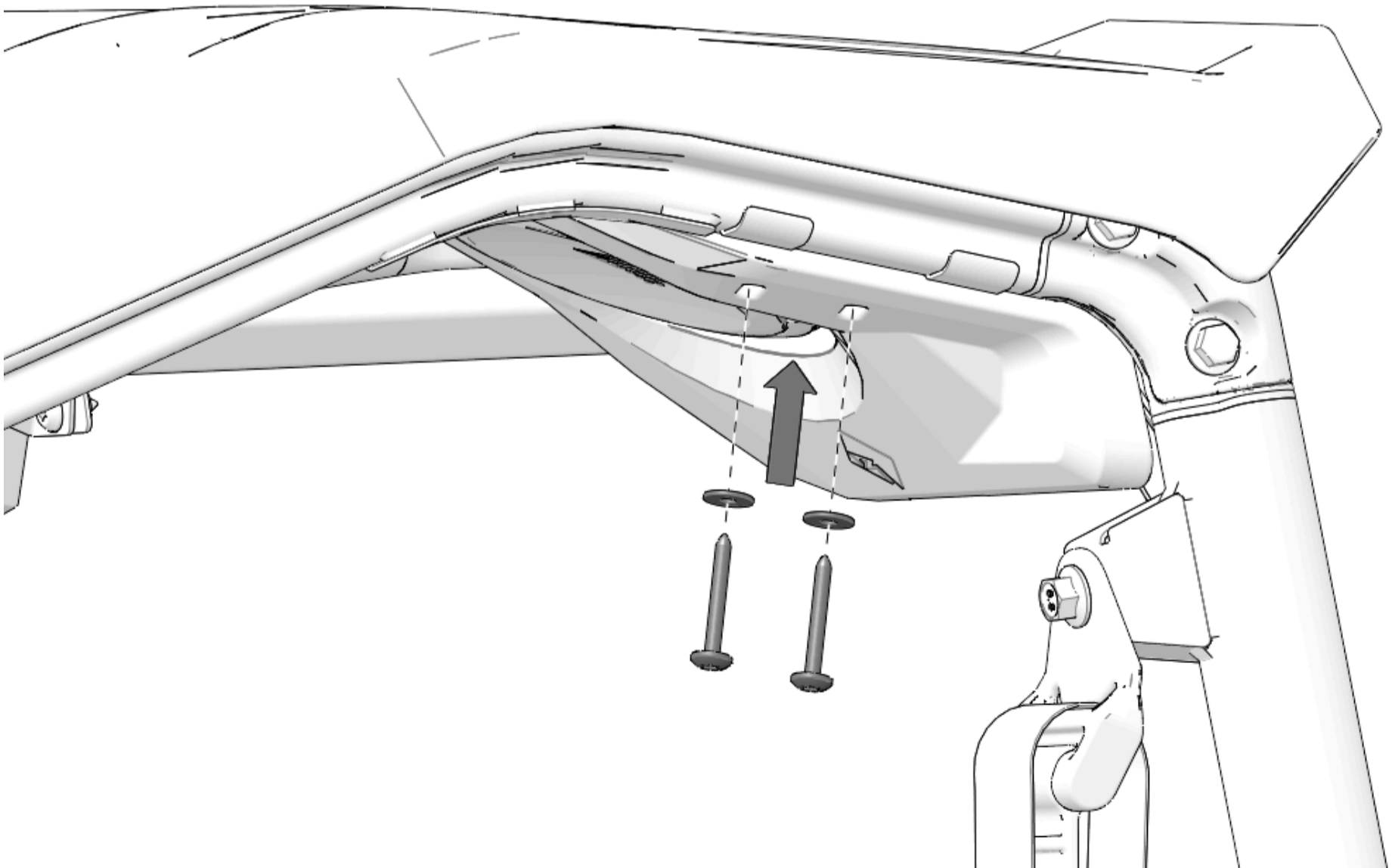
NOTICE

Roof liner hidden for clarity.

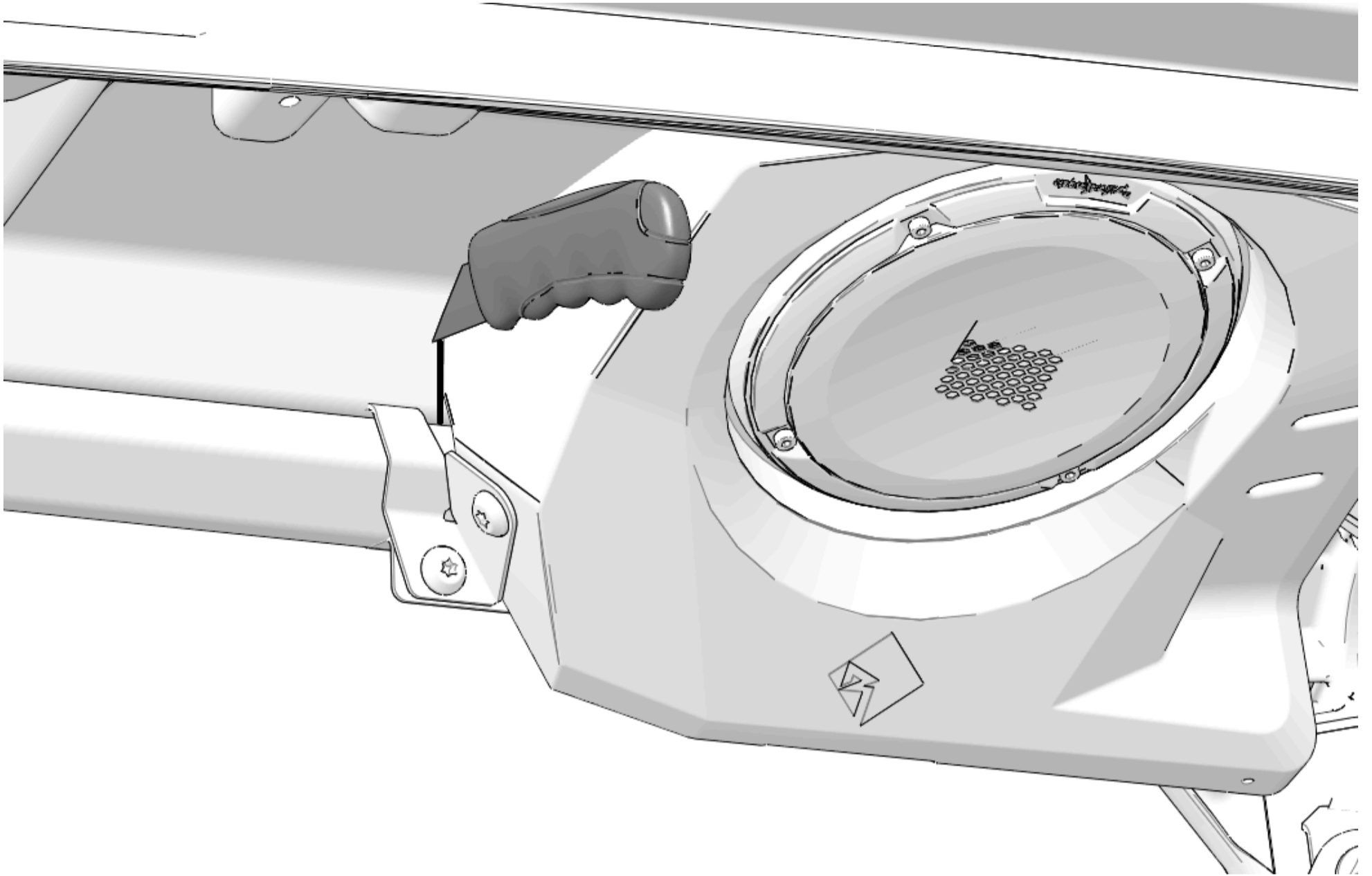


3. Connect speaker to wiring harness.

4. Install two screws on outer side of rear speaker. Tighten screws until fully seated.



5. Cut small slot in roof liner at inner side of rear speaker to allow speaker wiring to be placed behind roof liner.



[Site Map](#)

[Privacy Policy](#)

[Accessibility](#)

© 2025 Polaris Inc.