

Contents

Select Language ▼

Powered by Google Translate

Audio Roof Kit

P/N 2882064, 2882065, 2882066

Application

Verify accessory fitment at Polaris.com.

Before You Begin

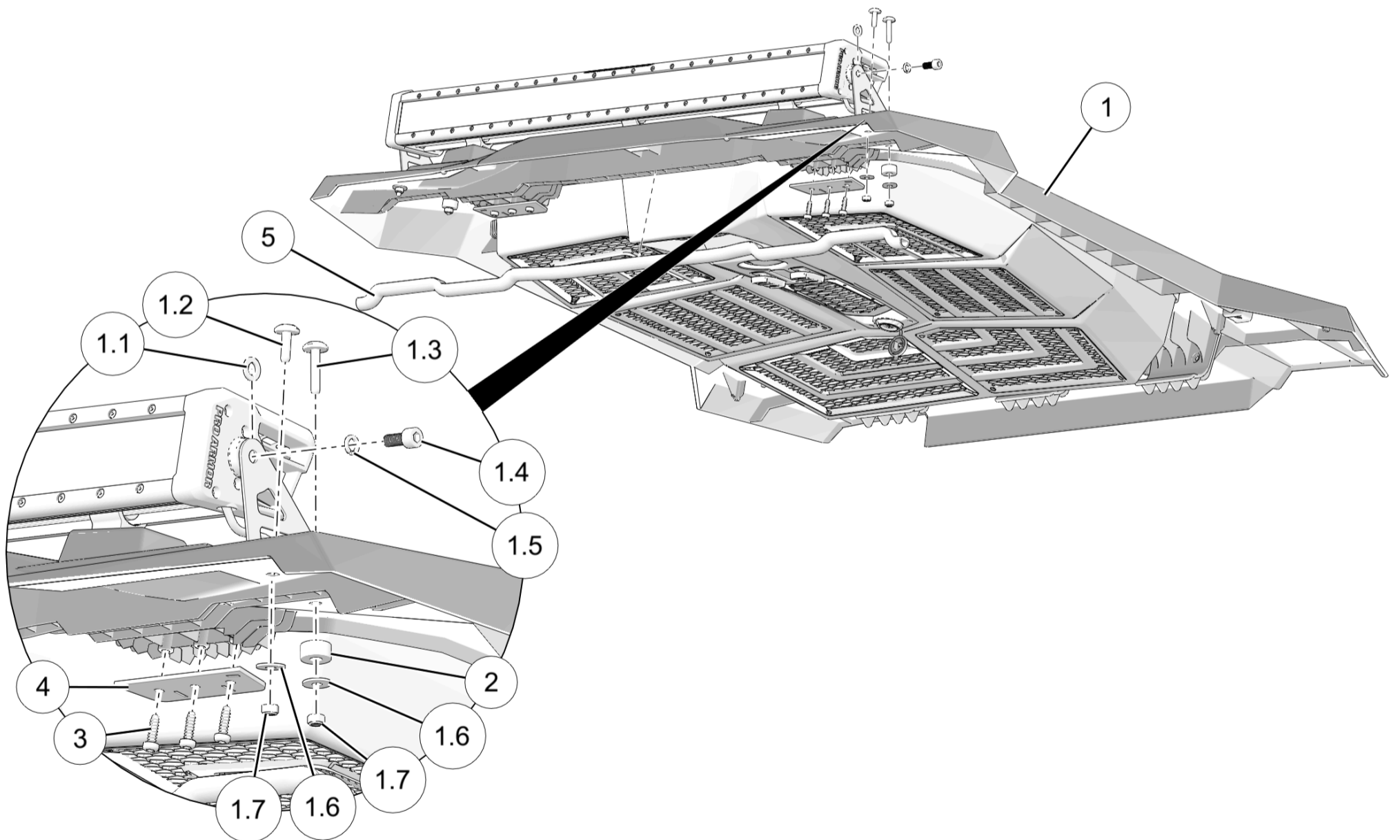
Read these instructions and check to be sure all parts and tools are accounted for. Please retain these installation instructions for future reference and parts ordering information.

Kit Contents

These Audio Roof Kits contain parts for installation of the audio roof only.

Prior installation of one of the following Busbar Harness Kits is also required: PN 2879862, 2881551, 2882862, or equivalent (sold separately).

Kit PNs 2882065 and 2882066 include:

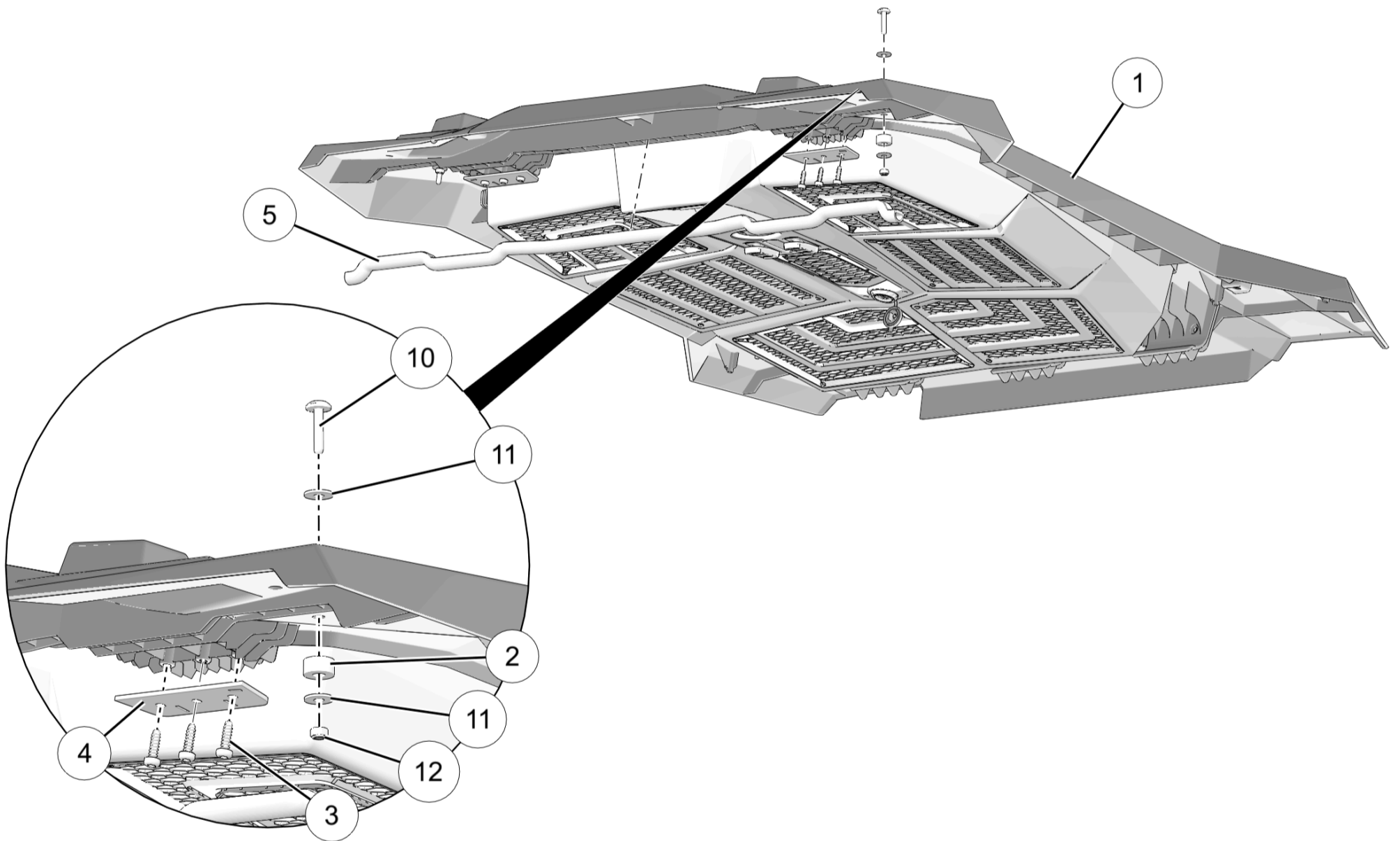


Ref	Qty	Part Description	Part Number	Included with Hardware Kit
1	1	Audio Roof (includes items 1.1-1.7 below)	n/a	n/a
1.1	2	- Washer, Serrated - M8	n/a	2206636*
1.2	2	- Screw, Torx® - M8 X 20	n/a	2206636*
1.3	2	- Screw, Torx® - M8 X 50	n/a	2206636*
1.4	2	- Screw, Torx® - M8 X 16	n/a	2206636*

Ref	Qty	Part Description	Part Number	Included with Hardware Kit
1.5	2	- Washer, Spring - M8	n/a	2206636*
1.6	4	- Washer, Flat - 24 X 8.2	n/a	2206636*
1.7	4	- Nut, Locking - M8	n/a	2206636*
2	2	Spacer, Plastic - M8 ID X 20 OD X 10 thick	n/a	n/a
3	6	Screw, Torx®, Self-Tapping - M6 X 22	n/a	2206636*
4	2	Plate, Clamp	n/a	2206636*
5	1	Seal, Bulb	n/a	2206636*
	1	Instructions	9927534	n/a

* Hardware kit is universal and will contain additional hardware not used with Audio Roof Kit PNs 2882065 and 2882066.

Kit PN 2882064 includes:



Ref	Qty	Part Description	Part Number	Included with Hardware Kit
1	1	Audio Roof	n/a	n/a
2	2	Spacer, Plastic - M8 ID X 20 OD X 10 thick	n/a	n/a
3	6	Screw, Torx®, Self-Tapping - M6 X 22	n/a	2206636*
4	2	Plate, Clamp	n/a	2206636*
5	1	Seal, Bulb	n/a	2206636*
6	-	(unused)	n/a	n/a
7	-	(unused)	n/a	n/a
8	-	(unused)	n/a	n/a
9	-	(unused)	n/a	n/a
10	2	Screw, Torx® - M8 X 40	n/a	2206636*

Ref	Qty	Part Description	Part Number	Included with Hardware Kit
11	4	Washer, Flat - 24 X 8.2	n/a	2206636*
12	2	Nut, Locking - M8	n/a	2206636*
	1	Instructions	9927534	n/a

* Hardware kit is universal and will contain additional hardware with Audio Roof Kit PN 2882064.

Tools Required

- Safety Glasses
- Drill
- Drill Bit: 3/8 inch (9 mm)
- Screwdriver Set, Torx®
- Socket Set, Metric
- Socket Set, Torx® Bit
- Torque Wrench
- Wrench Set, Metric

Important

Your Audio Roof Kit is exclusively designed for your vehicle. Please read the installation instructions thoroughly before beginning. Installation is easier if the vehicle is clean and free of debris. For your safety, and to ensure a satisfactory installation, perform all installation steps correctly in the sequence shown.

Installation Instructions

NOTE

Polaris recommends two people assemble and install this kit.
Installation for Audio Roof Kit PN 2882066 shown; PNs 2882064 and 2882065 similar except as noted.

1. Shift vehicle transmission into "PARK". Turn ignition switch to "OFF" position and remove key.

WARNING

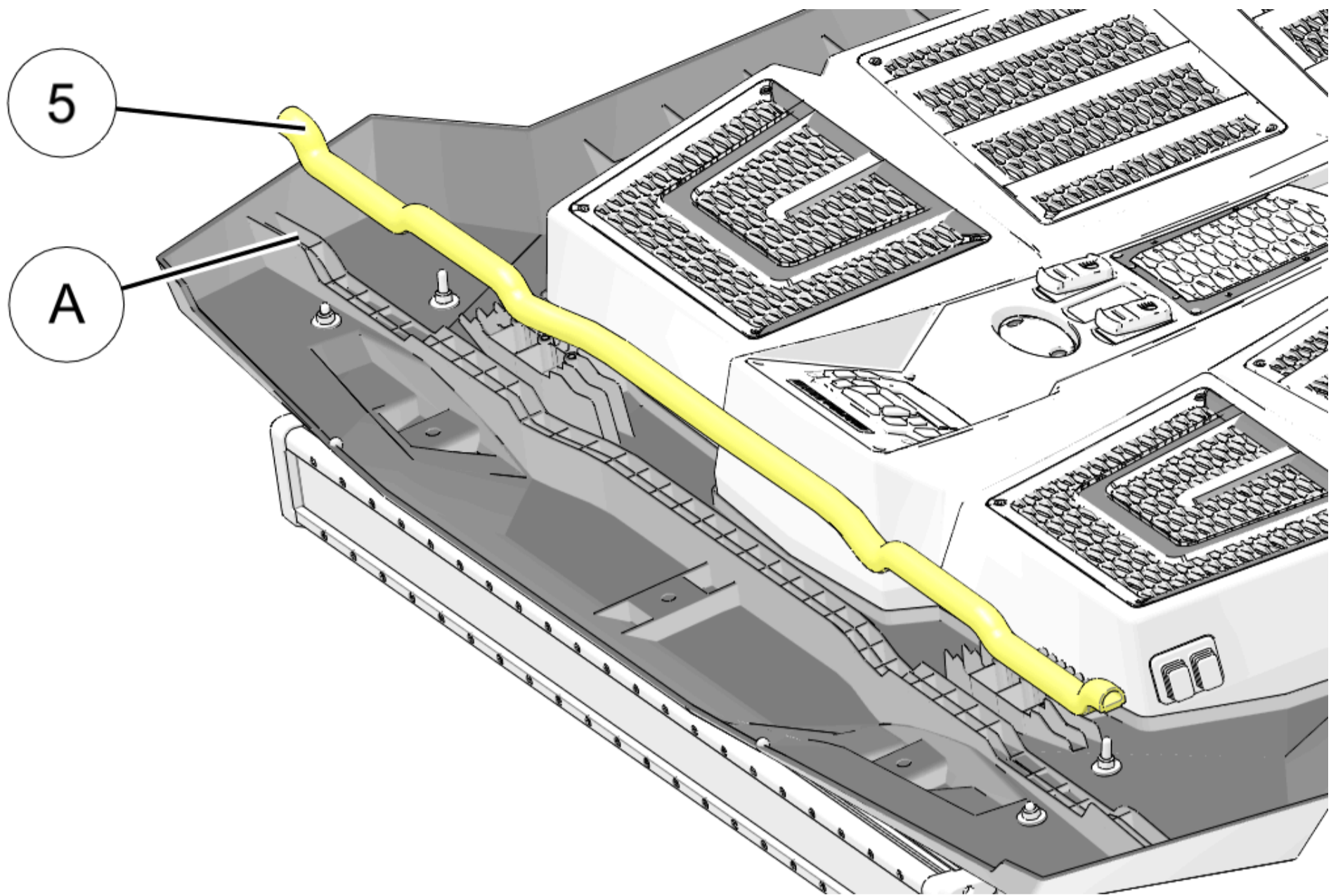
Ensure red positive (+) battery terminal is COMPLETELY COVERED by protective boot. Accidental tool contact across both battery terminals will result in high current electrical arc, and may result in battery explosion. Death or serious personal injury may occur.

Black negative (-) cable MUST be disconnected from battery terminal. Failure to disconnect cable may result in electrical arc when installing connections at terminal block. Death or serious personal injury, or damage to vehicle or accessory, may occur.

2. Remove driver's seat and disconnect black negative (-) cable from battery.
3. Gain Access.
 1. Remove hood.
 2. Remove windshield (if installed).
4. Clean bulb seal channel (A) at front of audio roof as required to ensure proper seal adhesion, then install bulb seal (5). Trim seal (if required), then press firmly into place.

NOTE

Seal may be pre-installed from factory.

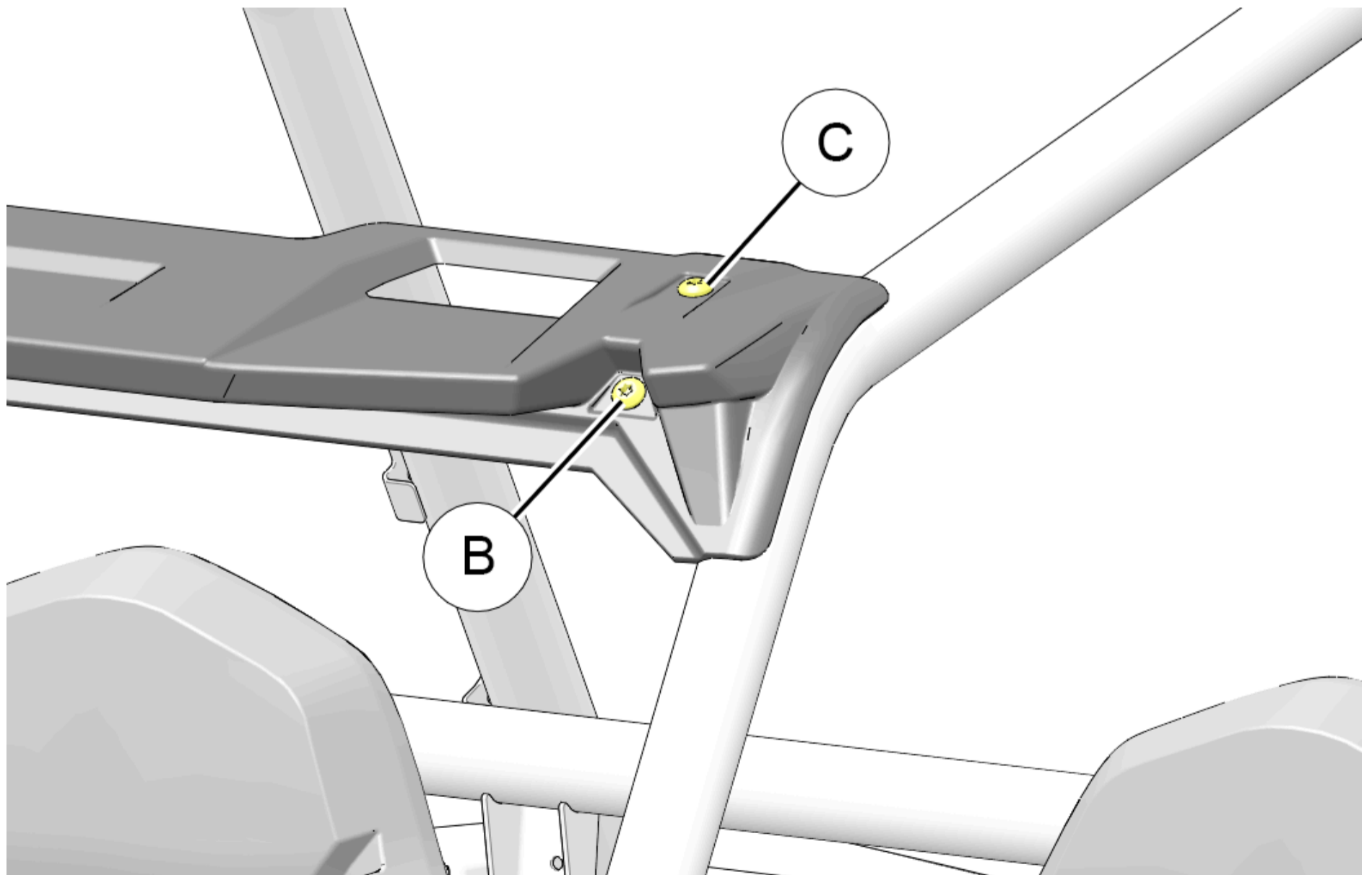


5. Enlarge visor fastener holes.

NOTE

LH side shown; RH side opposite.

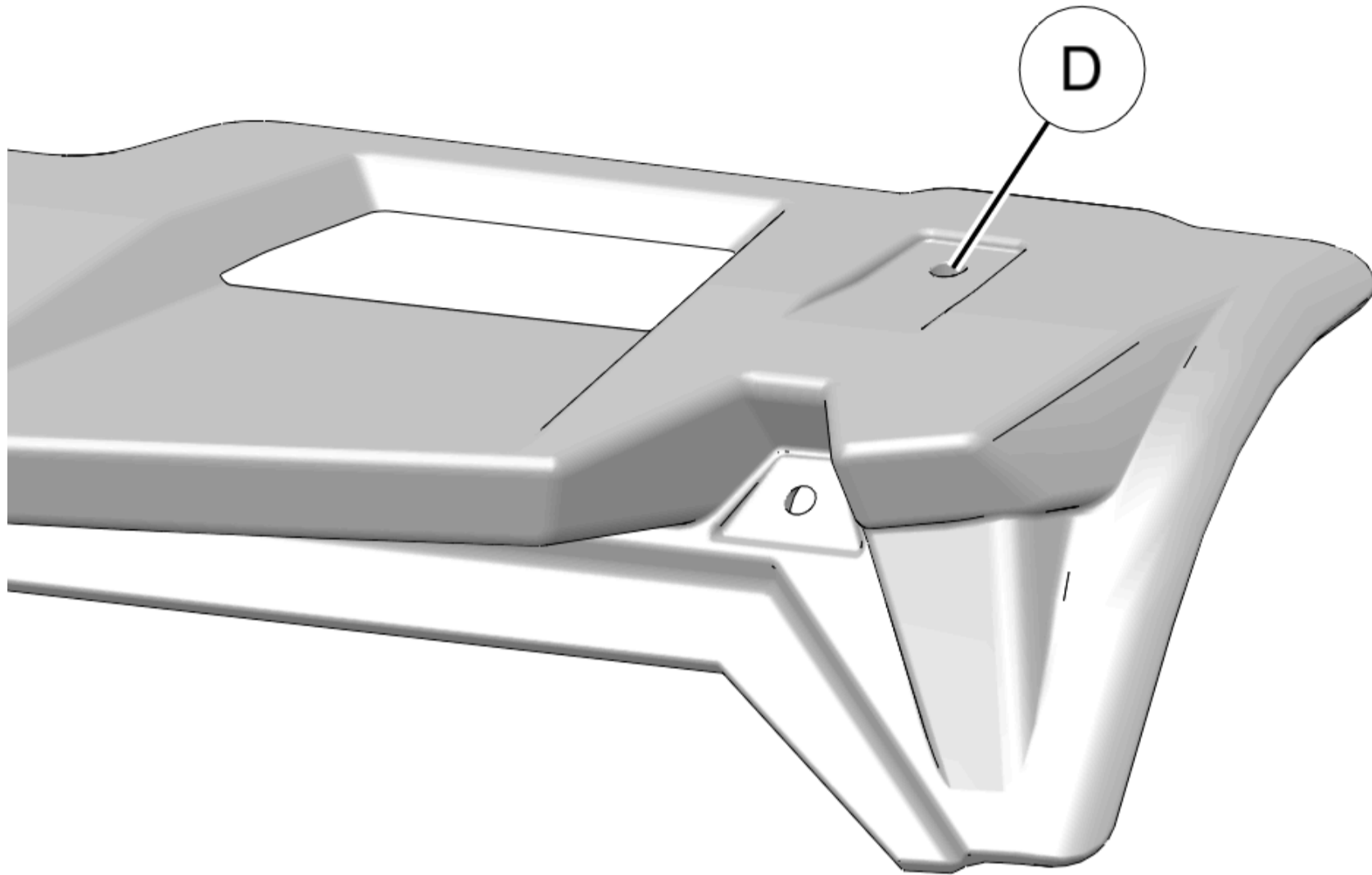
1. Remove screws (B) and (C) from visor as shown. Repeat for RH side, then remove visor. Retain screws.



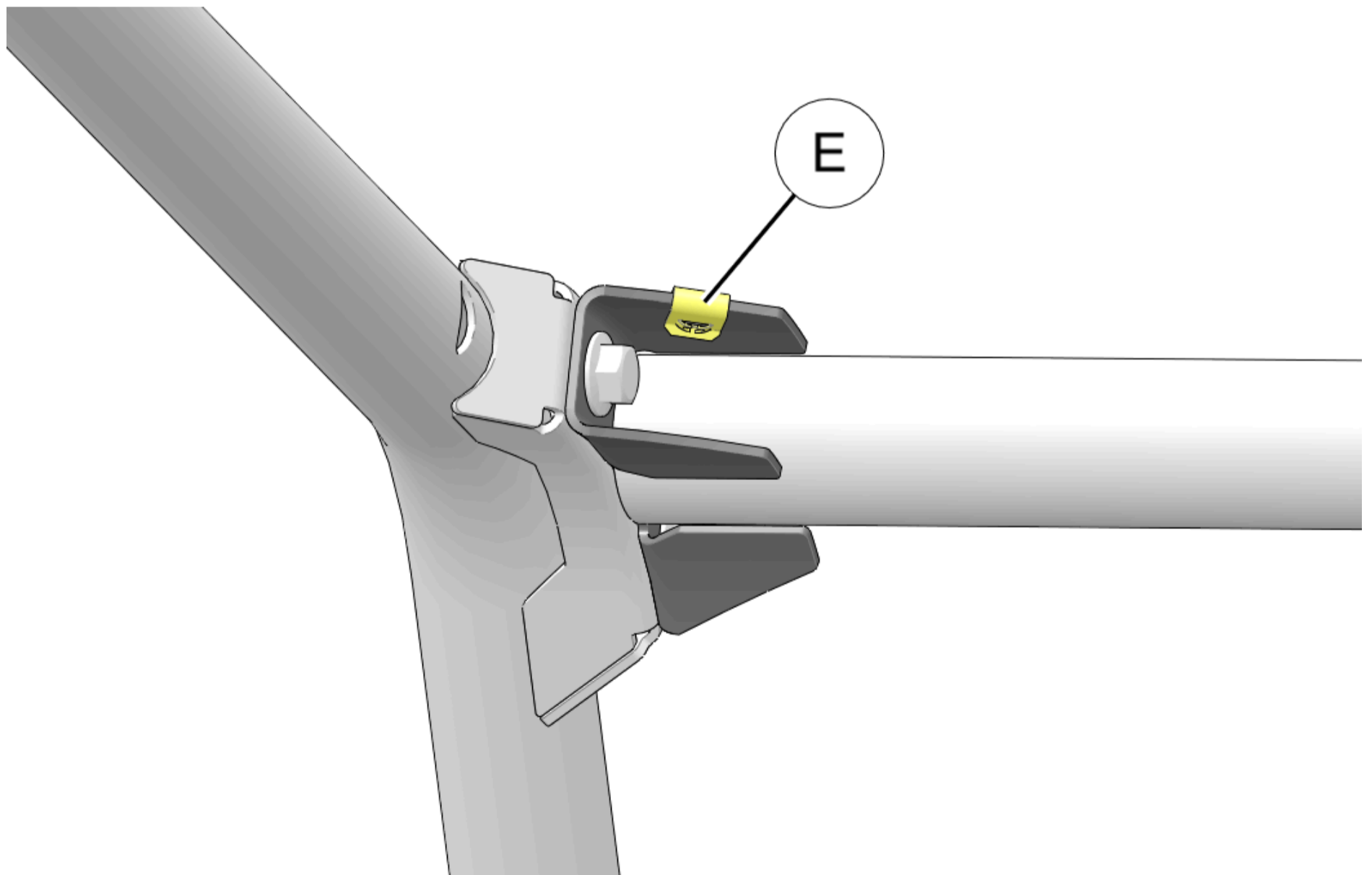
2. Enlarge UPPER REAR hole (D) in visor using 3/8 inch (9 mm) diameter drill bit. Repeat for RH side.

IMPORTANT

Do NOT enlarge corresponding holes in metal ROPS visor brackets. Bracket holes are already proper size to accommodate audio roof.



3. Remove and discard clip nut (E) from UPPER REAR side of ROPS visor bracket. Repeat for RH side.



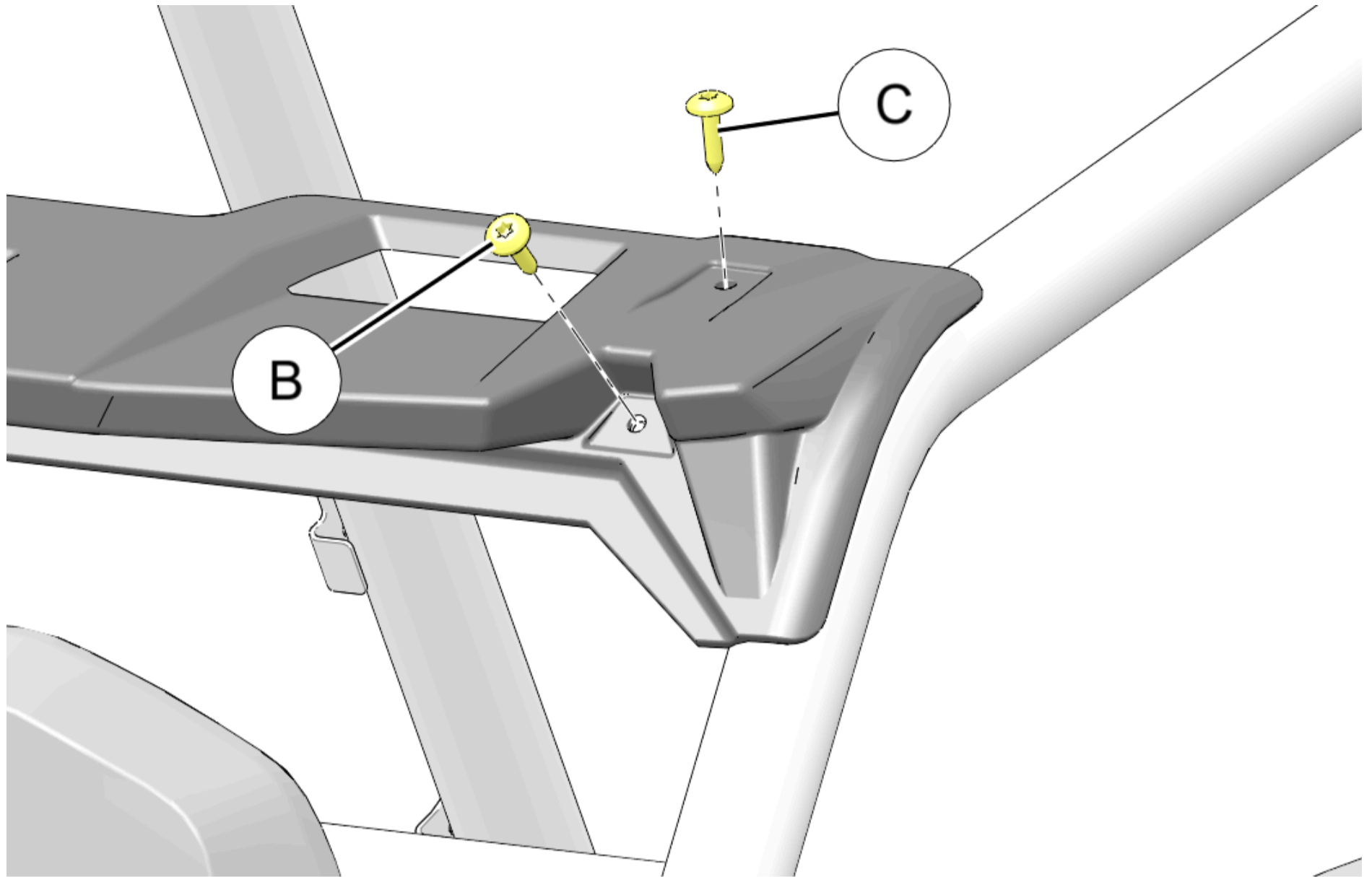
4. Lay visor on ROPS, then temporarily reinsert two retained screws (C) through UPPER REAR visor holes into ROPS visor brackets.

Do not install audio roof (1) or any other hardware at this time.

NOTE

Screws (C) will not thread into anything; screw insertion only aids in visor alignment during next step. Final screw installation will occur in Step 7.

LH side shown; RH side opposite.



5. Reinstall two retained screws (B) through LOWER FRONT visor holes into ROPS as shown in previous step. Torque to specification.

TORQUE

8 ft. lbs. (11 Nm) \pm 10%

6. Remove two loose screws (C) from UPPER REAR visor holes. Screws will not be reused.

6. If installing Audio Roof Kit PN 2882064, then proceed to next step. Otherwise, perform the following:

Remove screw (F), spacer (2) (if installed), washer (G), and nut (H) from REAR side of light bar bracket. Repeat for RH side. Retain all hardware.

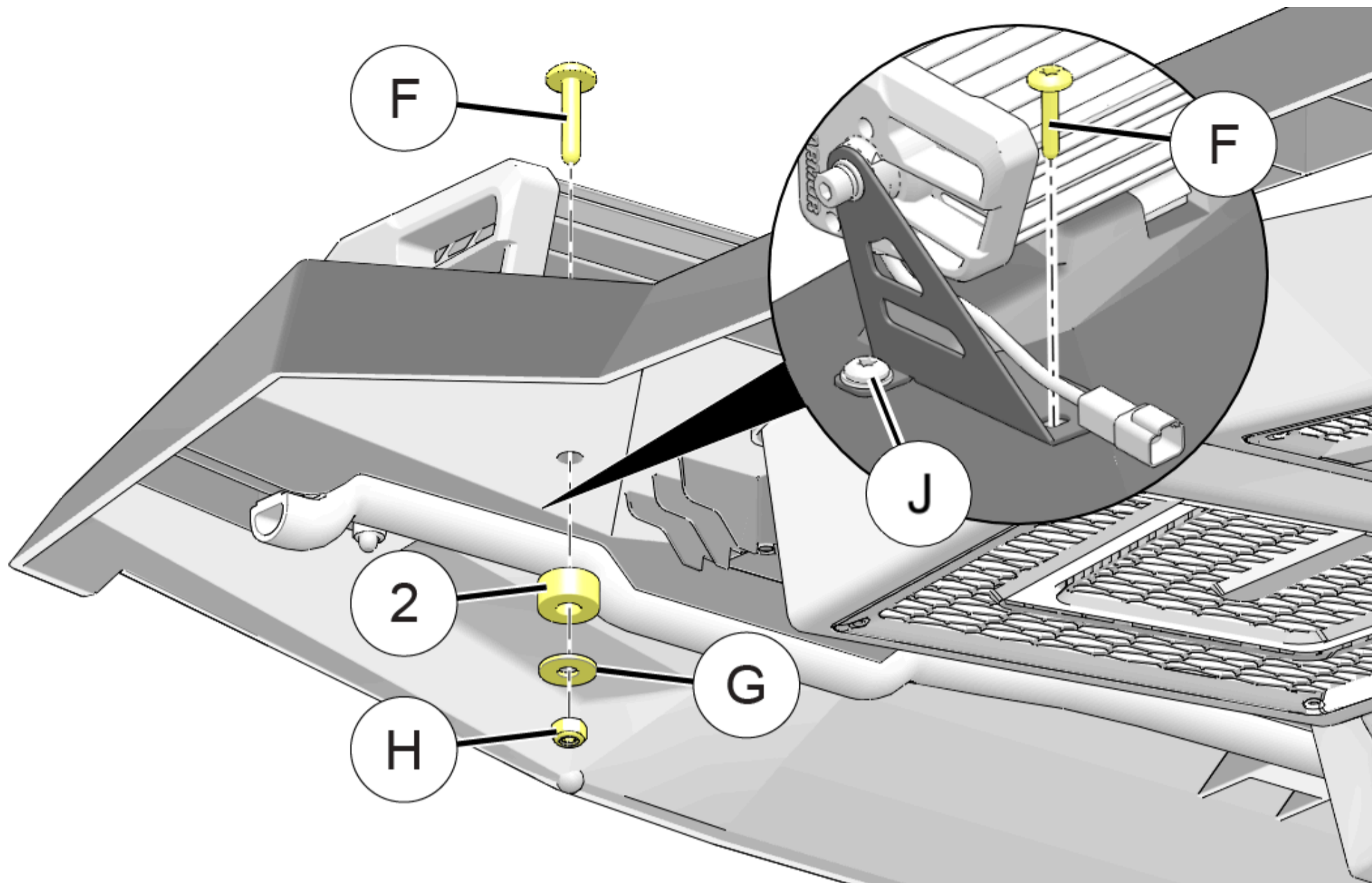
IMPORTANT

Do NOT remove screw (J) from FRONT side of light bar bracket.

NOTE

Spacer (2) will either come pre-installed to roof or shipped loose in hardware bag.

LH side shown; RH side opposite.

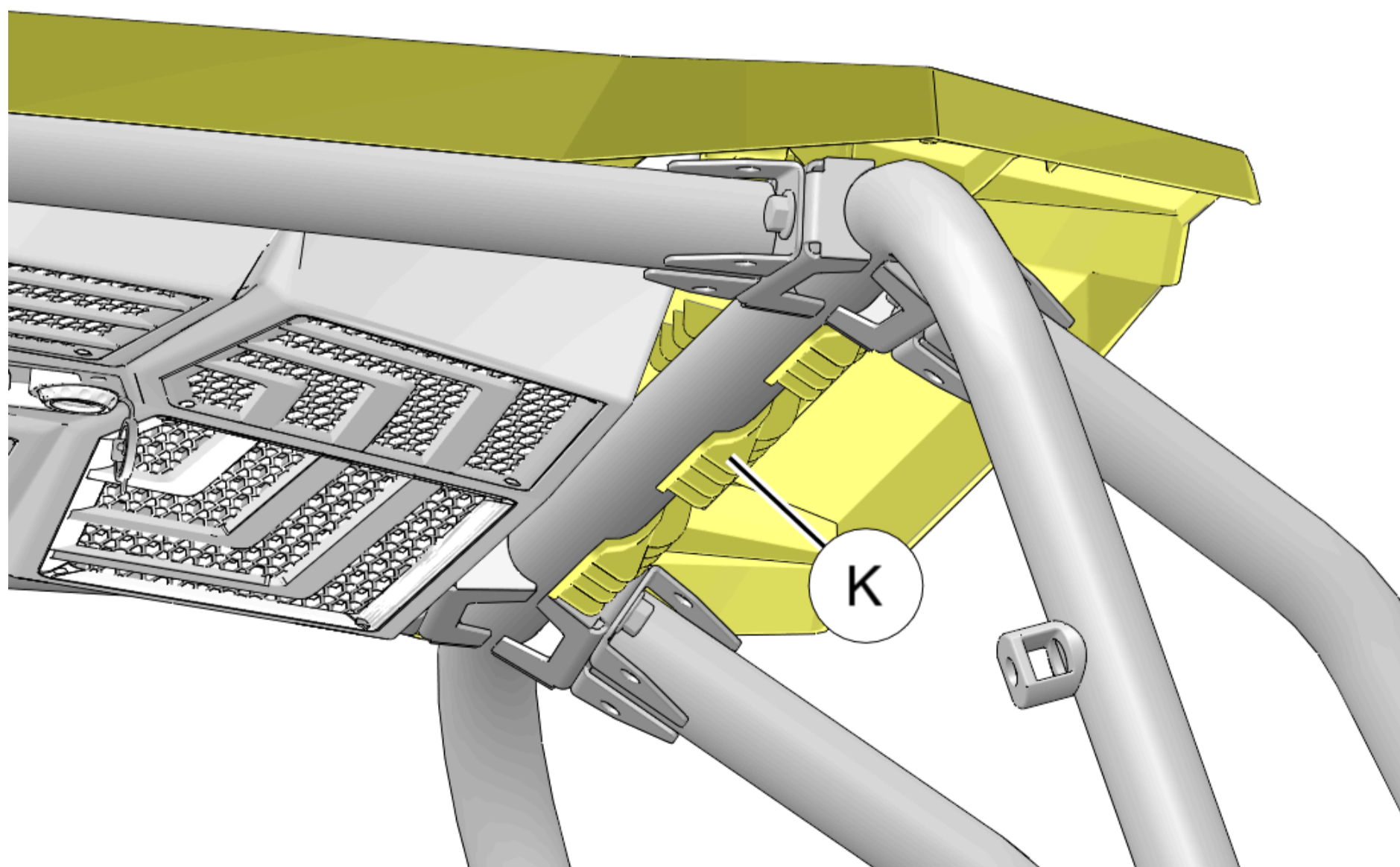


7. Install audio roof.

NOTE

LH side shown; RH side opposite.

1. Lay audio roof ① on top of ROPS, then slide roof forward until rear hooks ⑫ fully engage B-pillar cross-member.



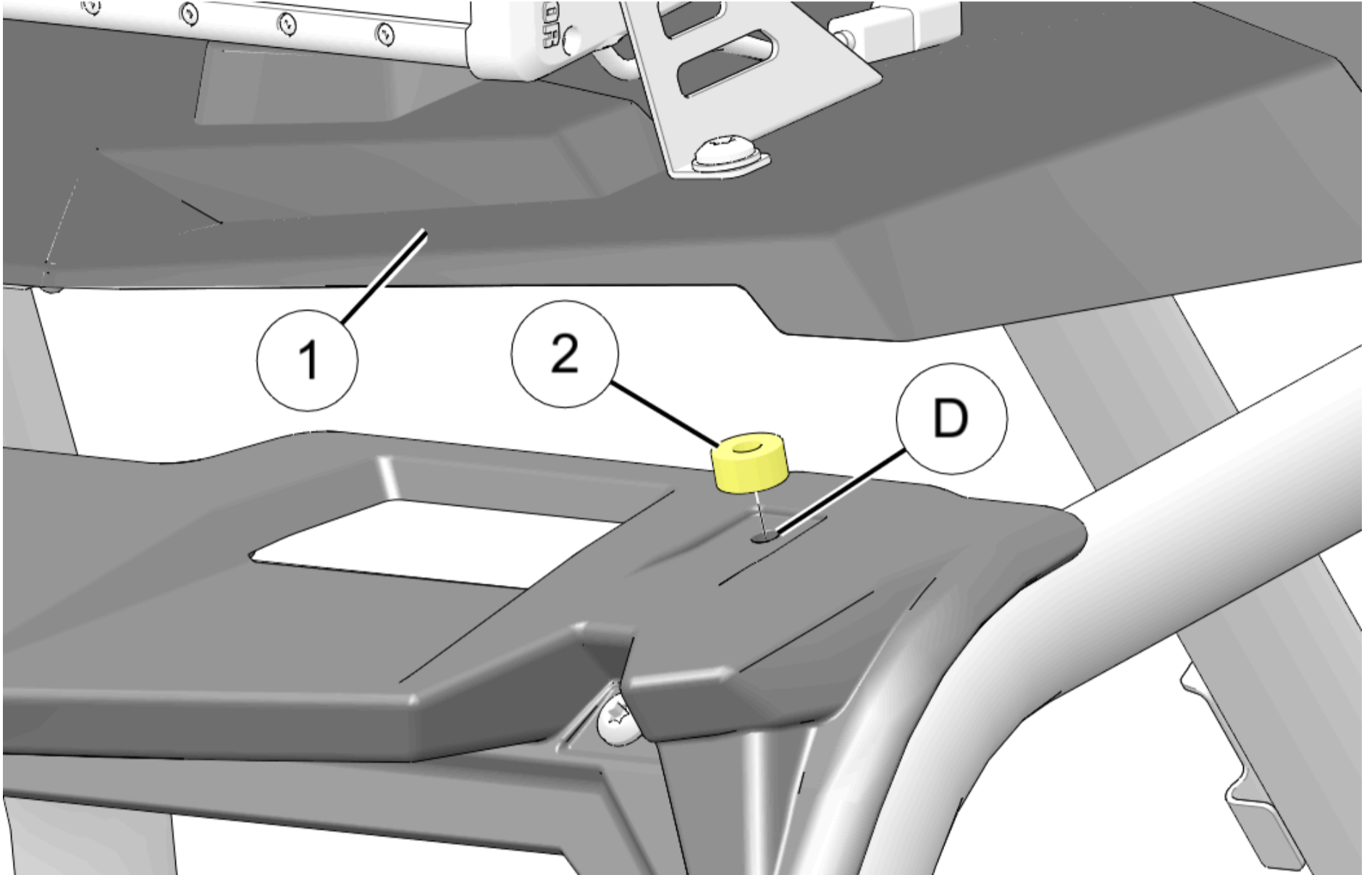
2. If FRONT spacer ② was not pre-installed to audio roof ①, then slightly lift front of roof and tape spacer ② to top of ROPS visor, centered over (enlarged) hole ④. Repeat for RH side.

IMPORTANT

Spacer **MUST** be used. Failure to use spacer may result in roof damage when tightening fastener and/or during vehicle operation.

NOTE

Spacer **(2)** will either come pre-installed to roof or shipped loose in hardware bag.

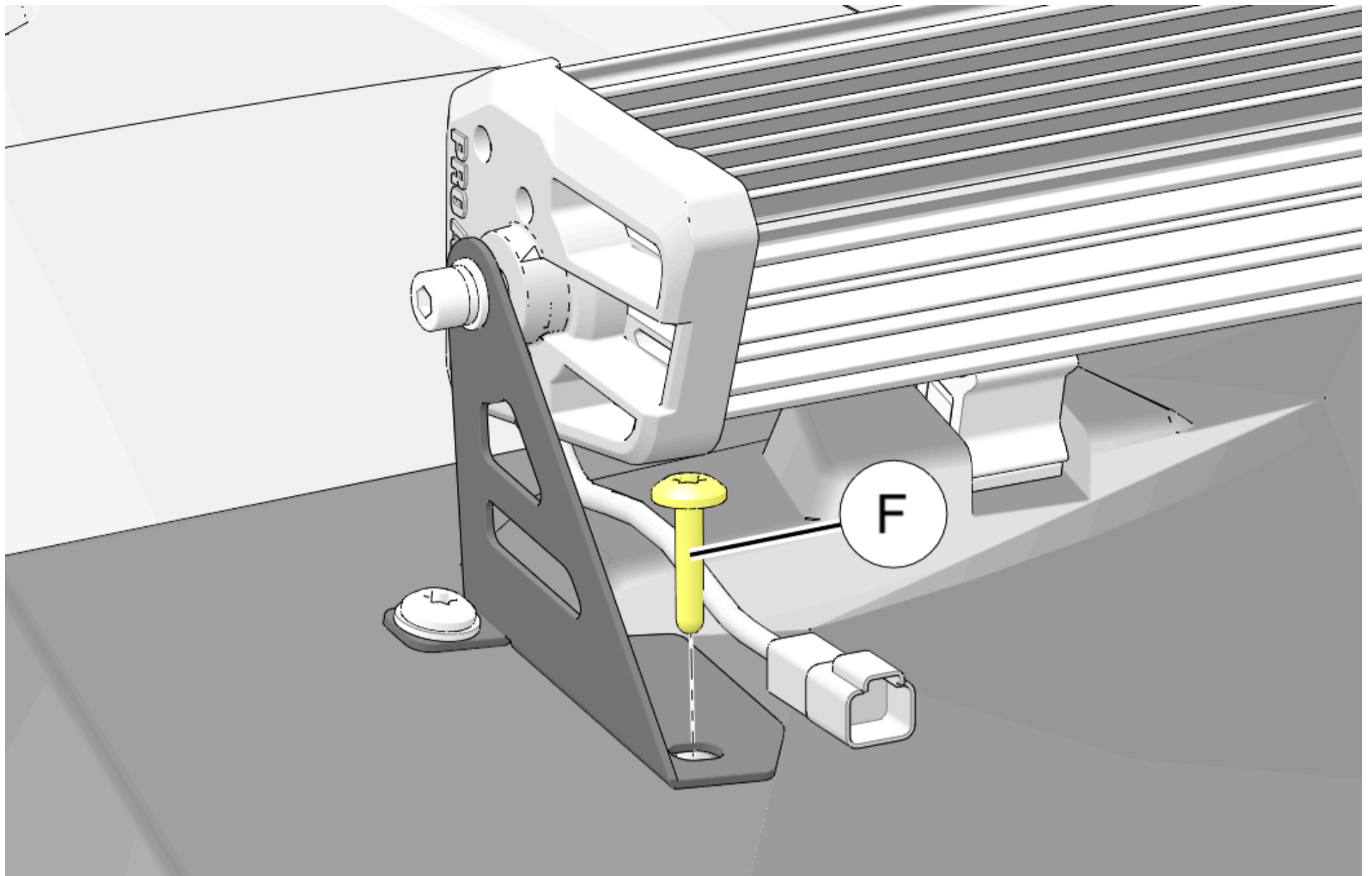


3. Install ROPS visor bracket screws.

Kit PNs 2882065 and 2882066:

Loosely install front of roof (and rear side of light bar bracket) to ROPS using retained screw **(F)** (see previous Step 6) inserted down through light bar bracket, roof, spacer **(2)**, and ROPS visor bracket.

Ensure screw passes **through hole in spacer**. Repeat for opposite side.



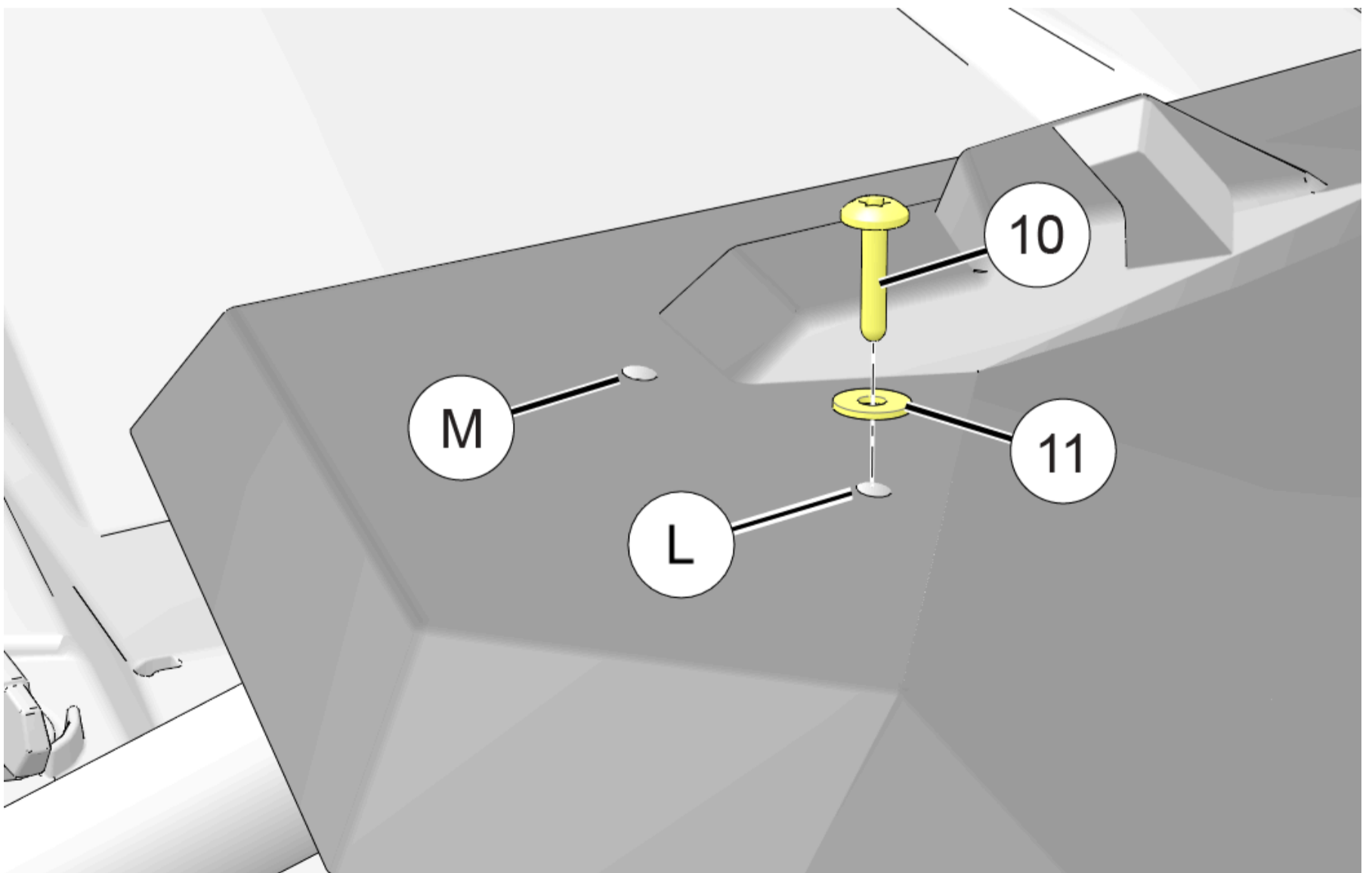
Kit PN 2882064:

1. Remove plug installed at REAR hole (L).

NOTE

Plug installed at forward hole (M) can remain in place.

Plugs not shown.

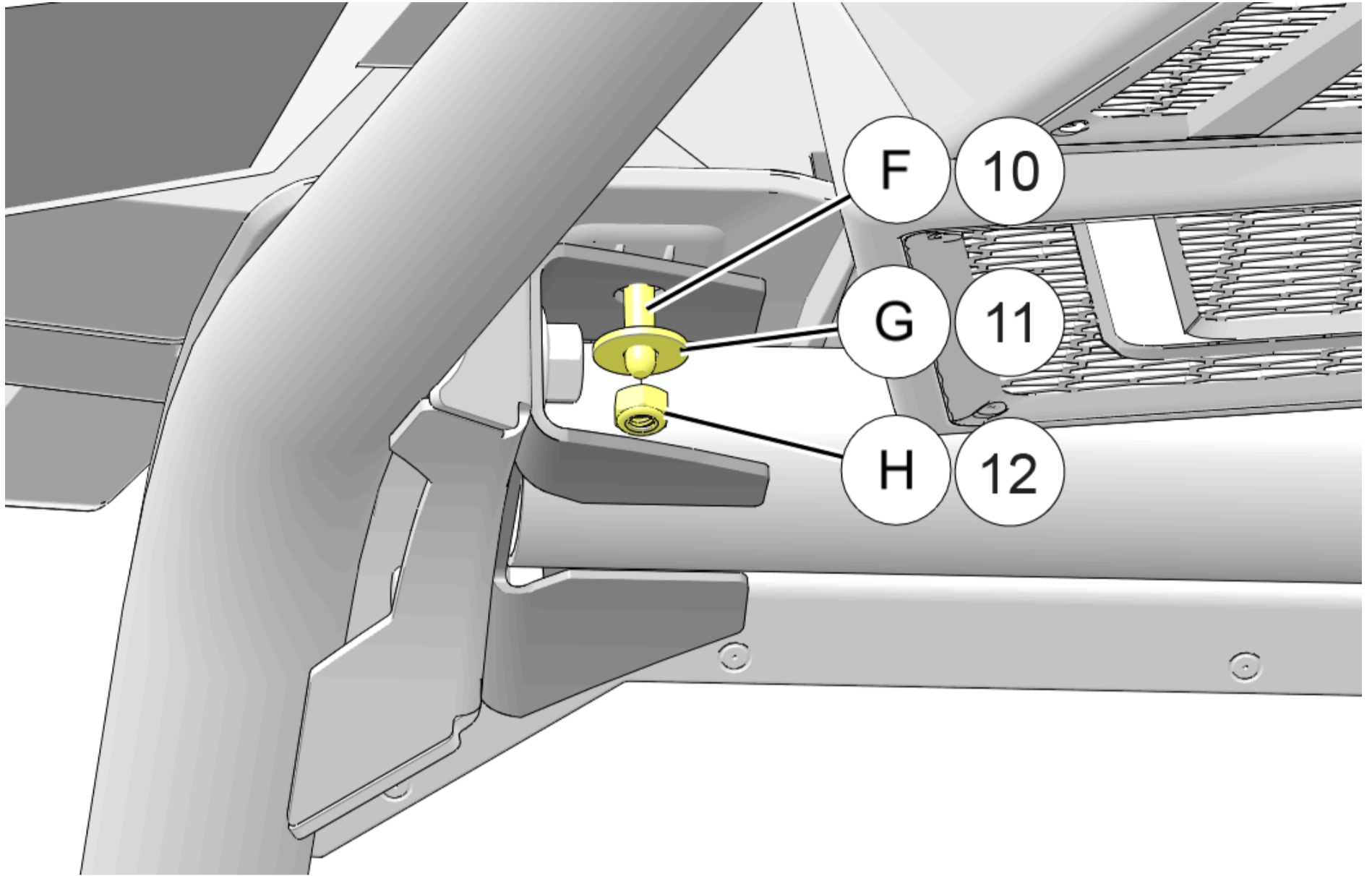


2. Loosely install front of roof to ROPS using screw (10) and washer (11) inserted down through roof, spacer (2), and ROPS visor bracket.

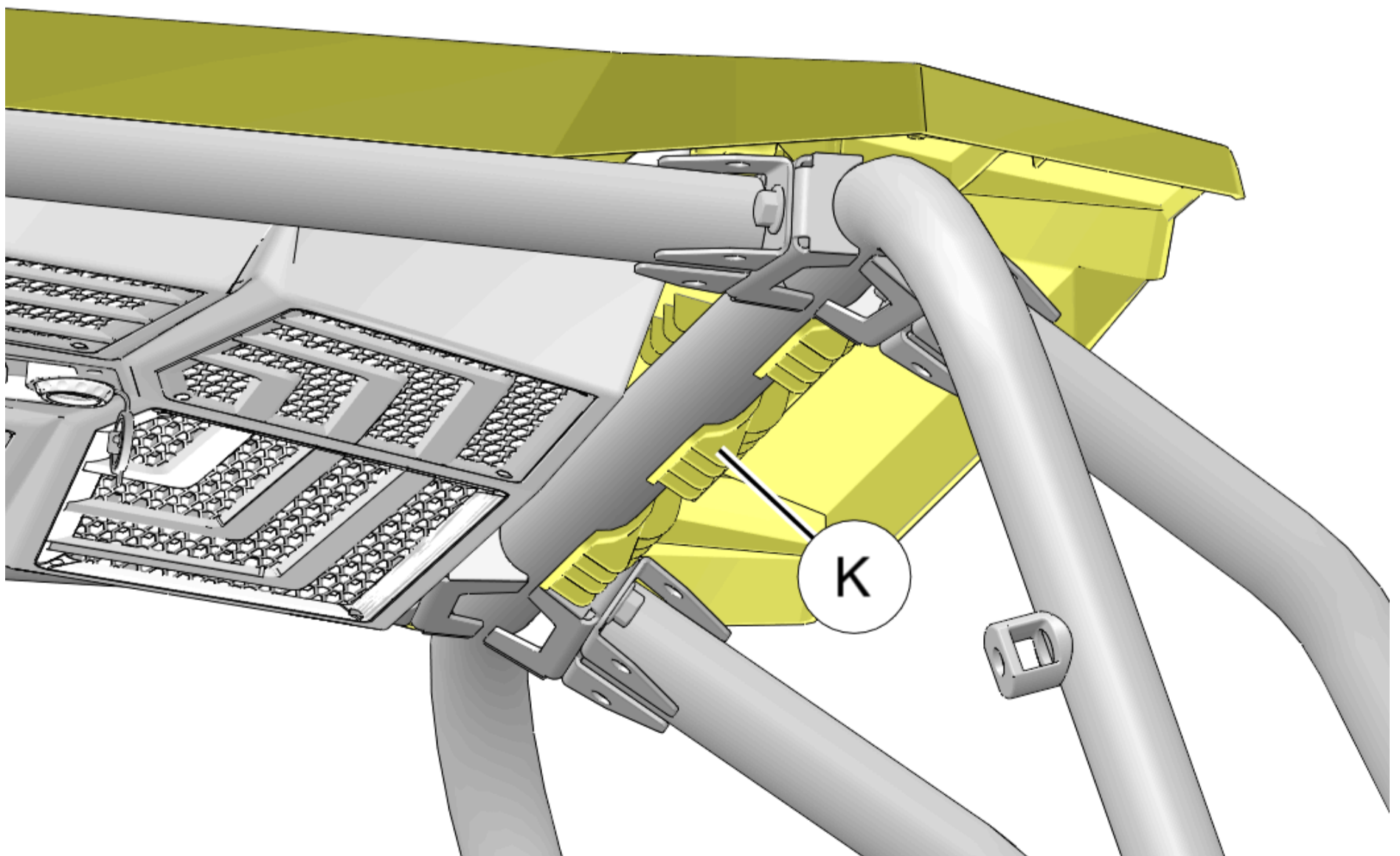
Ensure screw passes **through hole in spacer**. Repeat for opposite side.

4. Loosely install washer and nut inside ROPS visor bracket.

- **Kit PNs 2882065 and 2882066:** Install retained washer (G) and nut (H) to screw (F)
- **Kit PN 2882064:** Install washer (11) and nut (12) to screw (10)



5. Ensure rear hooks (K) still FULLY engage B-pillar cross-member. If not, slide roof forward until they do.



6. Torque two FRONT mounting screws (F) or (10) to specification. See Step 7c for detail.

TORQUE
10 ft. lbs. (14 Nm) ± 10%

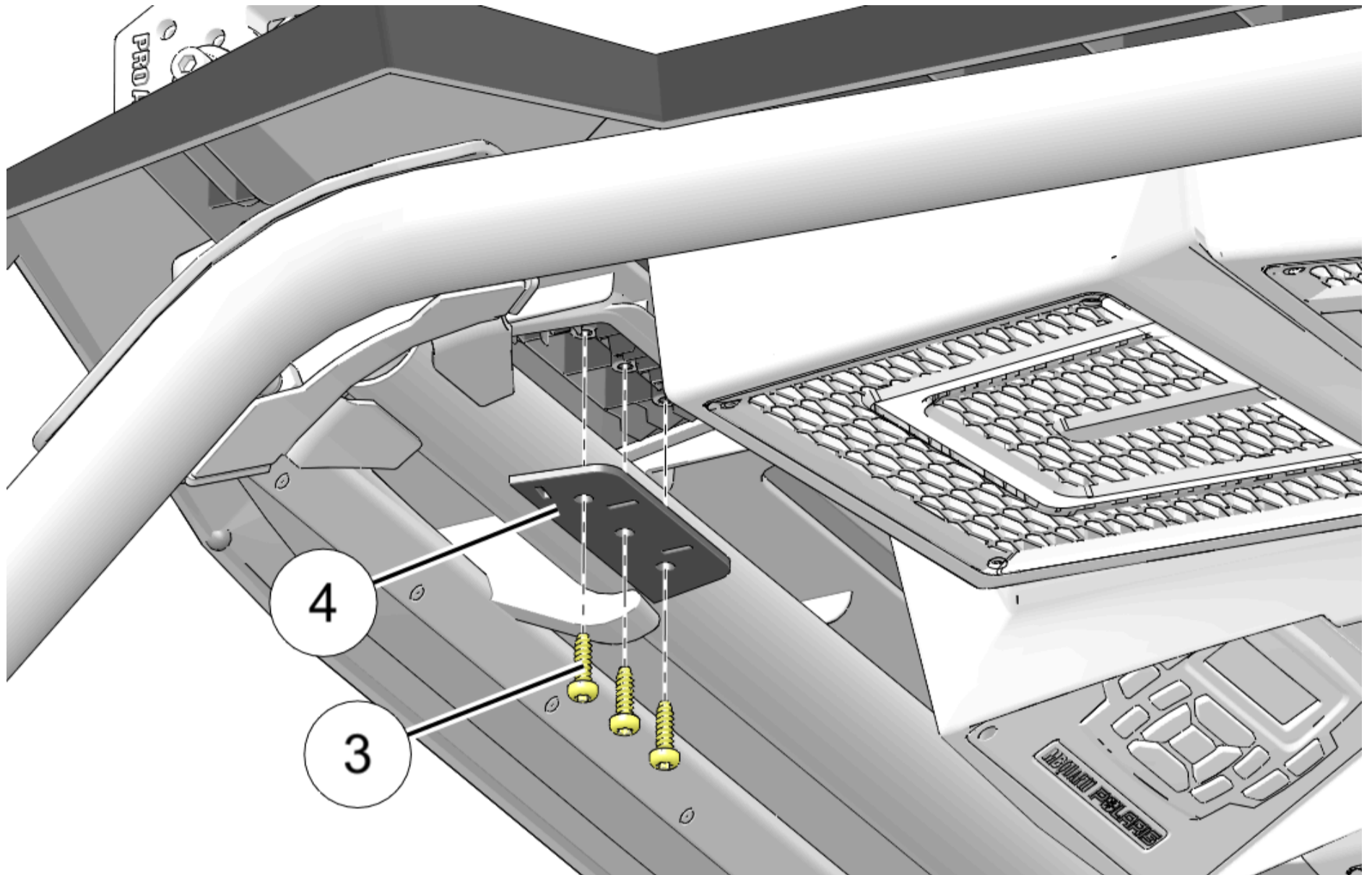
7. Install clamp plate (4) to roof using three screws (3). Repeat for opposite side. Torque to specification.

IMPORTANT

Torque is in INCH-POUNDS. Do NOT over-torque fasteners.

TORQUE

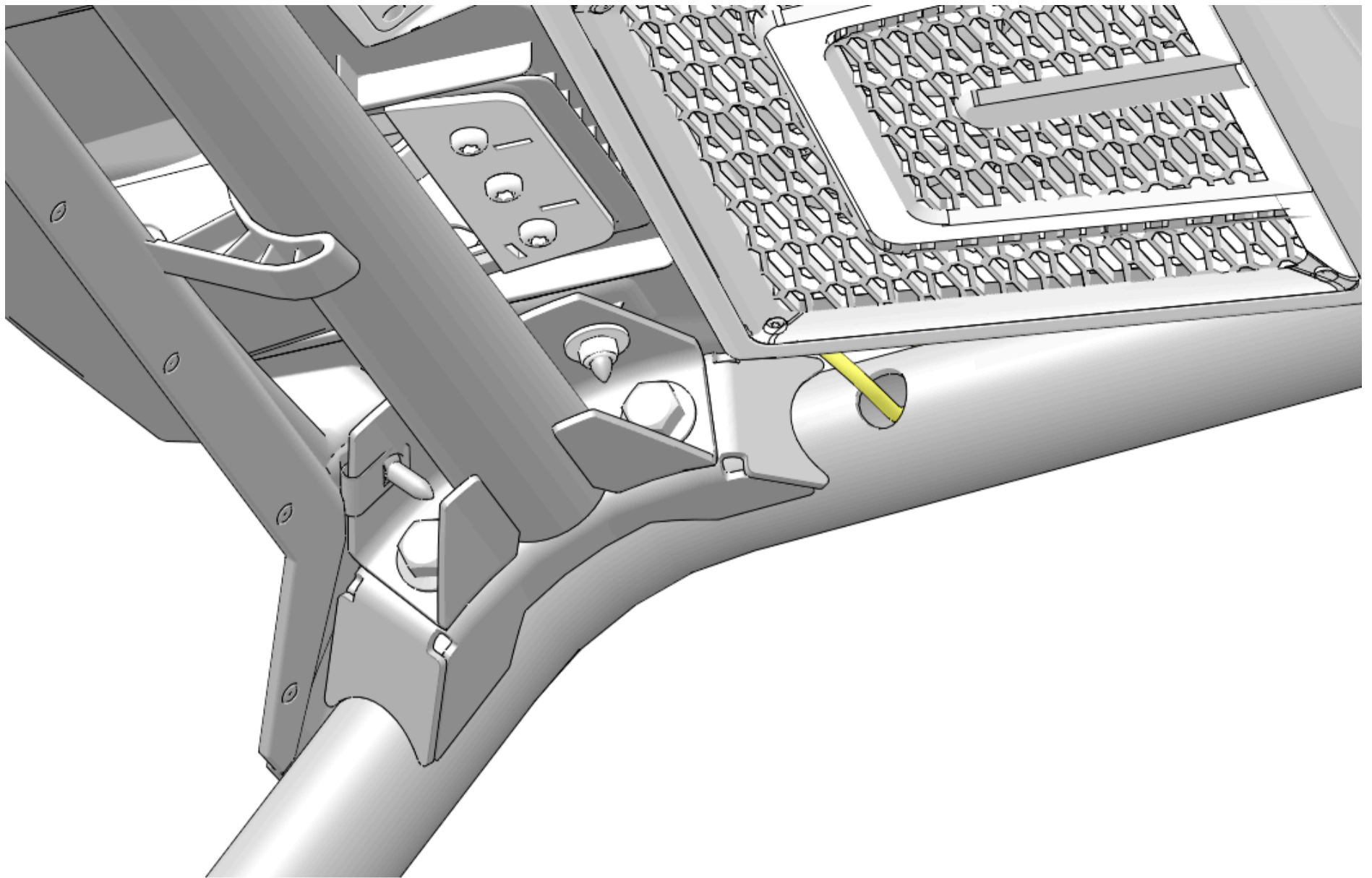
10 in. lbs. (1.1 Nm) ± 10%



8. Install electrical harness.

1. **RED WIRE:** Detach in-line fuse at bullet connectors. Grasp connectors, NOT wires.

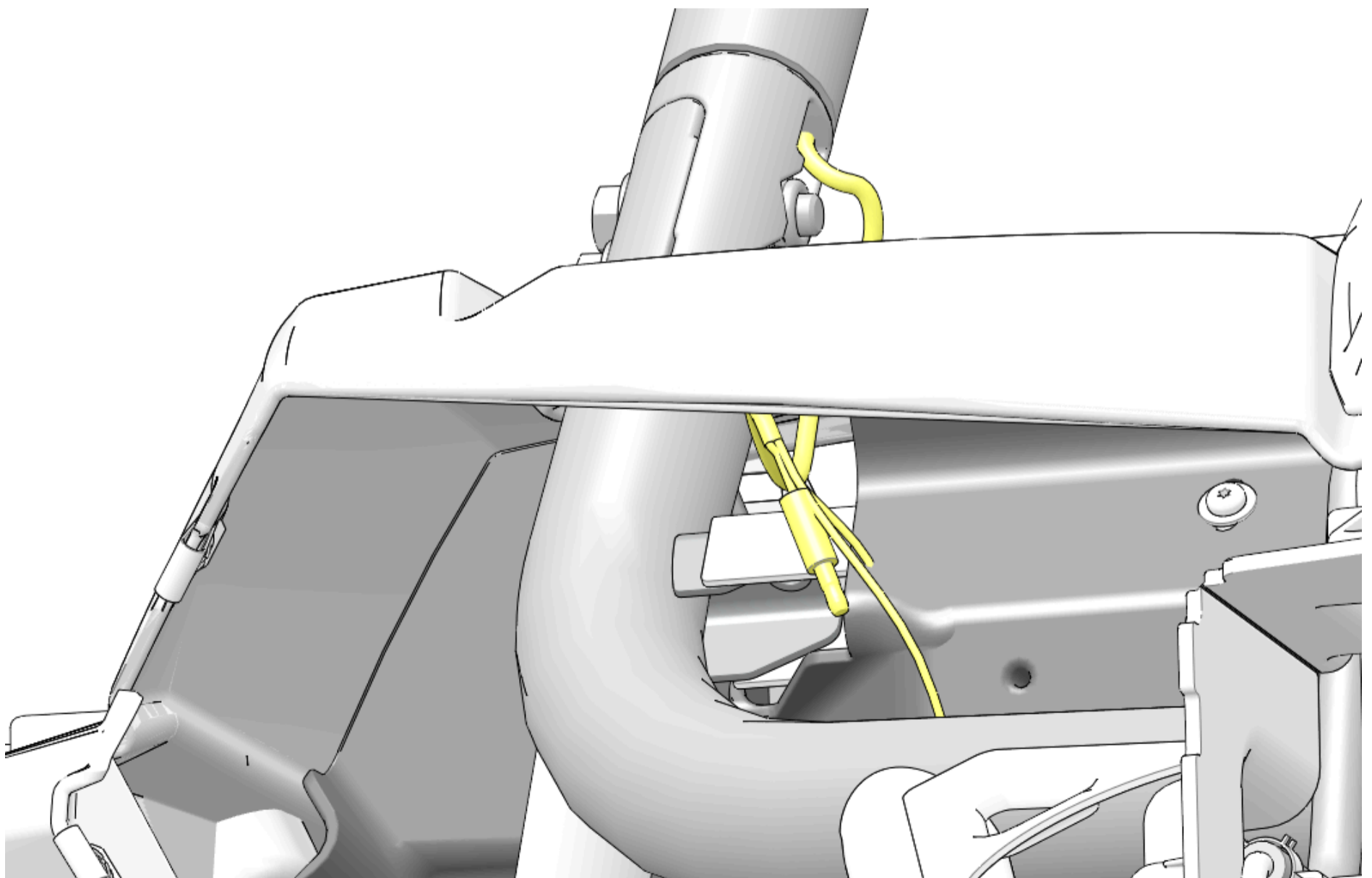
2. Route electrical harness bullet connector and two ring terminals into hole at top of passenger side A-pillar, down ROPS, out of welded coupler at base of pillar, and into under-hood compartment (on forward side of firewall).



NOTE

View looking rearward at passenger side A-pillar. Access to under-hood compartment is through cutout in firewall on inboard side of ROPS coupler.

Front fascia not shown for clarity.



3. **RED WIRE:** Reconnect in-line fuse at bullet connectors.

4. Connect electrical harness ring terminals to terminal block:

- **RED** harness wire: To post with existing RED battery connection cable (unswitched 12V POS); post may be identified as "BAT"

- **ORANGE** harness wire: To post with existing ORANGE wire (accessory switched 12V POS); post may be identified as "ACC"

- **BLACK** harness wire: To post with existing BLACK battery connection cable (12V NEG); post may be identified as "GND"

9. **OPTIONAL:** The following connectors are provided at the rear of the unit for connection to an amplifier or AMPLIFIED SPEAKER kit (sold separately).

- 4-pin audio signal connector
- Remote amp ON bullet connector

10. Restore access.

11. Reconnect black negative (-) cable to battery and reinstall seat.

WARNING

If transporting vehicle in non-enclosed trailer then vehicle must FACE FORWARD, or roof must be removed.

Failure to comply may allow airflow, vibration, or other factors to separate roof from vehicle and cause an accident, resulting in serious personal injury or death.

[Site Map](#)

[Privacy Policy](#)

[Accessibility](#)

© 2026 Polaris Inc.