


Contents

Select Language 

Powered by  **Translate**

Windshield Kit

P/N 2884223; 2884337

Before You Begin

Before beginning assembly, inspect the kit and its component(s) to be sure all parts and tools are accounted for and not damaged. If missing parts or parts are damaged, please contact your Selling Dealer for assistance.

If your accessory was purchased online, please contact POLARIS customer service at **1-800-POLARIS** (US & Canada only).

Application

Verify accessory fitment at www.polaris.com.

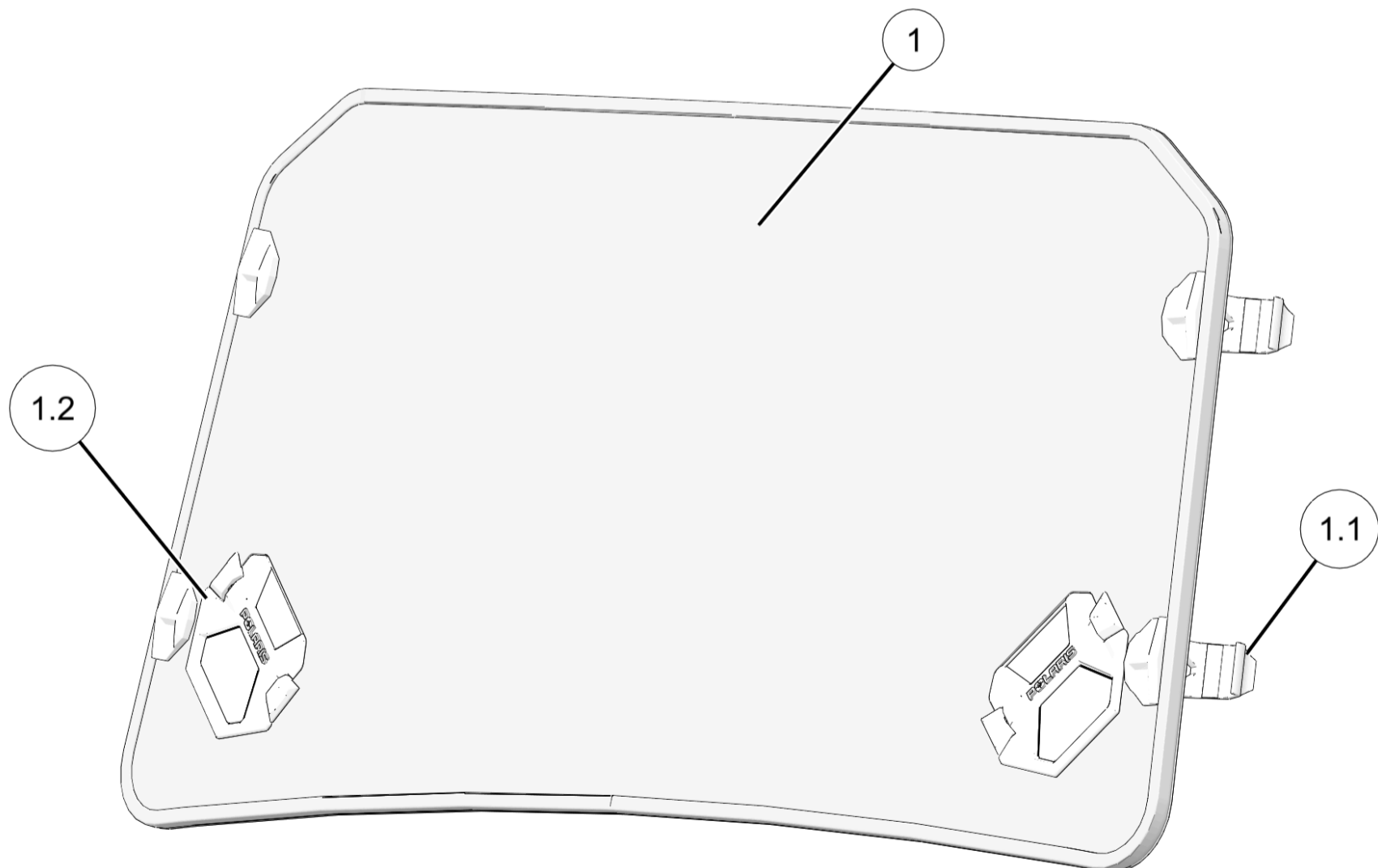
IMPORTANT

If this kit is being installed with *Canvas Upper Door Kit*, P/N 2882548 or 2883453, it will be necessary to modify inboard A-pillar trim panel to fit over windshield clamps. Refer to *Canvas Upper Door Kit* instructions.

Kit Contents

NOTE

Kit P/N 2884223 shown; Kit P/N 2884337 similar.



Ref	Qty	Part Description	P/N Available Separately	Available Service Kit
1	1	Windshield	n/a	n/a

Ref	Qty	Part Description	P/N Available Separately	Available Service Kit
1.1	4	- Clamp Assembly	2636989	n/a
1.2	2	- Vent Assembly	n/a	2212113

Tools Required

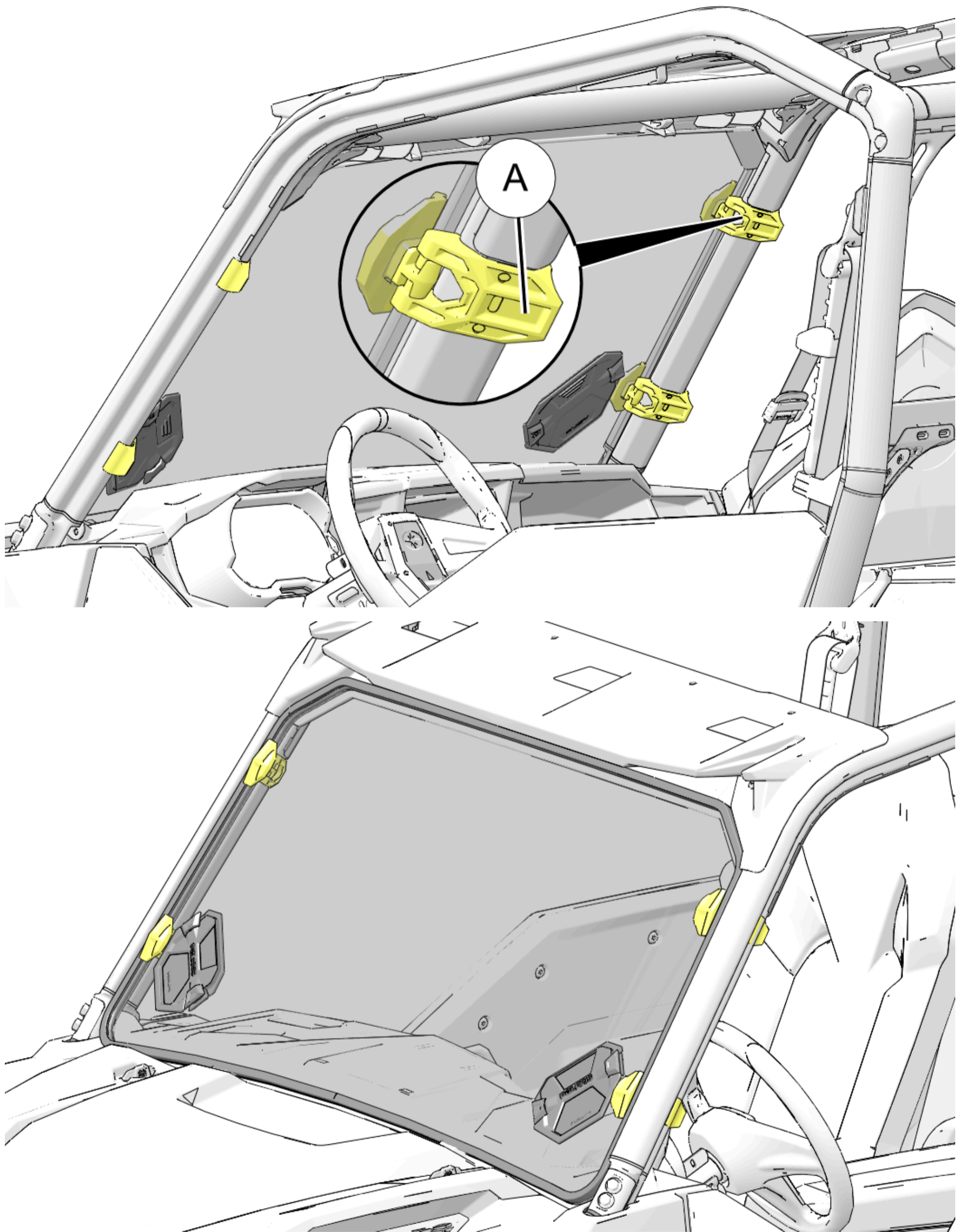
None

Important

Your Windshield Kit is exclusively designed for your vehicle. Please read the installation instructions thoroughly before beginning. Installation is easier if the vehicle is clean and free of debris. For your safety, and to ensure a satisfactory installation, perform all installation steps correctly in the sequence shown.

Installation Instructions

1. Shift vehicle transmission into "PARK". Turn ignition switch to "OFF" position and remove key.
2. Open four clamps (A), position lower edge of windshield (1) against dash panel, then lock clamps to A-pillars.



⚠ WARNING

If transporting vehicle in non-enclosed trailer then vehicle must FACE FORWARD, or windshield must be removed.

Failure to comply may allow airflow, vibration, or other factors to separate windshield from vehicle and cause an accident, resulting in serious personal injury or death.

[Site Map](#)

[Privacy Policy](#)

