

Contents

Select Language ▼

Powered by [Google Translate](#)

Passenger Footrest Kit

P/N 2884813

Before You Begin

Read these instructions and check to be sure all parts and tools are accounted for. Please retain these installation instructions for future reference and parts ordering information.

Tools Required

- Safety Glasses
- Torque Wrench
- Socket Set, Hex Bit, Metric

Important

Your Passenger Footrest Kit is exclusively designed for your vehicle. Please read the installation instructions thoroughly before beginning. Installation is easier if the vehicle is clean and free of debris. For your safety, and to ensure a satisfactory installation, perform all installation steps correctly in the sequence shown.

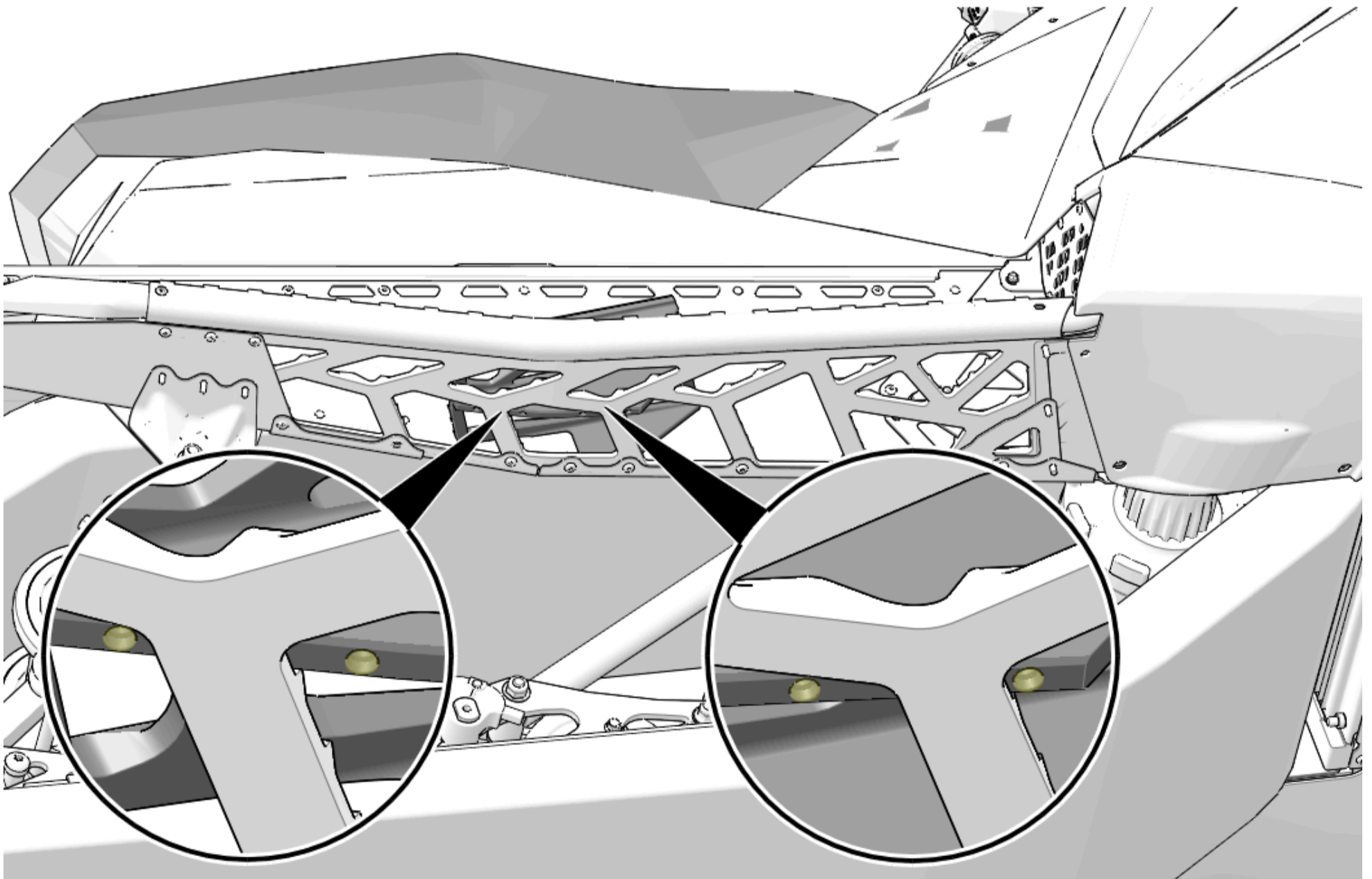
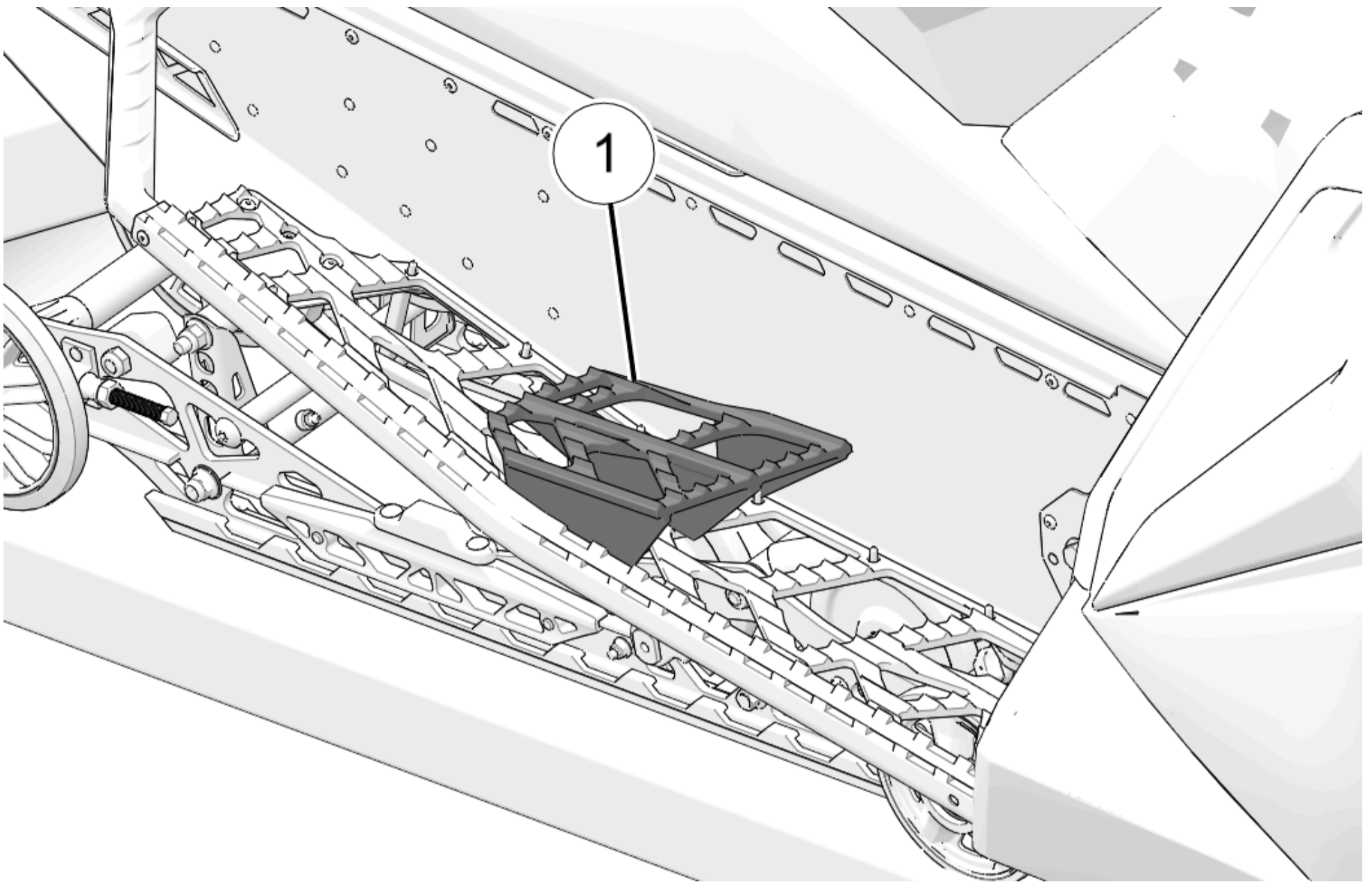
Installation Instructions

1. Ensure vehicle is on a flat stable surface and is stable prior to performing installation.
2. If applicable, turn key to "OFF" position and remove from vehicle.

⚠ CAUTION

Failure to follow above listed instructions may lead to accidental tipping or other unwanted movement resulting in personal injury and/or damage to equipment.

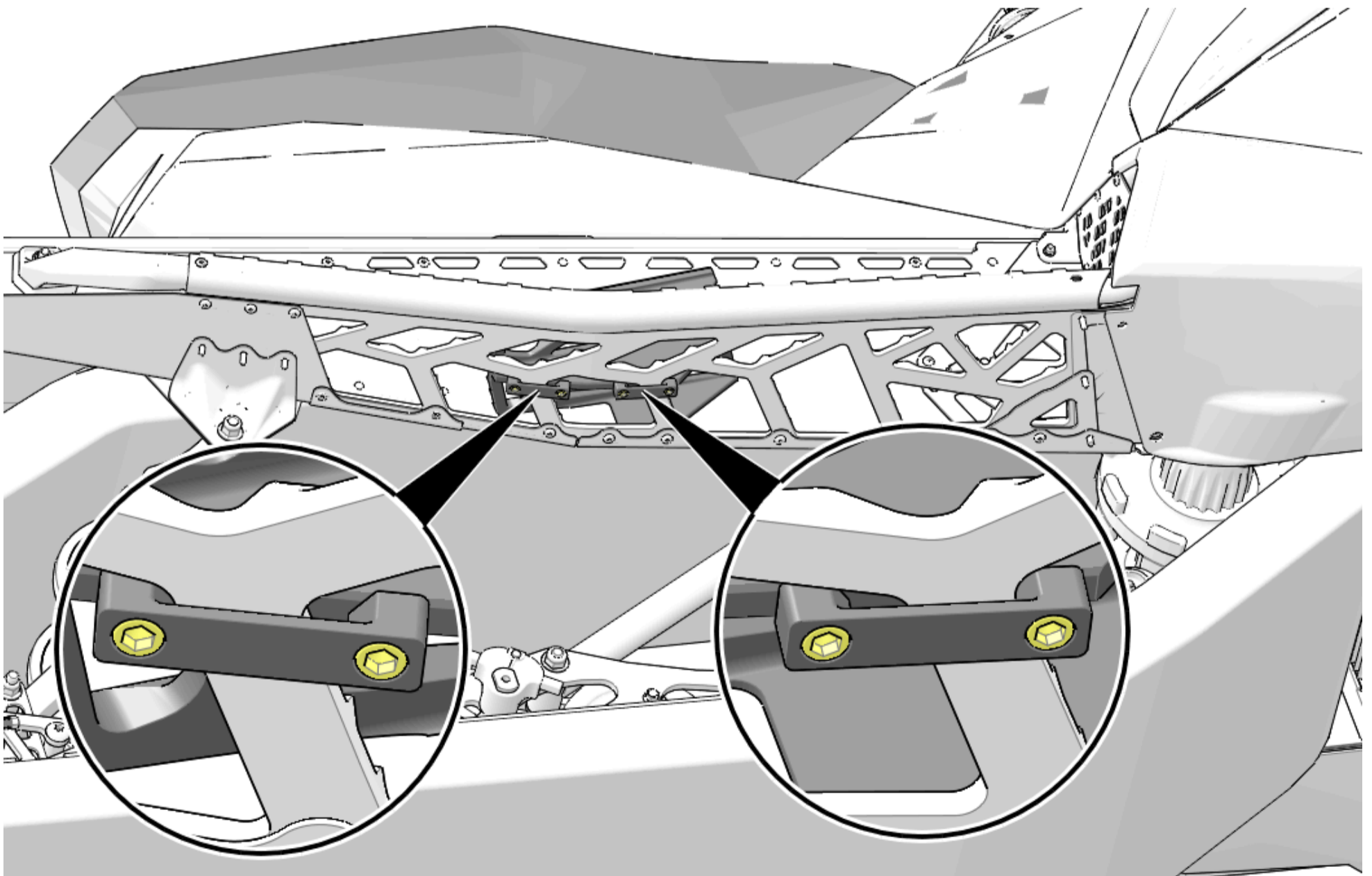
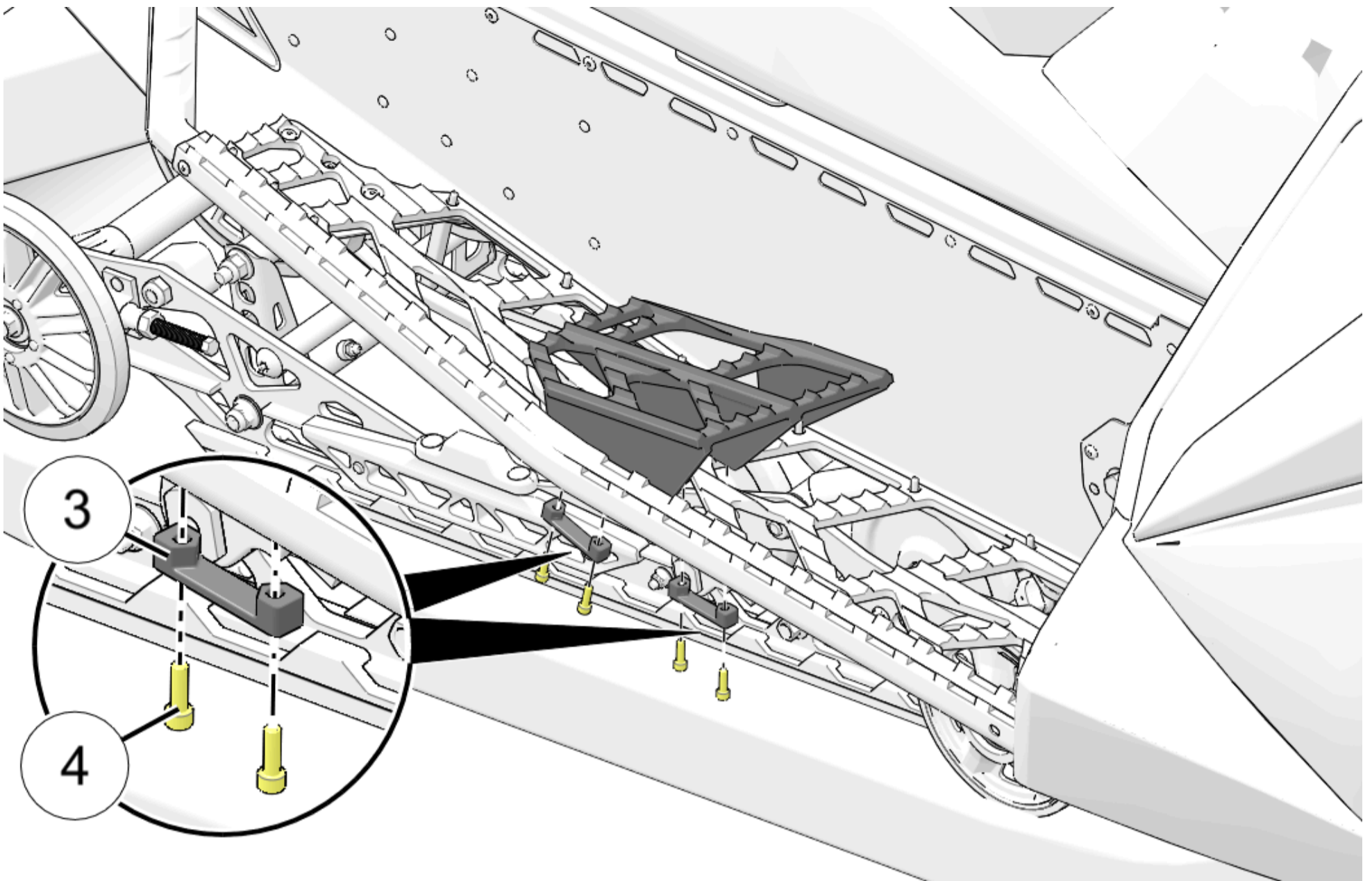
3. Place Right hand passenger footrest **①** into the indicated position. The mounting holes in the bottom of the footrest should be positioned on each side of the tunnel support ribs as shown.



4. Install the lower mounting brackets ③ using the supplied fasteners ④. Start all fasteners by hand then torque to specification provided.

TORQUE

65 in-lbs (7.3 N·m)



5. Repeat steps 1-2 of *Accessory Installation* section for opposite side using the remaining LH side parts provided in kit.

6. Check to make sure all tools are accounted for and all necessary steps have been completed.

Feedback Form

A feedback form has been created for the installer to provide any comments, questions or concerns about the installation instructions. The form is viewable on mobile devices by scanning the QR code or by clicking [HERE](#) if viewing on a PC.



[Site Map](#)

[Privacy Policy](#)

[Accessibility](#)

© 2026 Polaris Inc.