

Contents

Select Language ▼

Powered by [Google Translate](#)

Premium Interior Light Kit by XKGlow®

P/N 2889638; 2891305

IMPORTANT

Due to the technical nature of this kit, Polaris® insists that this installation be performed by a certified Slingshot® technician.

Before You Begin

Before beginning assembly, inspect the kit and its component(s) to be sure all parts and tools are accounted for and not damaged. If missing parts or parts are damaged, please contact your Selling Dealer for assistance.

If your accessory was purchased online, please contact Slingshot® customer service at **1-855-863-2284** (US & Canada only).

Application

Verify accessory fitment at www.polarisslingshot.com.

IMPORTANT

This Premium Interior Light Kit by XKGlow® cannot be used with the Multicolor Interior LED Lighting Kits (P/N 2880549, 2889059, 2884805, 2884806, 2884807, 2884808, 2884809).

Disclaimer Accessory Weight

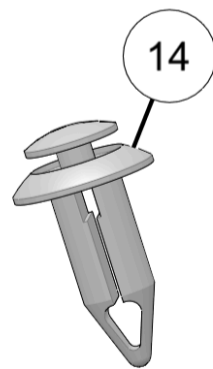
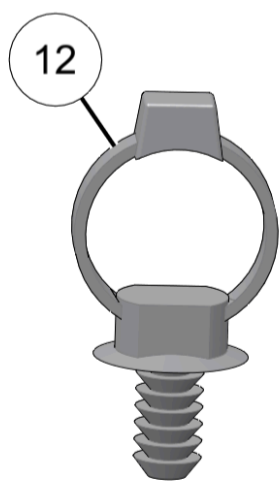
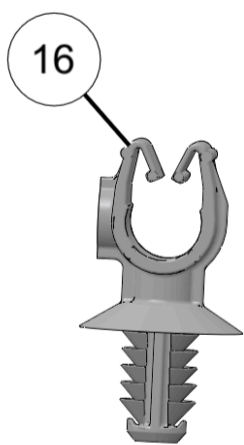
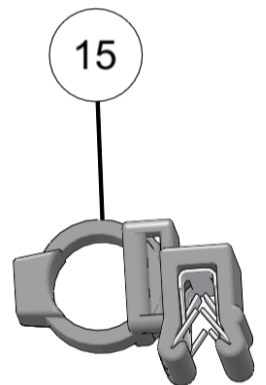
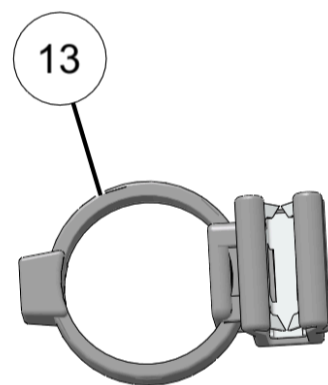
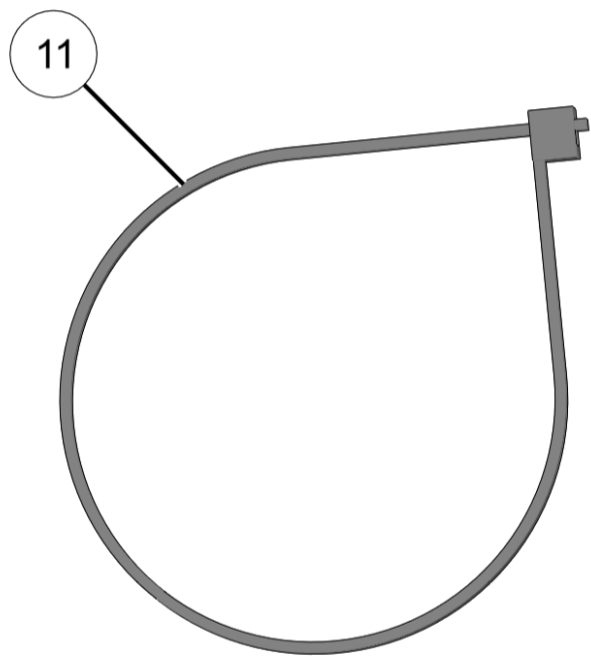
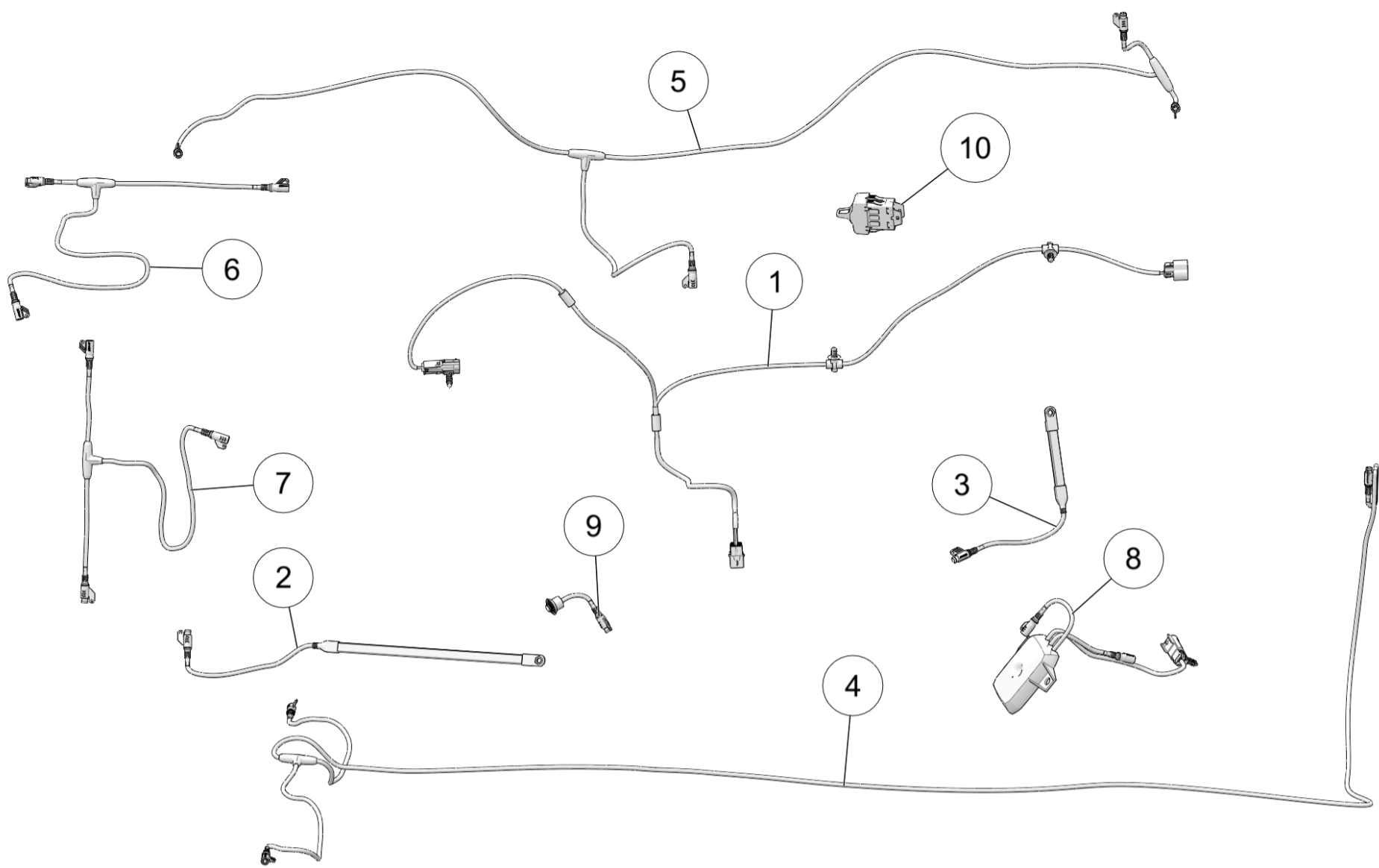
When adding accessories, equipment, passengers and luggage to your vehicle, do not exceed the total weight capacity of the vehicle or of the front or rear axle (GVWR or GAWR as indicated on the Safety Compliance Certification label). Ask an authorized dealer for specific weight information if you need assistance. It is the owner's responsibility to use the Polaris Slingshot Accessories website as a tool for limiting the amount of accessories, based on maximum allowable vehicle weight requirements. It may be a violation of the Clean Air Act or the NHTSA regulations to disregard these requirements. For a complete listing of the accessories that are available for your vehicle, please contact your authorized dealer or visit the online store web site:

Web Address (United States): <http://www.polaris.com/en-us/slingshot/shop/accessories> .

Required Sold Separately

Only parts for installation of the Premium Interior Light Kit by XKGlow® are included. For complete installation, the Slingshot® LED application by Polaris® Industries is required (available in Android and Apple app stores. Search "Slingshot LED" by "Polaris Industries").

Kit Contents

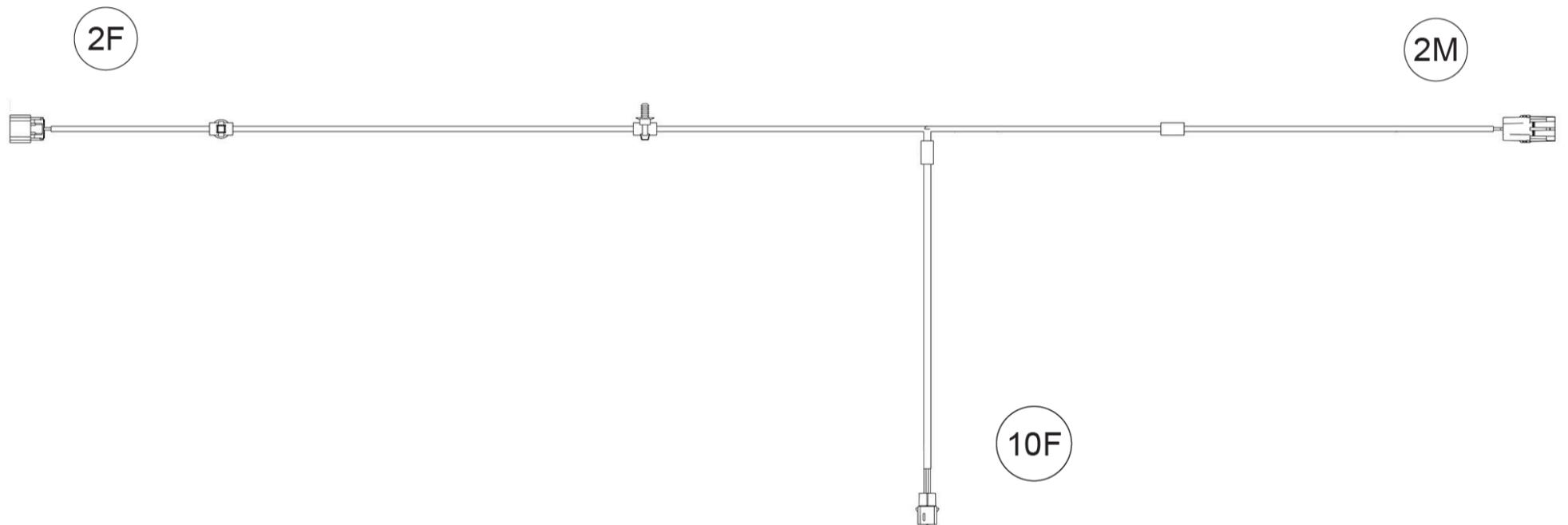


Ref	Qty	Part Description	P/N Available Separately
1	1	Harness – Multicolor Interior LED	2415793
2	4	LED – Interior Light, Footwell/Rocker	2415830
3	2	LED – Interior Light, Seat	2415831
4	1	Harness – Interglow, Rear	2416476
5	1	Harness – Interior Light, Footwell	2415833
6	1	Harness – Interglow, Rear, Left, Extension	2416477

Ref	Qty	Part Description	P/N Available Separately
7	1	Harness – Interglow, Rear, Right, Extension	2416478
8	1	Controller – Bluetooth®	2415836 (Kit P/N 2889638 Only) 4082146 (Kit P/N 2891305 Only)
9	1	LED – Interior Light, Center Console	2415868
10	1	Switch – Multicolor Interior Light	4019945
11	20	Cable Tie	7080138
12	5	Fir Tree Clip	7081496
13	2	Edge Clip	7082402
14	2	Push-pin rivet –Tuflok, (.315–.325 X .787 mm)	7661855
15	4	Edge Clip	7082403
16	2	Routing Clip	7082542

Harness Detail

MULTICOLOR INTERIOR LED HARNESS ① – P/N 2415793



Ref	Part Description	Connects to
2F	Connector – Harness, Bluetooth®	Bluetooth® controller ⑧
10F	Connector – Harness, console switch	Console Switch ⑩
2M	Connector – Chassis power	Vehicle chassis wiring

Example: 16F = 16 pin, Female / 16M = 16 pin, Male (Male terminal fits inside female terminal)

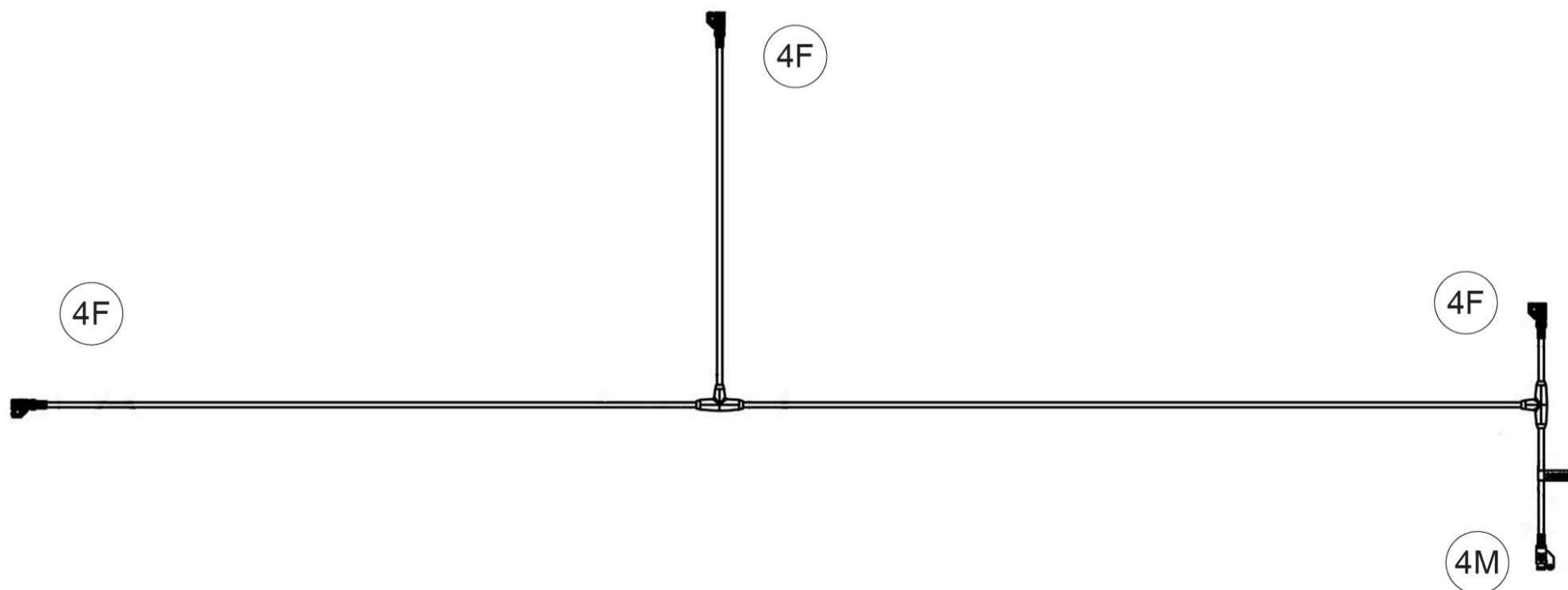
REAR INTERGLOW HARNESS (4) – P/N 2416476



Ref	Part Description	Connects to
4F	Connector – Harness, Rear Interglow, left extension (straight from tee)	Left Rear Interglow harness extension (6)
4F	Connector – Harness, Rear Interglow, right extension (perpendicular from tee)	Right Rear Interglow harness extension (7)
4M	Connector – Controller, Bluetooth®	Bluetooth® controller (8)

Example: 16F = 16 pin, Female / 16M = 16 pin, Male (Male terminal fits inside female terminal)

FOOTWELL INTERIOR LIGHT HARNESS (5) – P/N 2415833

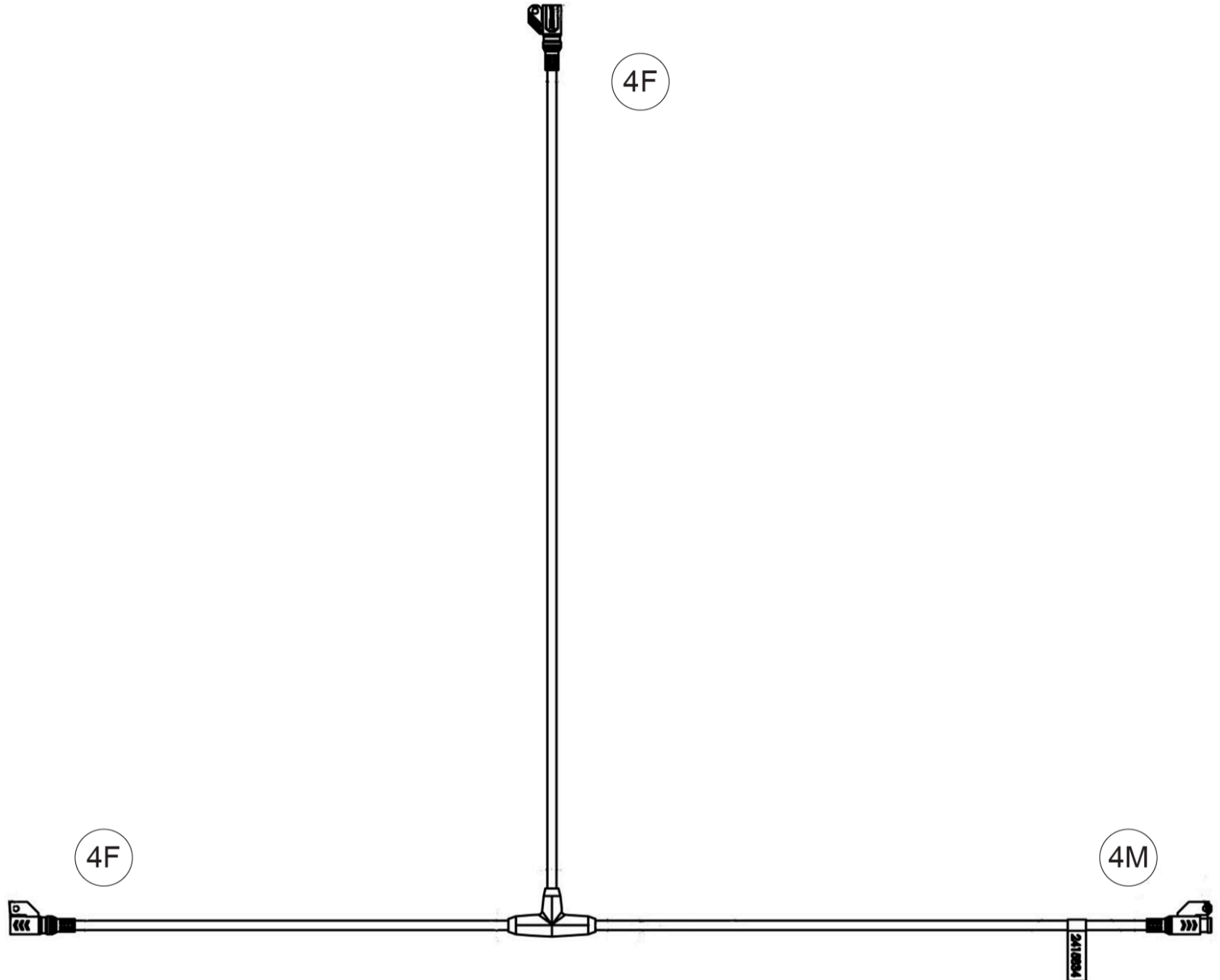


Ref	Part Description	Connects to
4F	Connector – Interior light, footwell (longest lead)	Footwell LED (2)
4F	Connector – Interior light, center console (perpendicular from tee)	Center Console LED (9)

Ref	Part Description	Connects to
4F	Connector – Interior light, footwell (shortest lead)	Footwell LED ②
4M	Connector – Controller, Bluetooth®	Bluetooth® controller ⑧

Example: 16F = 16 pin, Female / 16M = 16 pin, Male (Male terminal fits inside female terminal)

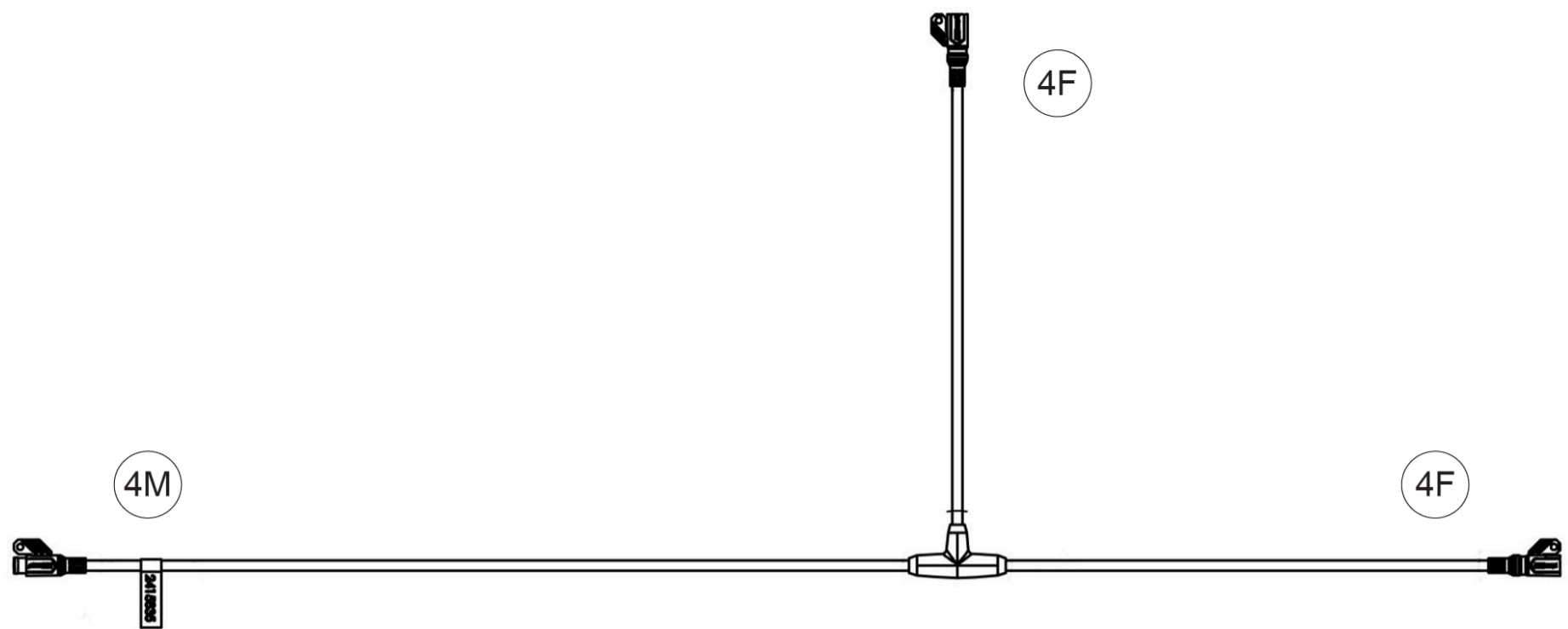
LEFT REAR INTERGLOW HARNESS EXTENSION ⑥ – P/N 2416477



Ref	Part Description	Connects to
4F	Connector – Interior light, rocker	Footwell/rocker LED ②
4F	Connector – Interior light, seat (longest lead)	Seat LED ③
4M	Connector – Interglow, rear	Rear Interglow harness ④, 4F connector – harness, seat, left extension (straight from tee)

Example: 16F = 16 pin, Female / 16M = 16 pin, Male (Male terminal fits inside female terminal)

RIGHT REAR INTERGLOW HARNESS EXTENSION ⑦ – P/N 2416478



Ref	Part Description	Connects to
4M	Connector – Harness, Interglow rear	Rear Interglow harness
4F	Connector – Interior light, seat (perpendicular from tee)	Seat LED ③
4F	Connector – Interior light, rocker (straight from tee)	Footwell/rocker LED ②
Example: 16F = 16 pin, Female / 16M = 16 pin, Male (Male terminal fits inside female terminal)		

Tools Required

- Safety Glasses
- Pliers, Push Pin Rivet
- Socket Set, Hex Bit, Metric
- Socket Set, SAE
- Socket Set, Torx® Bit
- Vehicle Lift/Support Equipment

Important

Your Premium Interior Light Kit by XKGlow® is exclusively designed for your vehicle. Please read the installation instructions thoroughly before beginning. Installation is easier if the vehicle is clean and free of debris. For your safety, and to ensure a satisfactory installation, perform all installation steps correctly in the sequence shown.

Installation Instructions

Vehicle Preparation

General

1. Park vehicle on a flat surface.
2. Shift vehicle to NEUTRAL
3. Apply parking brake.
4. Press START/STOP button to turn vehicle OFF.
5. Remove key fob from proximity of vehicle.

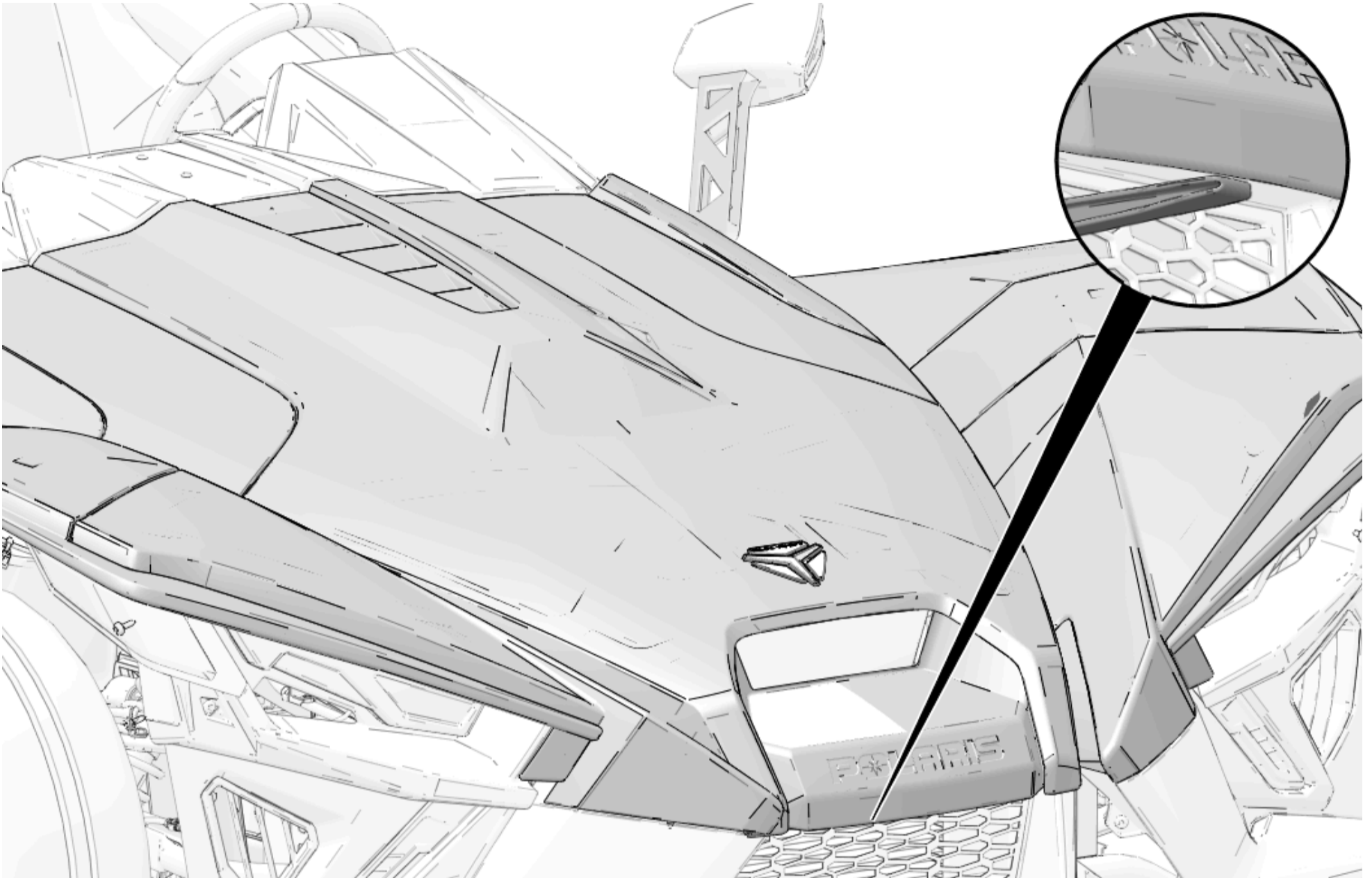
Hood Opening

1. Make sure parking brake is applied.

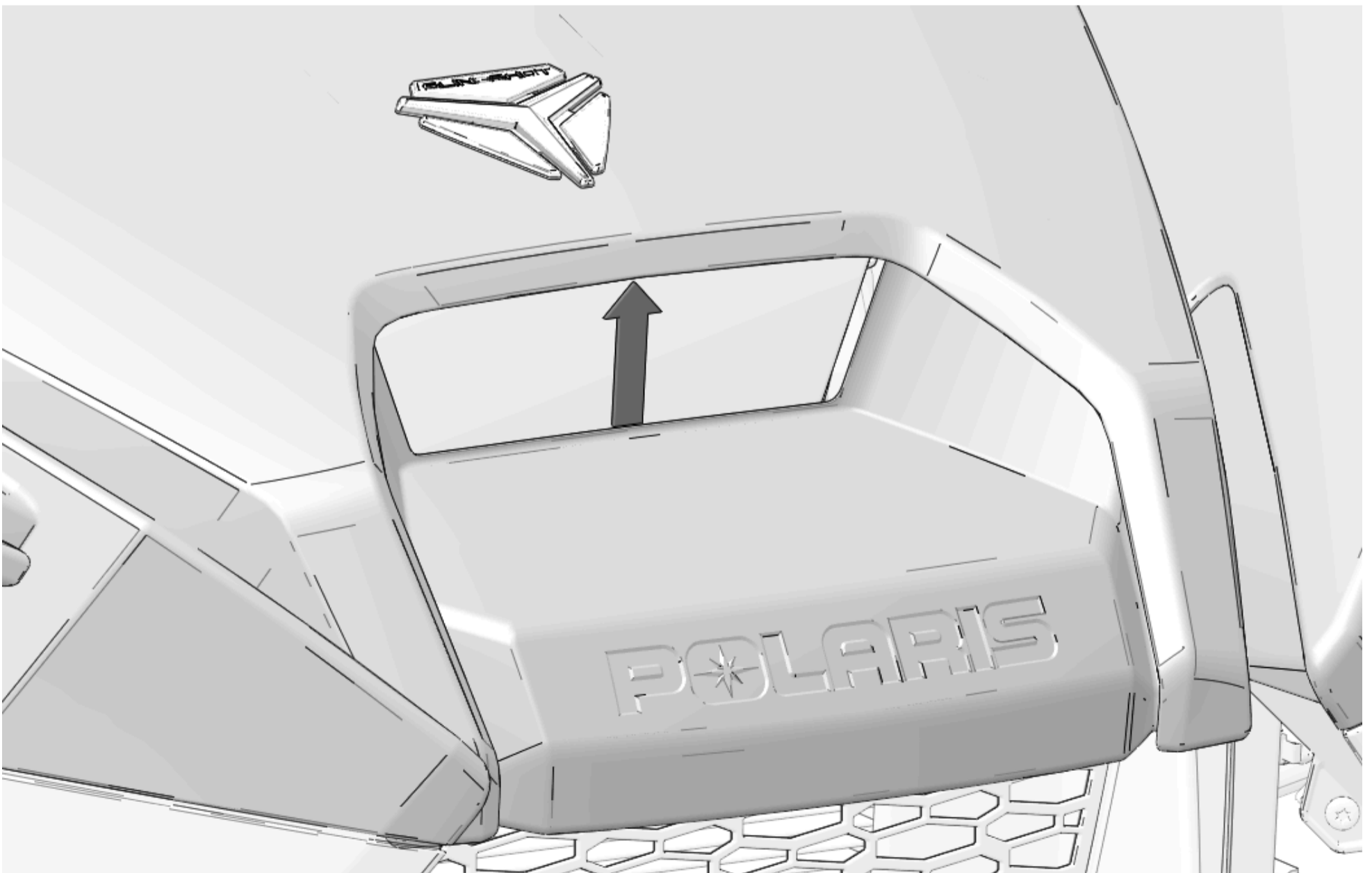
⚠ WARNING

Do not grab plastic directly above the hood release lever to open the hood. This may damage the hood.

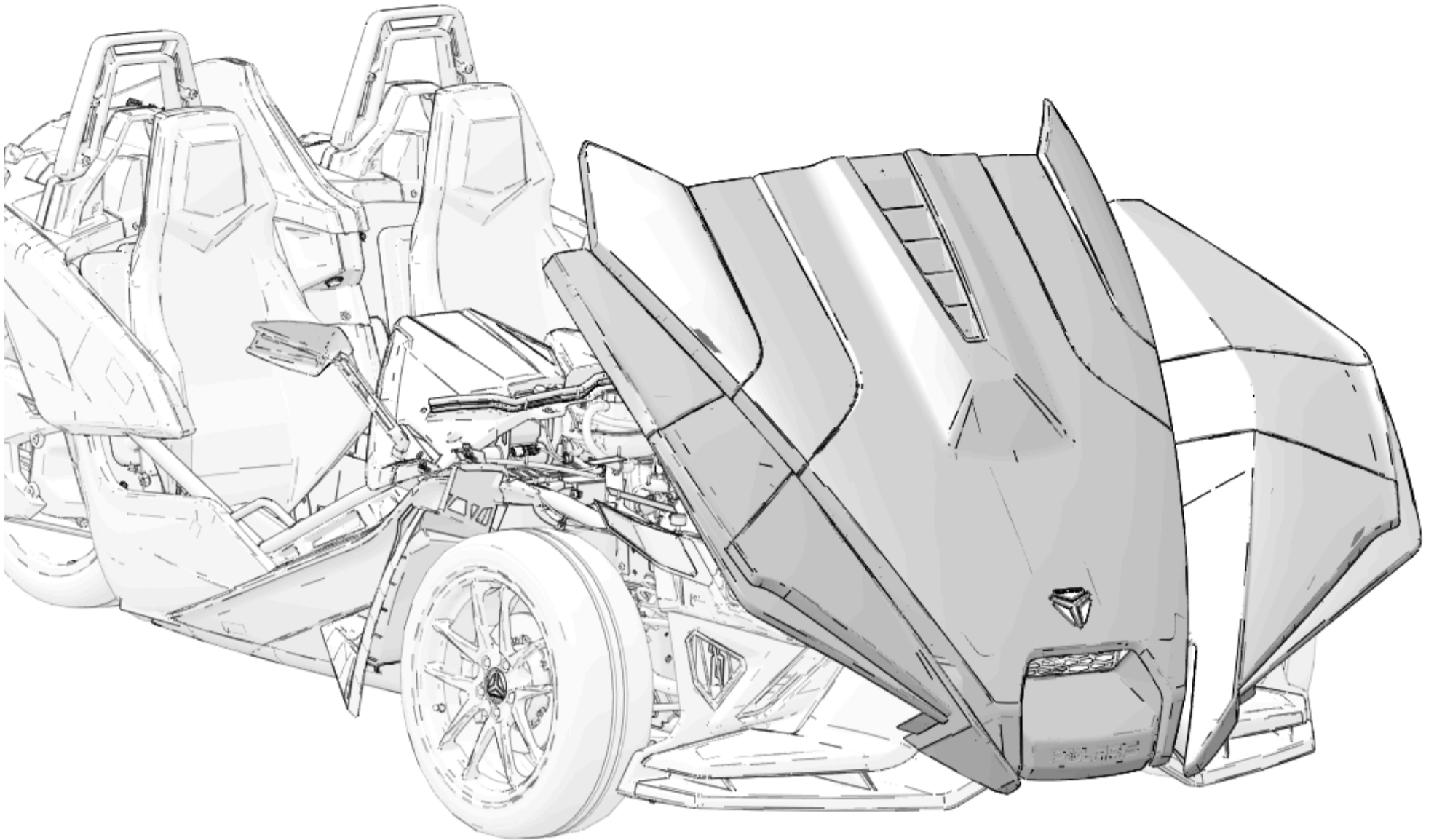
2. Pull hood release lever upward to disengage four hood latches.



3. Pull upwards on hood underside, above LED lamp, using two hands.

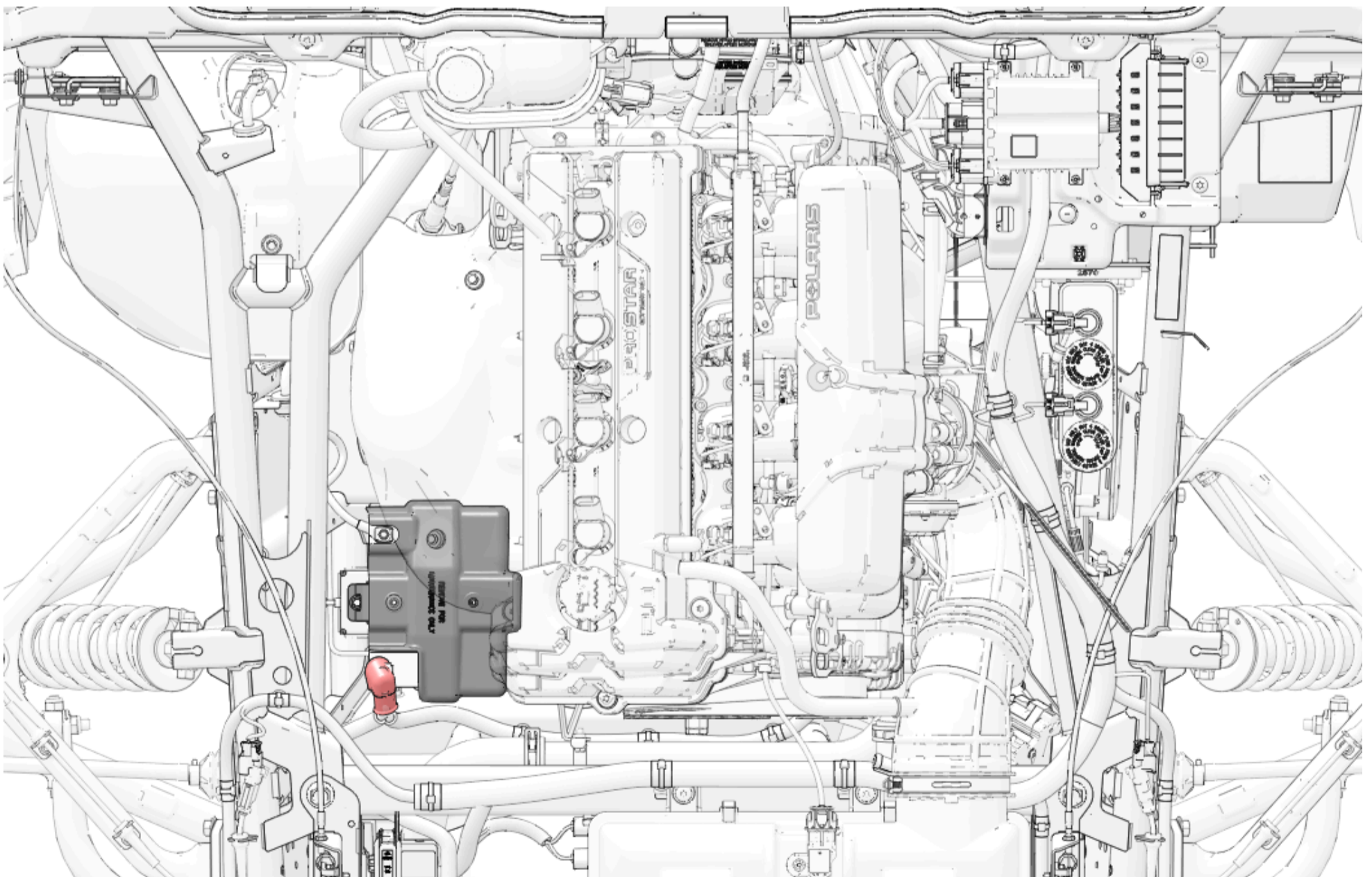


4. Pull hood upward and forward, turning hood to a vertical position.

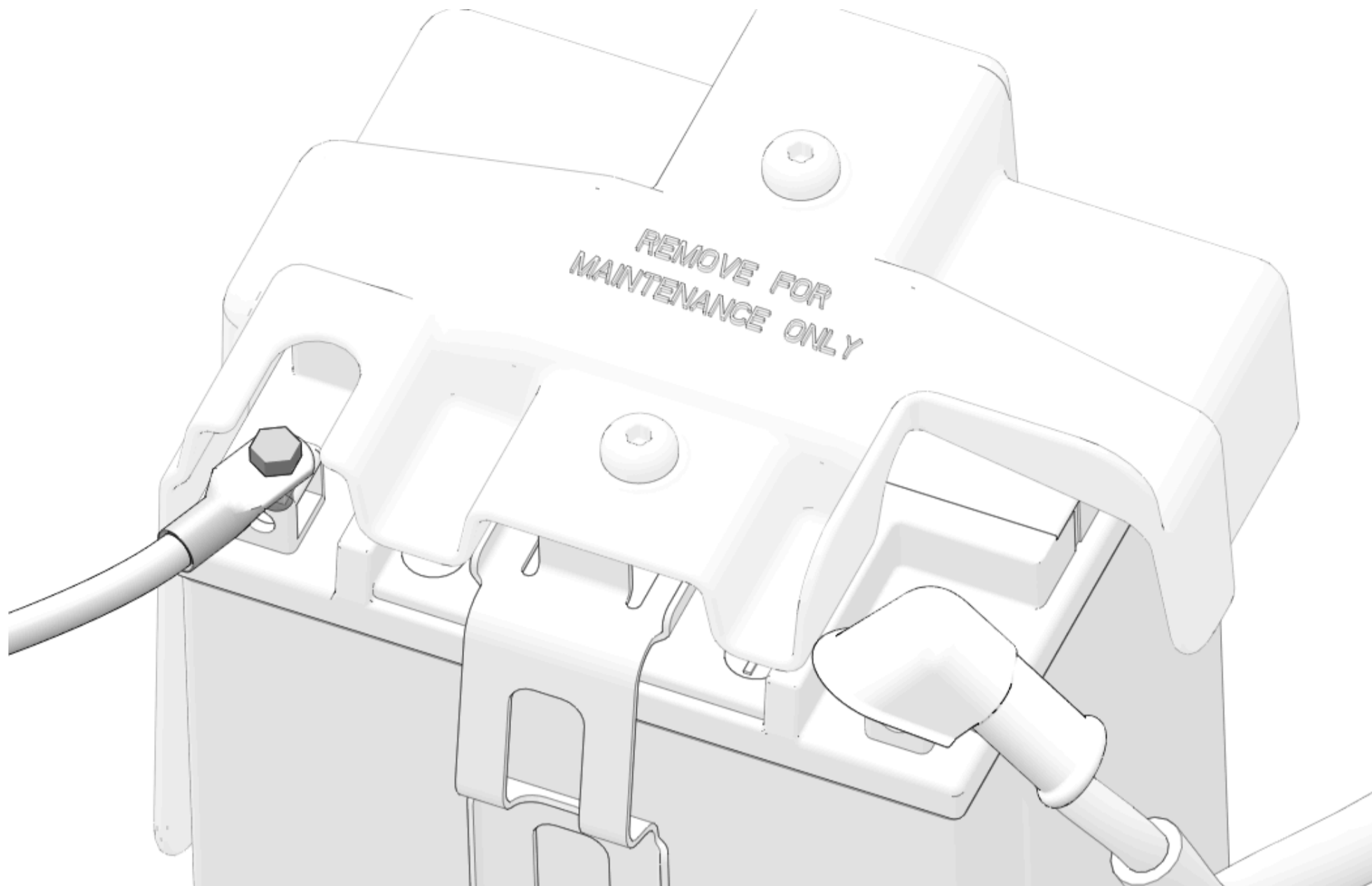


Battery Disconnect

1. Identify battery location on right side of engine bay.

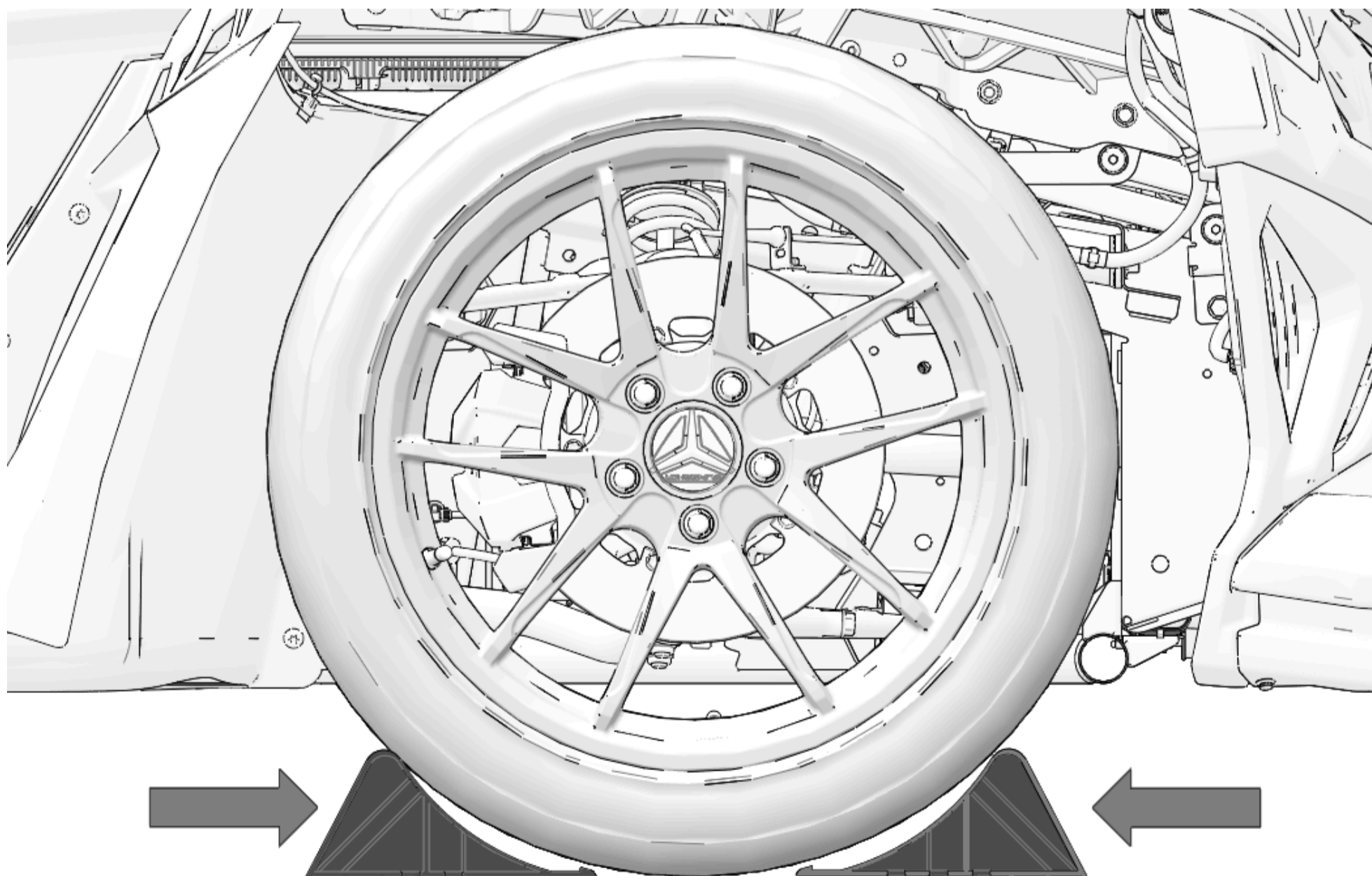


2. Remove negative (-) battery terminal bolt and disconnect negative (-) battery cable.



Chock Wheels

1. When lifting the rear wheel with a floor jack, always chock at least one of the front tires with a wheel chock on both the front and back side of the tire.



Lift Vehicle

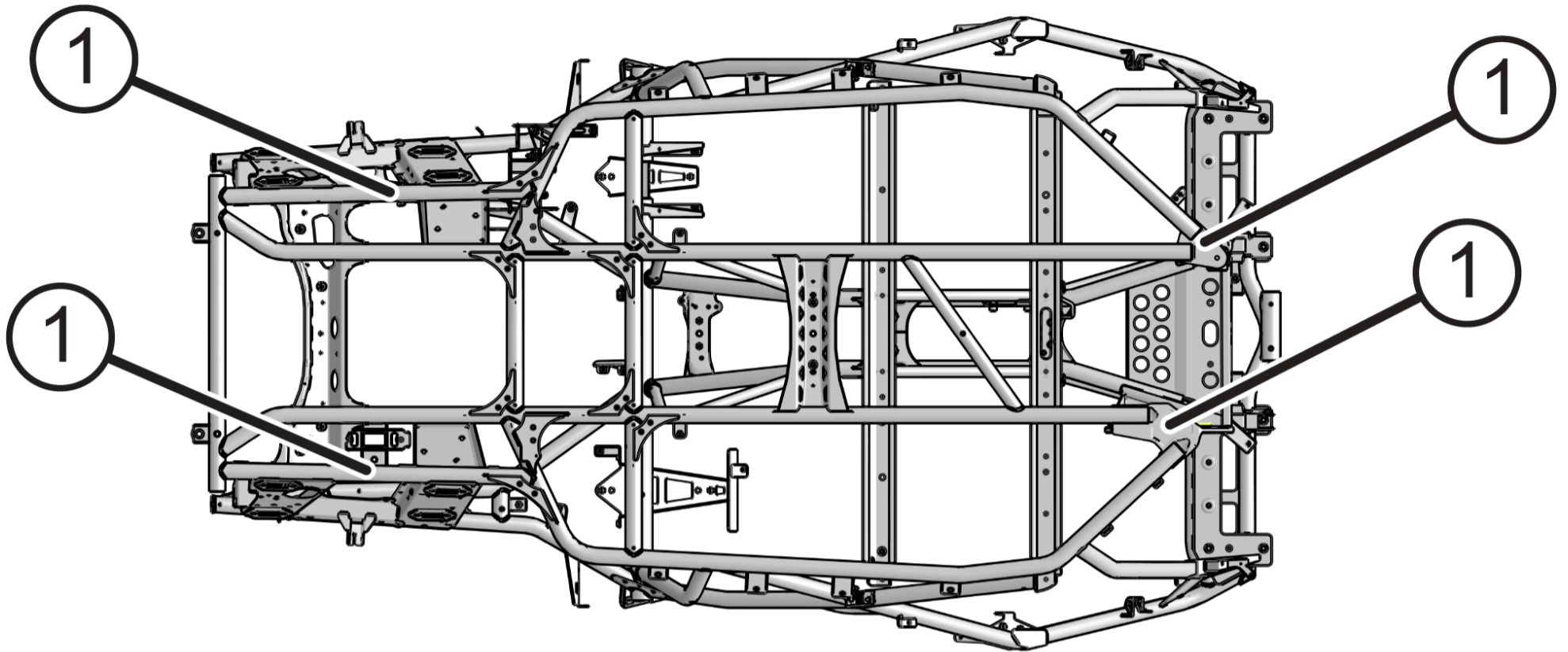
⚠ WARNING

- Serious injury or death can occur if the vehicle moves or falls while elevated. When elevating is necessary, make sure the vehicle is properly elevated and stable before performing service.

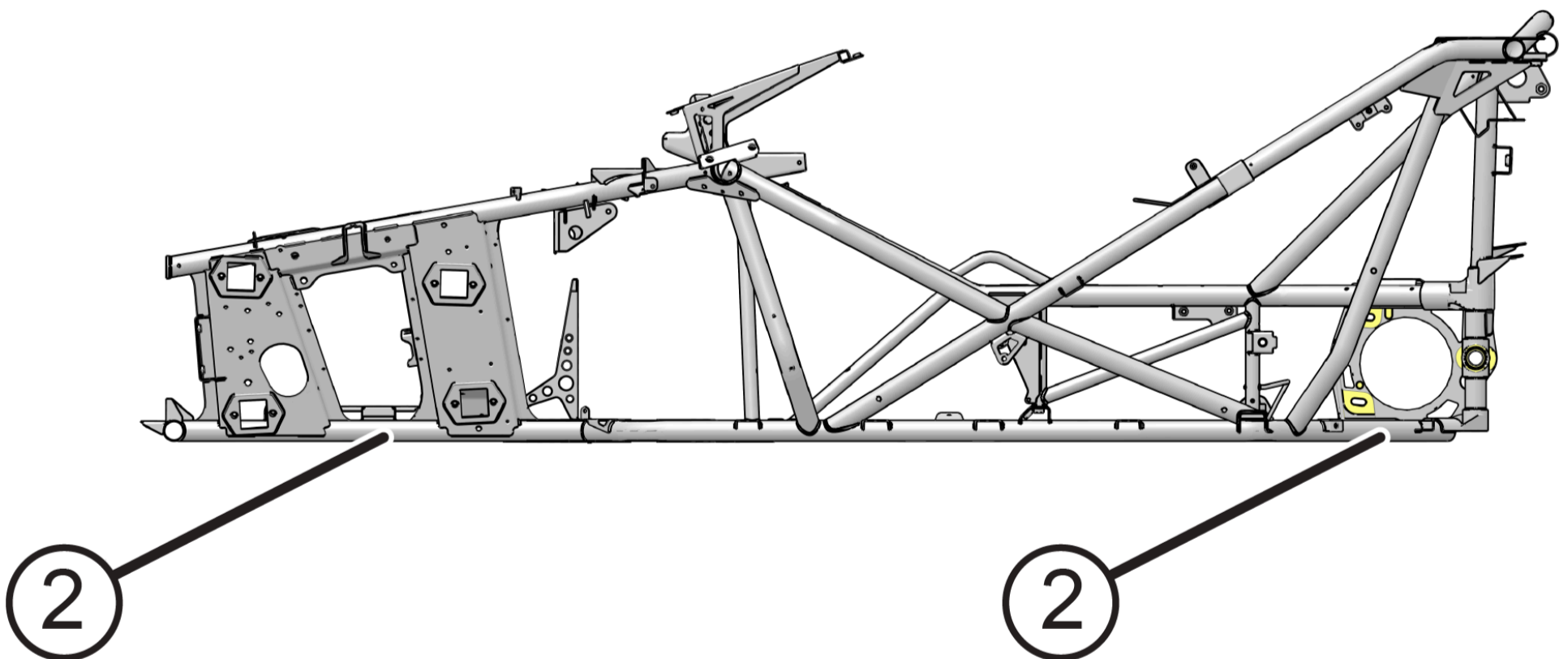
- DO NOT attempt to elevate your vehicle without proper equipment. If you're not familiar with using floor jacks or lift mechanisms, see your dealer for service.

1. To elevate the Slingshot® vehicle, use automotive-quality floor jacks. Use the floor jacks on a firm, flat surface.
2. Make sure the floor jacks are positioned under the frame rails in the front where the lower control arm mounts to the frame, or in the rear where the frame rails meet.

- ① Bottom View of Lift Points



- ② Side View of Lift Points

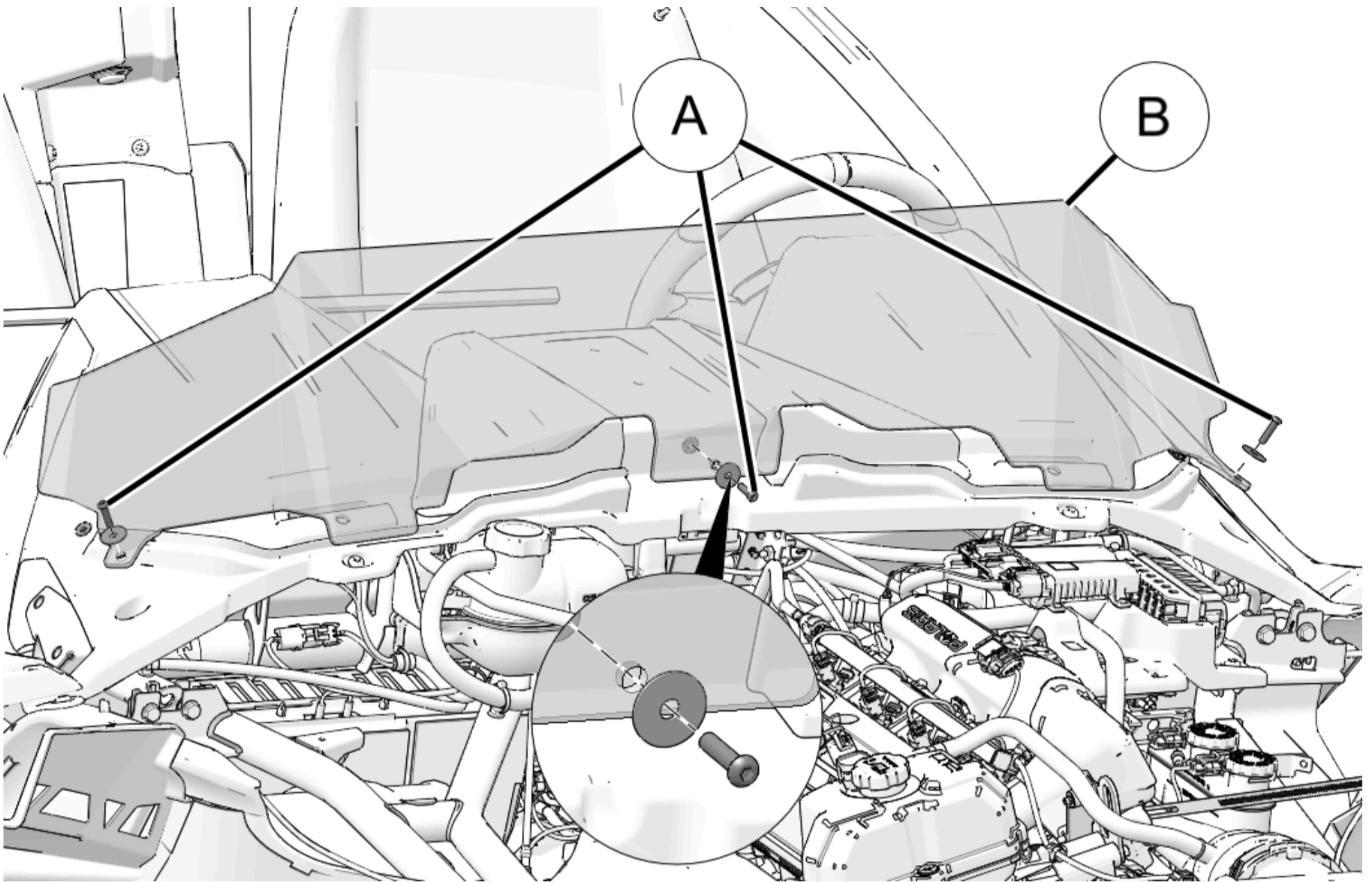


Wind Deflector Removal (If equipped)

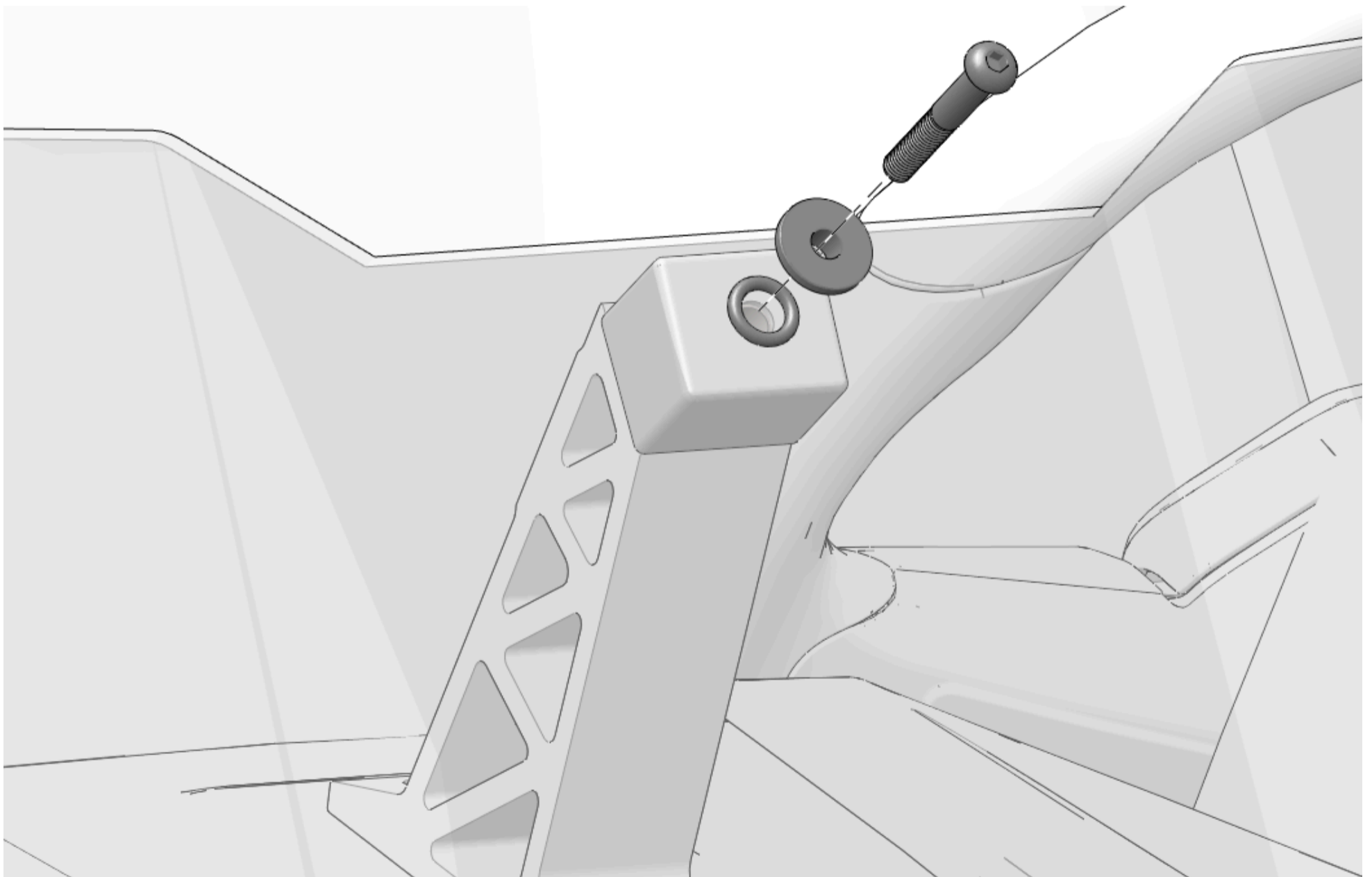
NOTICE

Wind deflectors vary in size and shape but all mount to the same mounting points.

1. Remove three fasteners (A) from base of wind deflector (B).



2. If equipped, remove screw, washer and O-ring from center wind deflector post.



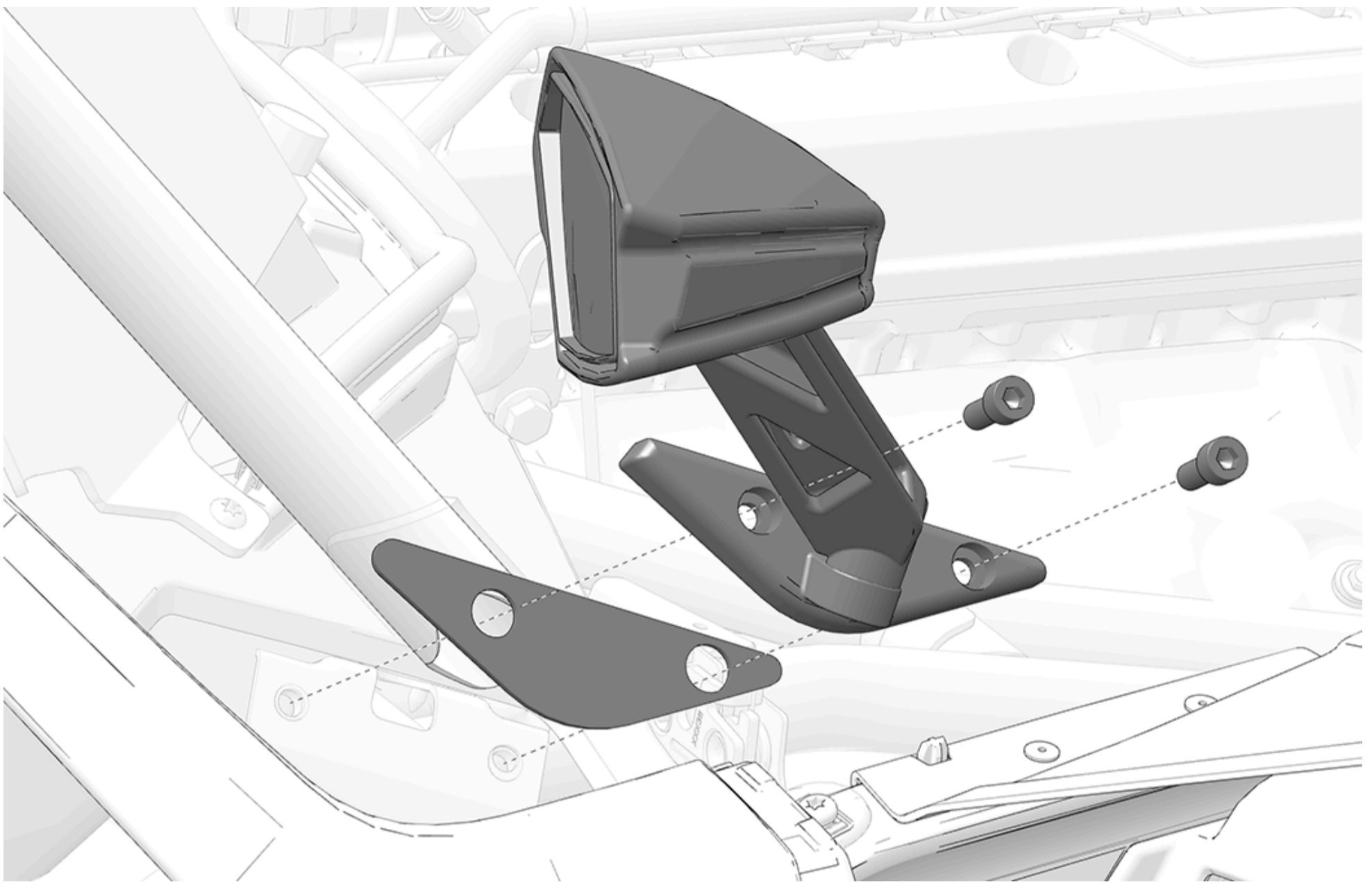
3. Remove wind deflector and carefully set aside.

Mirror Removal

1. Remove and keep two mirror mounting screws and rubber damper. Remove mirror from vehicle.

NOTICE

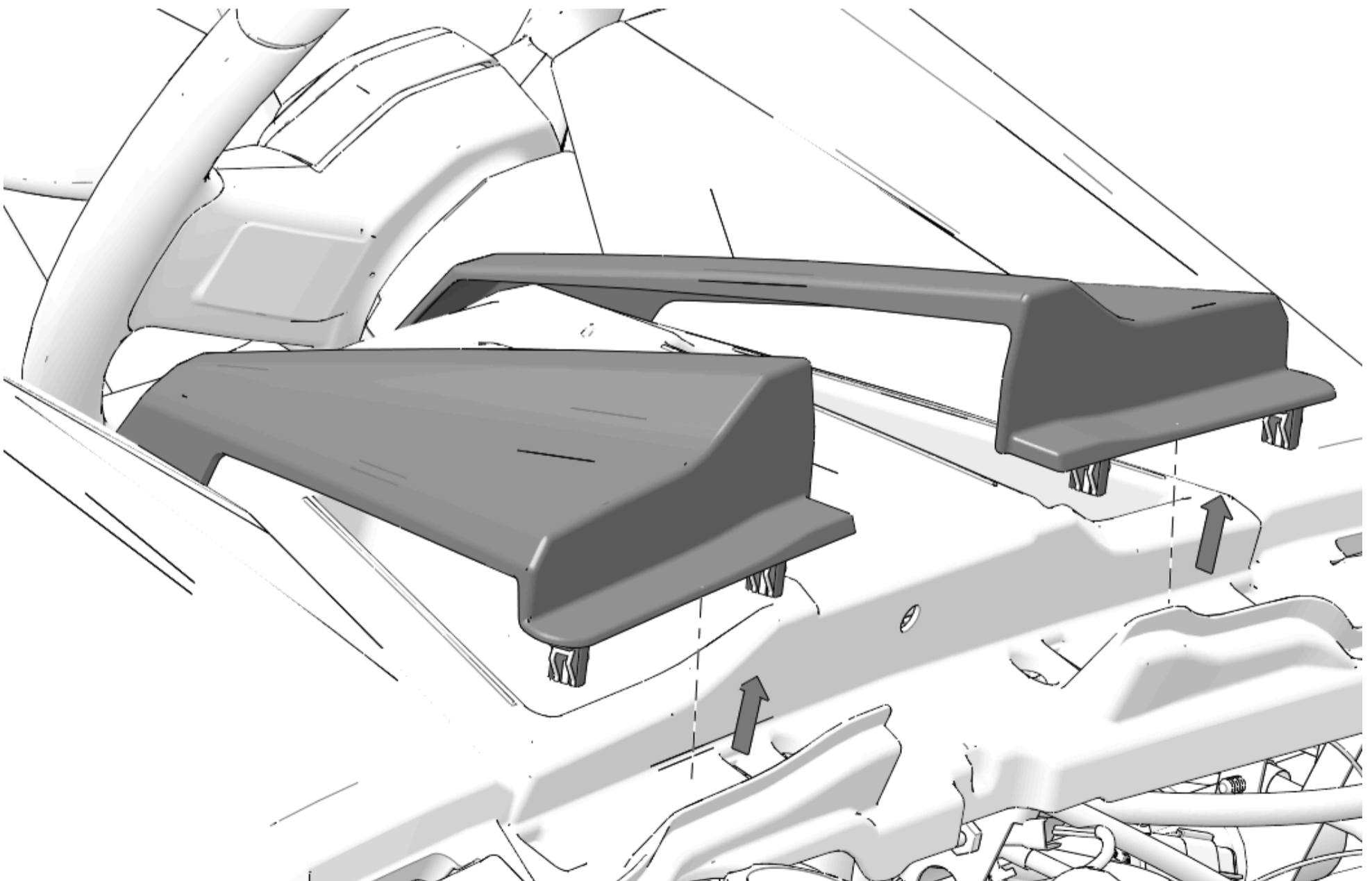
Right side shown; left side similar.



Upper Dash Removal

Upper Dash Painted Panels Removal (If Equipped)

1. Remove and keep upper dash painted panels. Lift front edges to release clips.

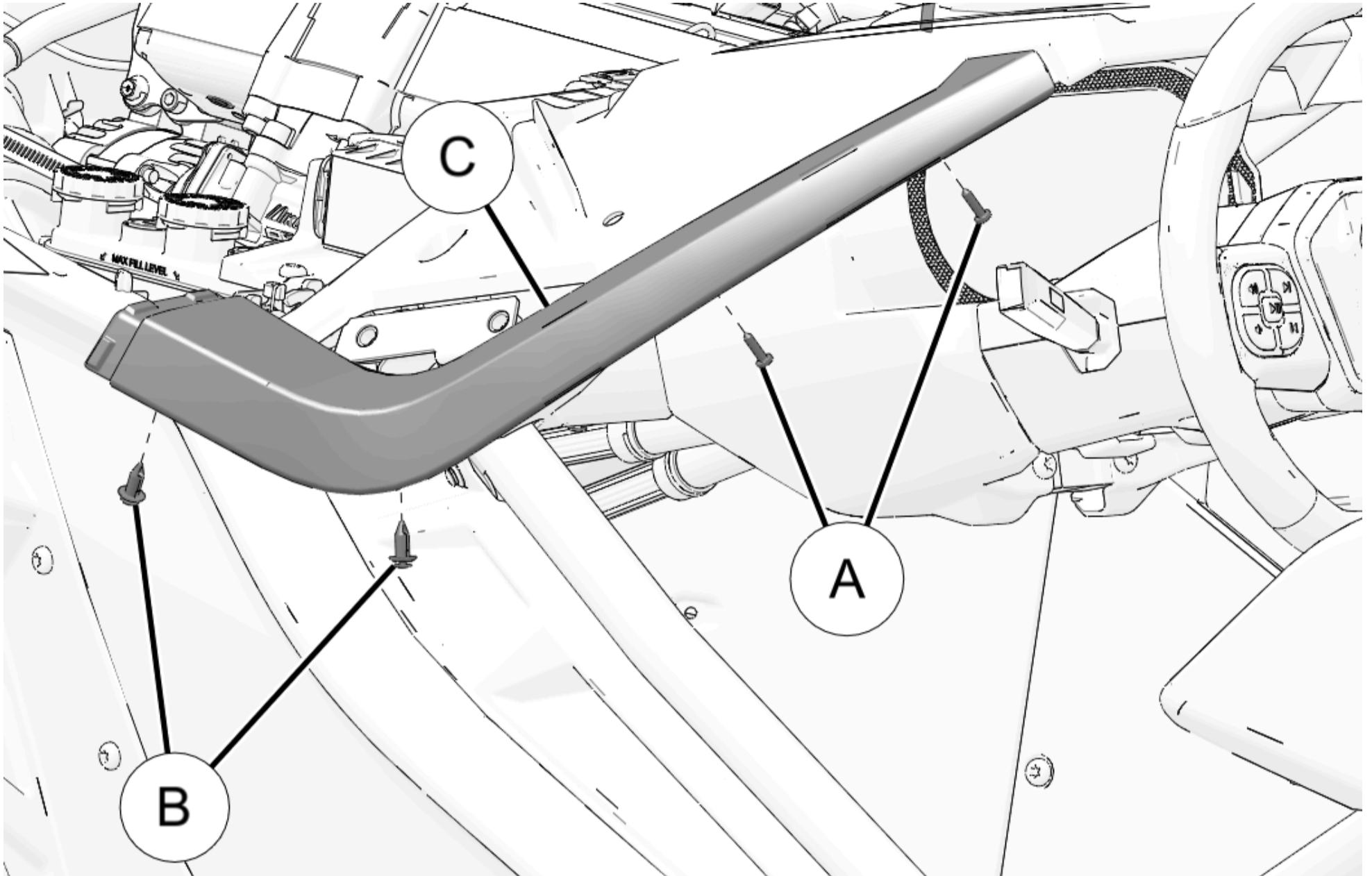


Side Trim Panel Removal

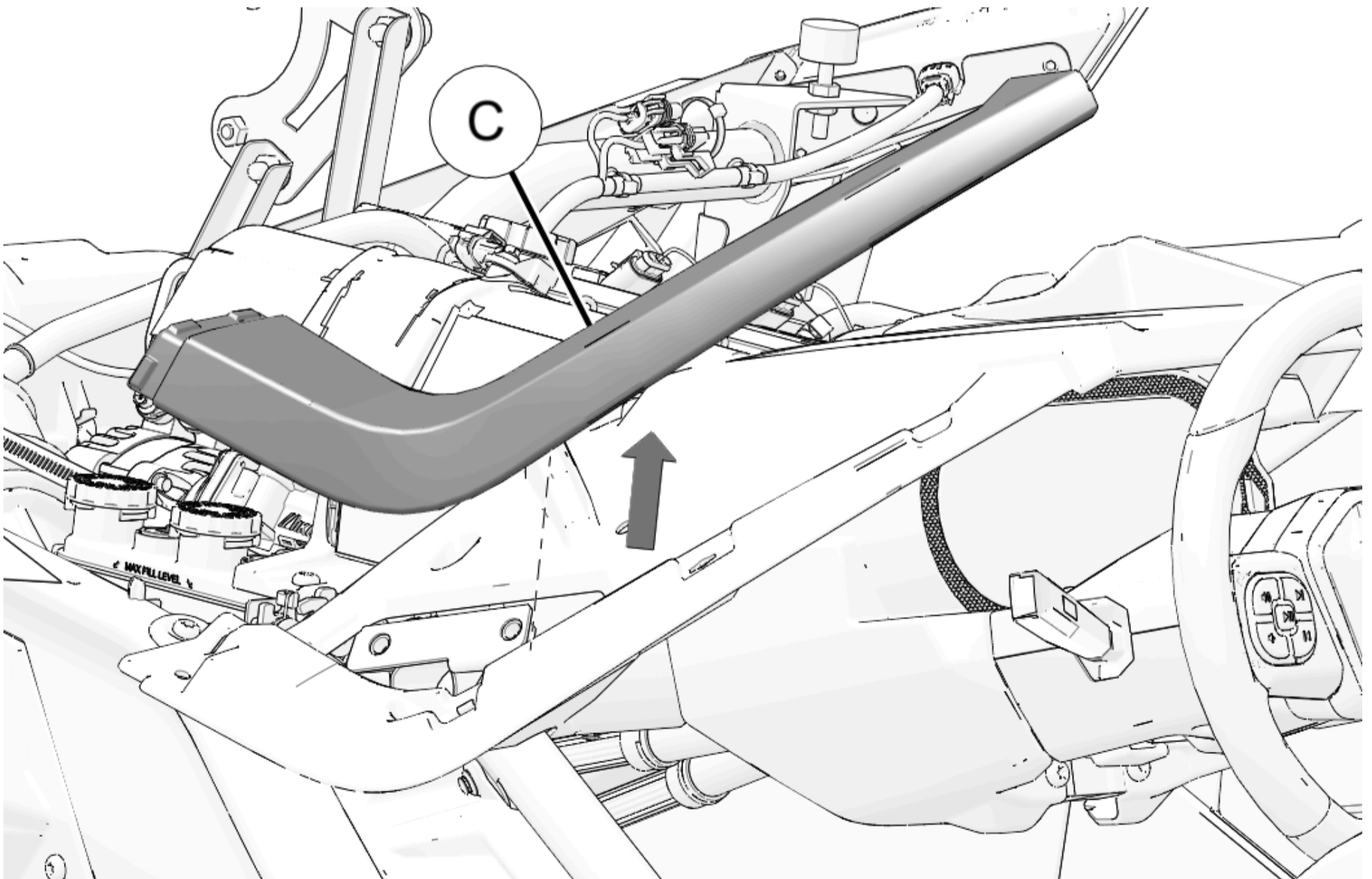
NOTICE

Left side shown; right side similar.

1. Remove and keep two screws (A) and two push-pin rivets (B) from side trim panel (C).



2. Remove side trim panel (C) and carefully set aside.



Upper Dash Panel Removal

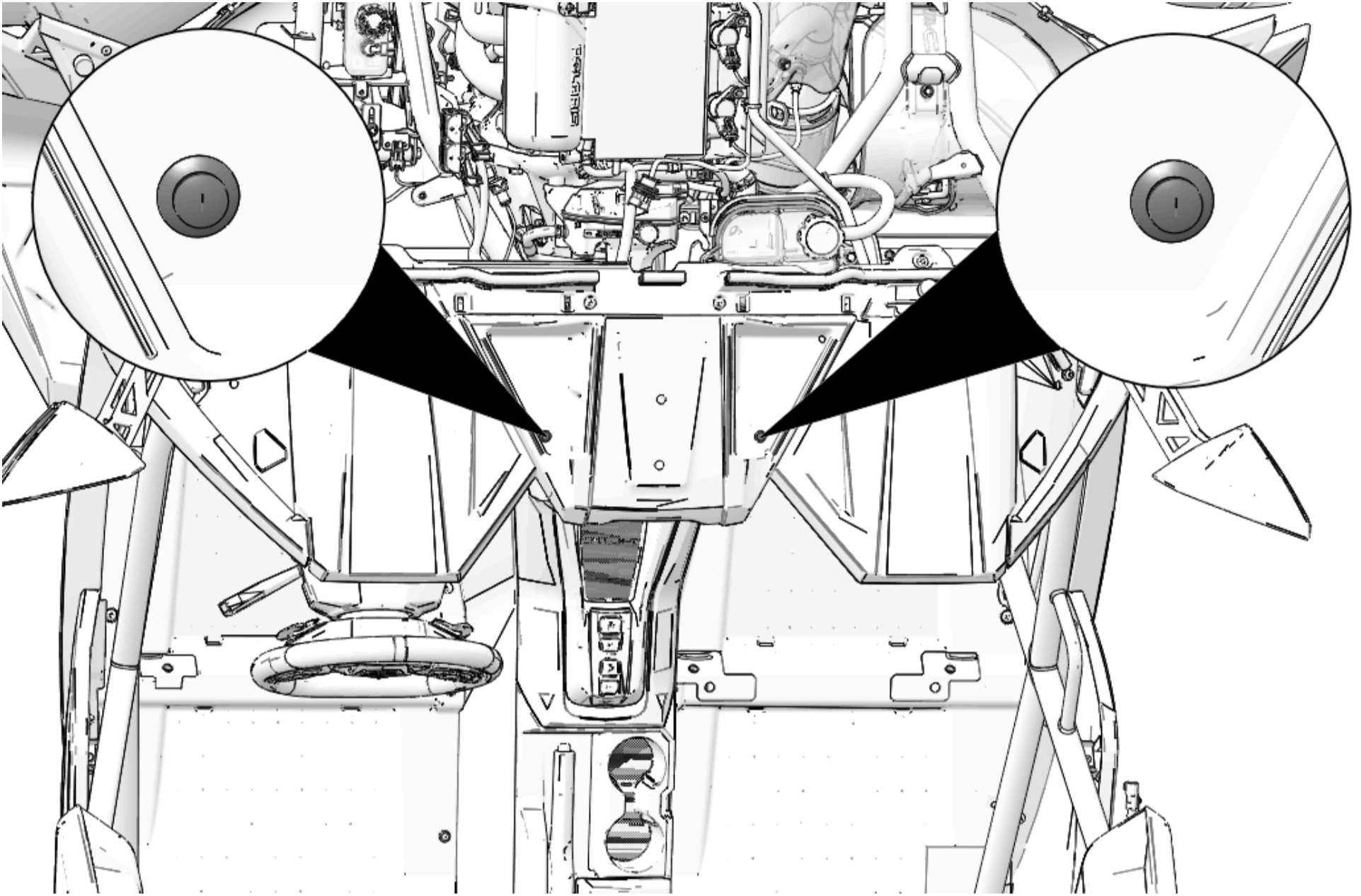
NOTICE

Push-pin rivet may be installed differently depending on the model. See images below.

1. Remove and keep two push-pin rivets from the upper dash.

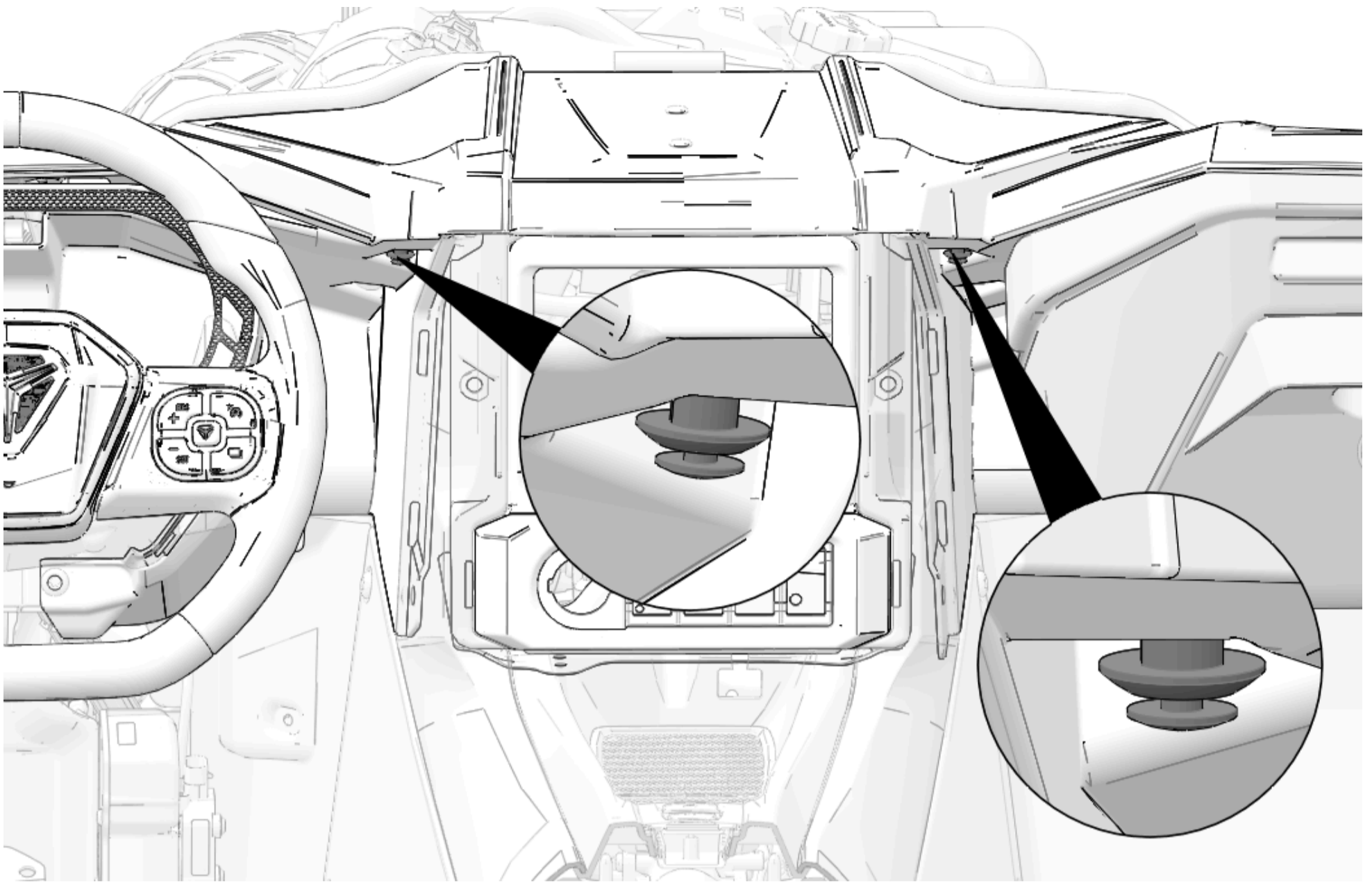
NOTICE

Access push-pin rivets from top of dash to remove.

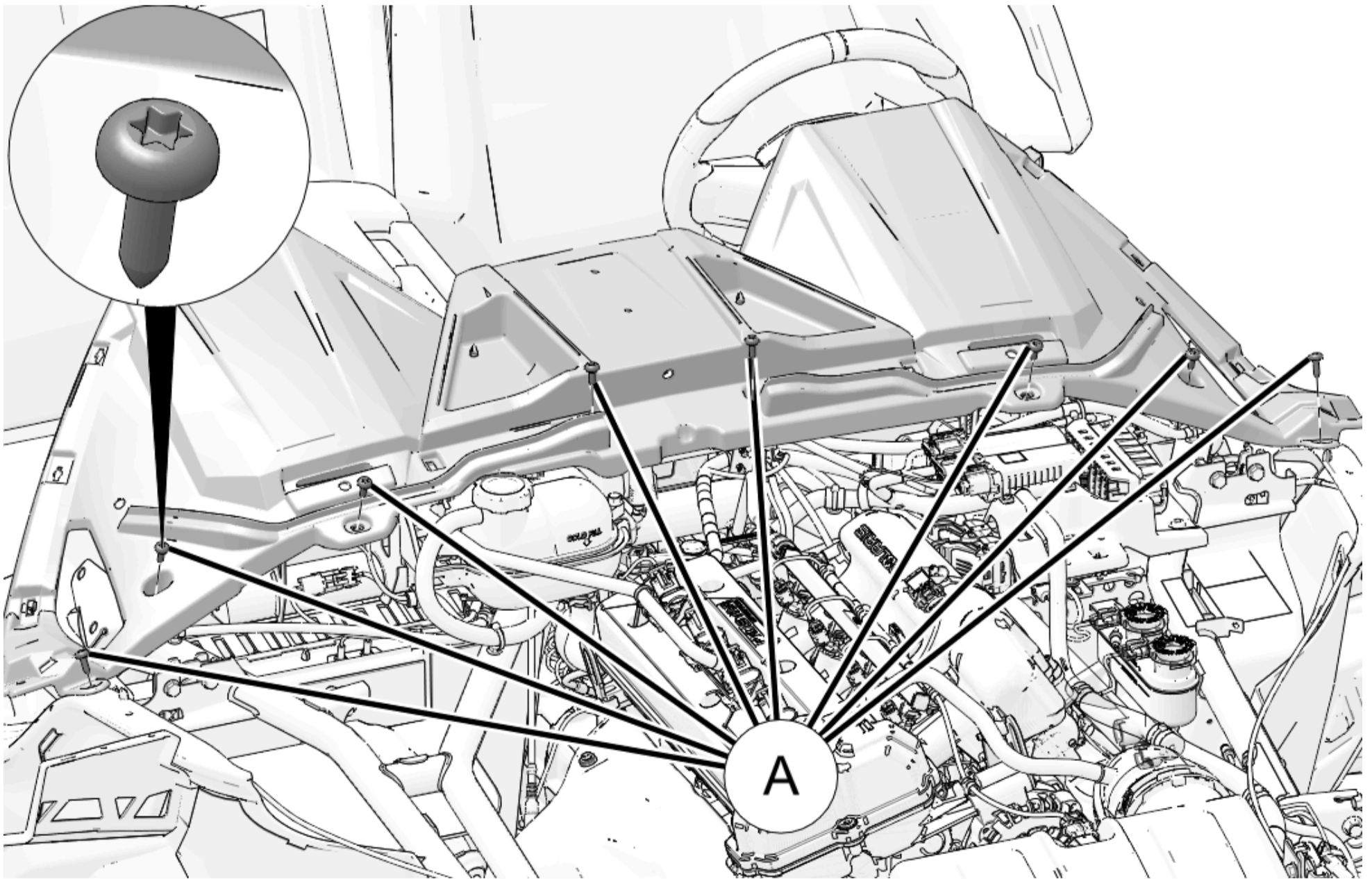


NOTICE

Access push-pin rivets from below dash and remove.

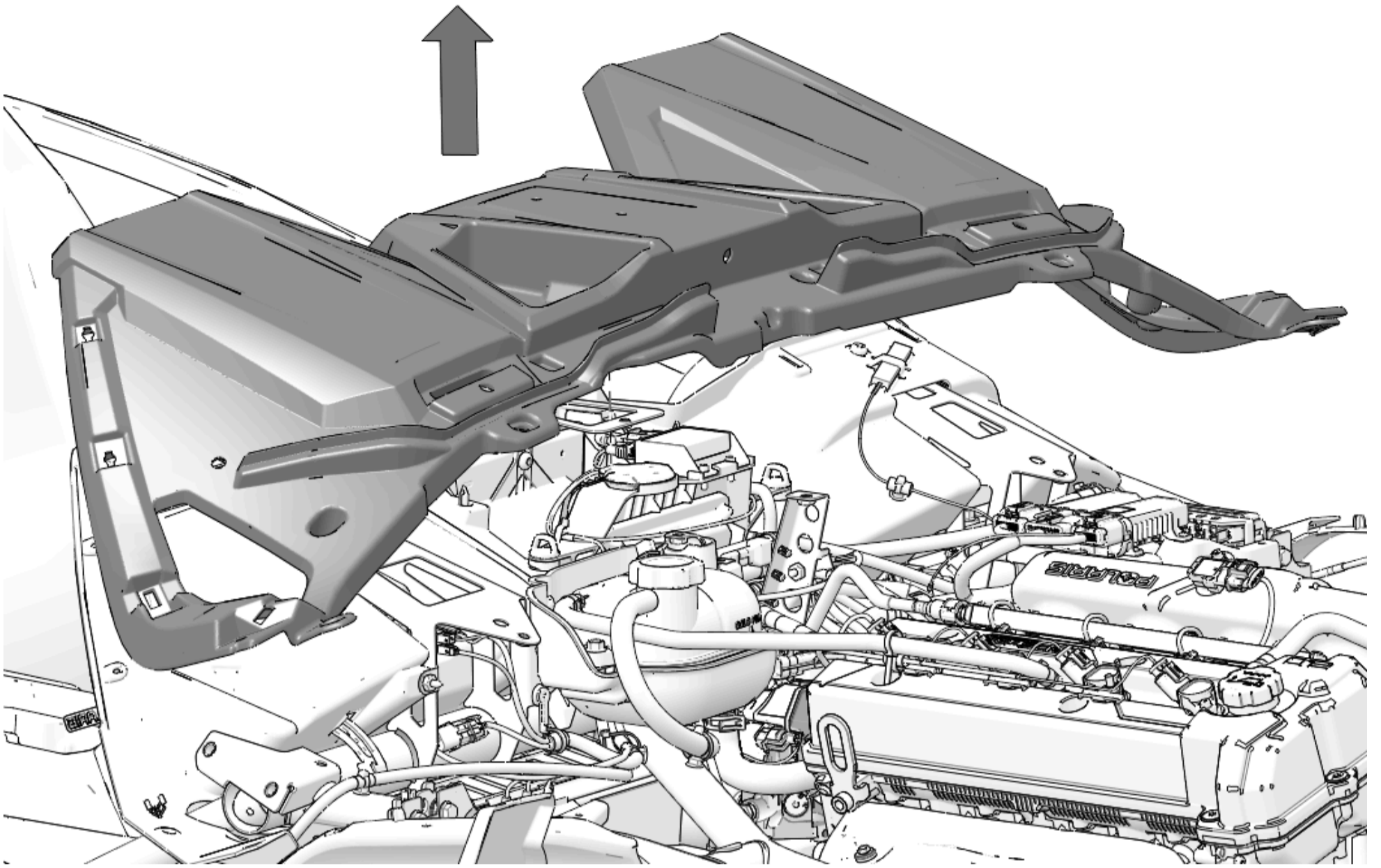


2. Remove and keep eight screws (A) from upper dash panel.



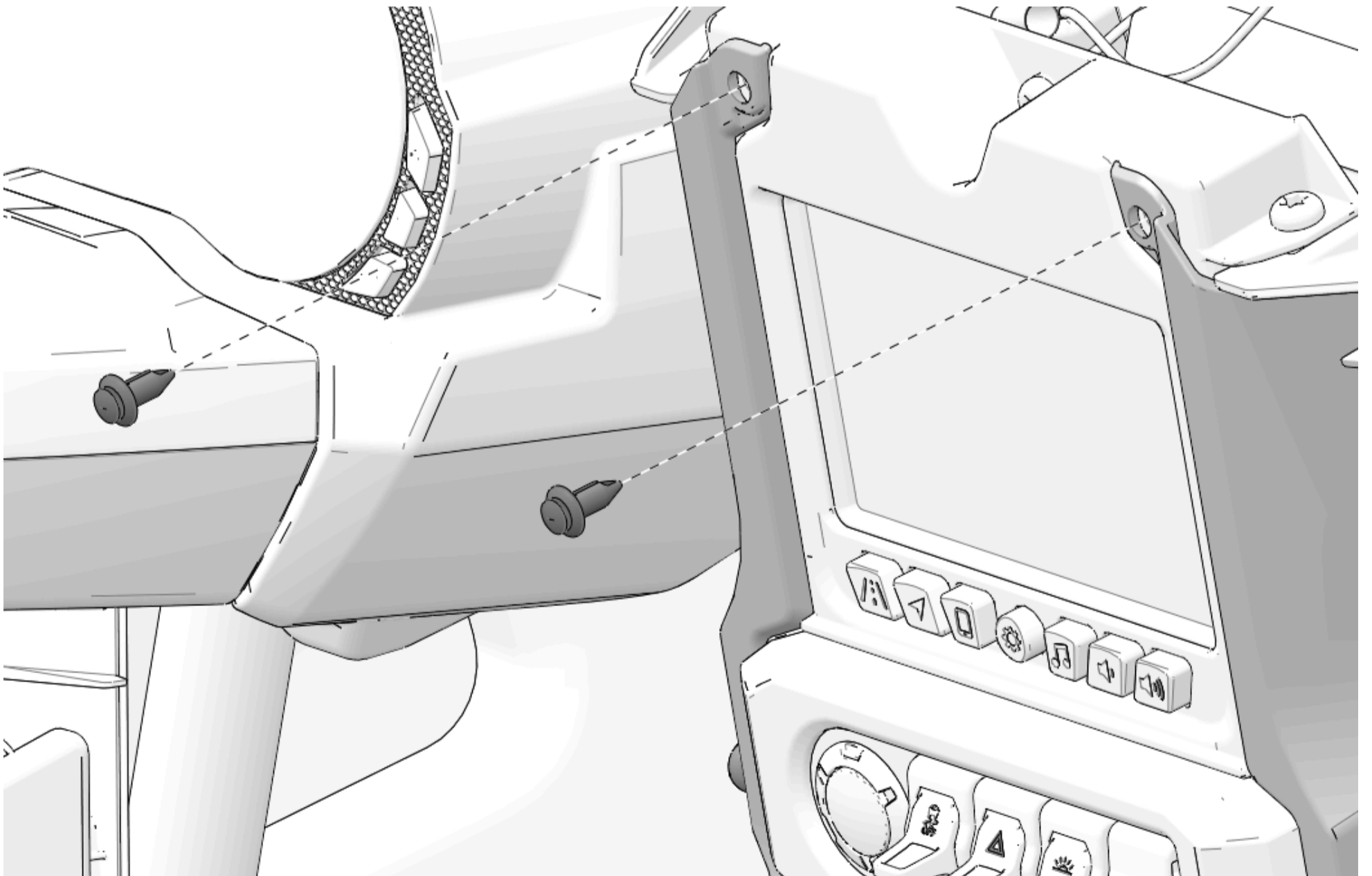
3. If equipped, disconnect dash tweeter speakers from main vehicle harness.

4. Lift front edge of upper dash panel to release clips. Lift off upper dash panel and carefully set aside.

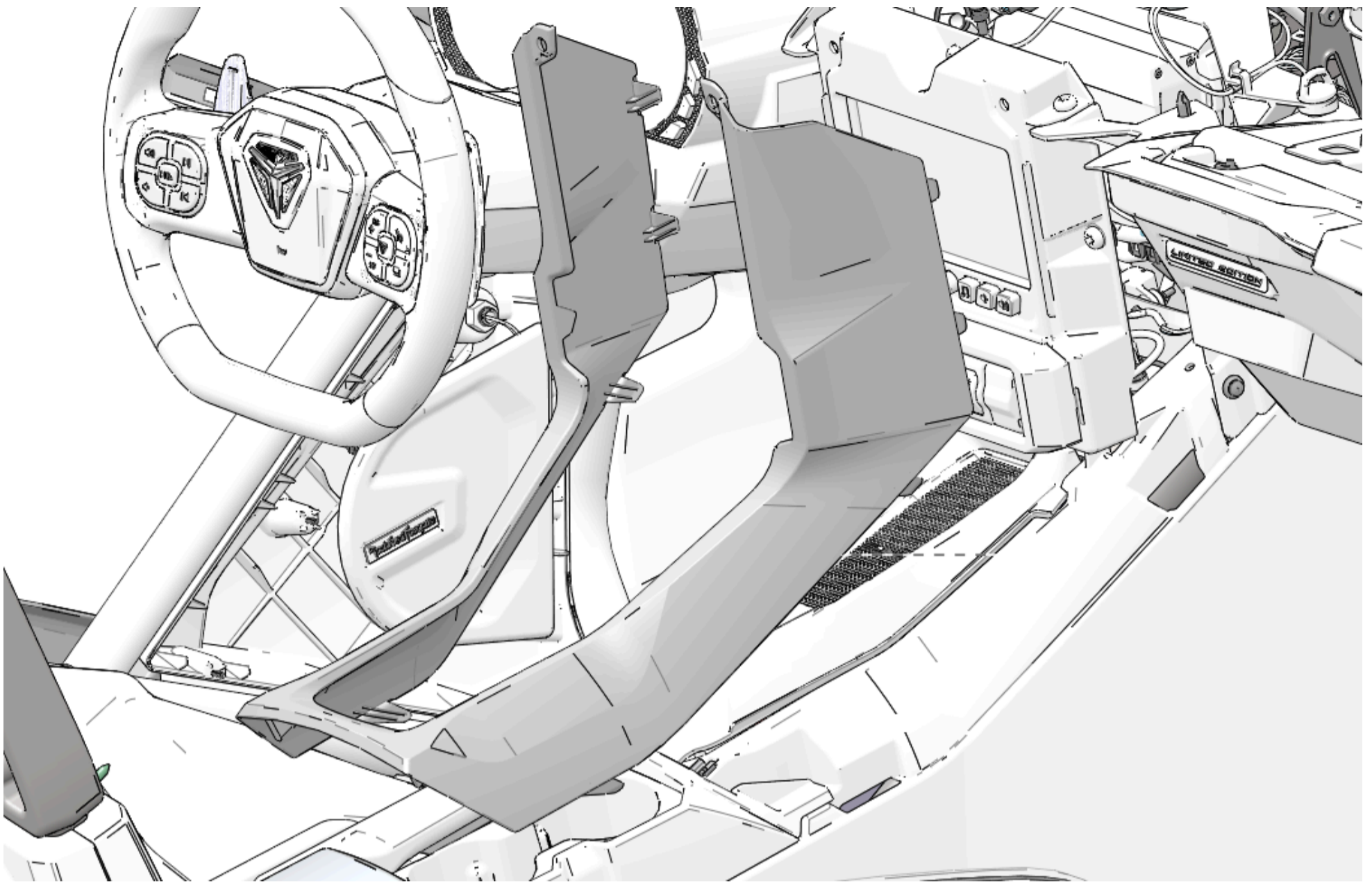


Center Console And Display Removal

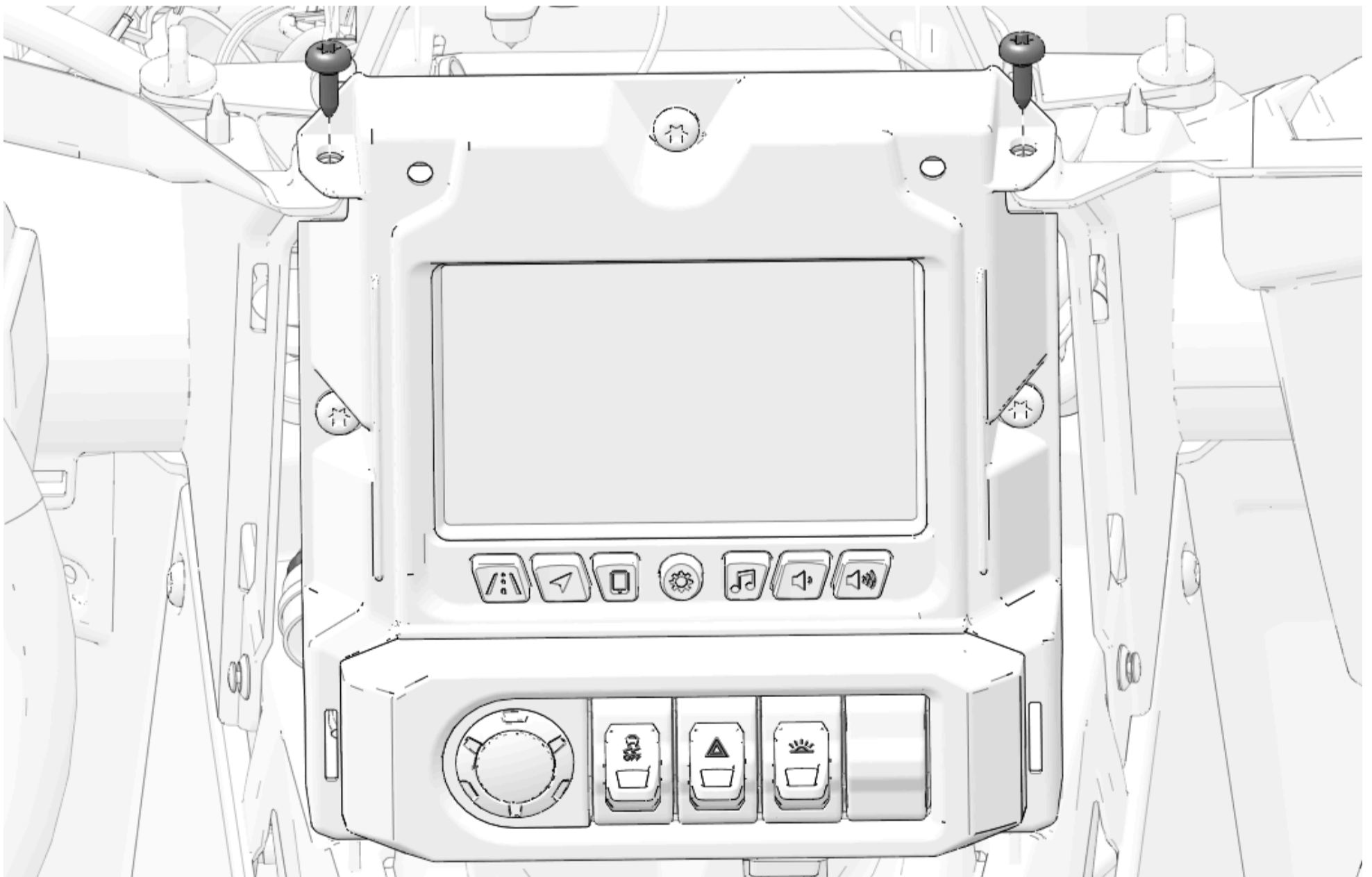
1. Remove and keep two push-pin rivets from center console trim.



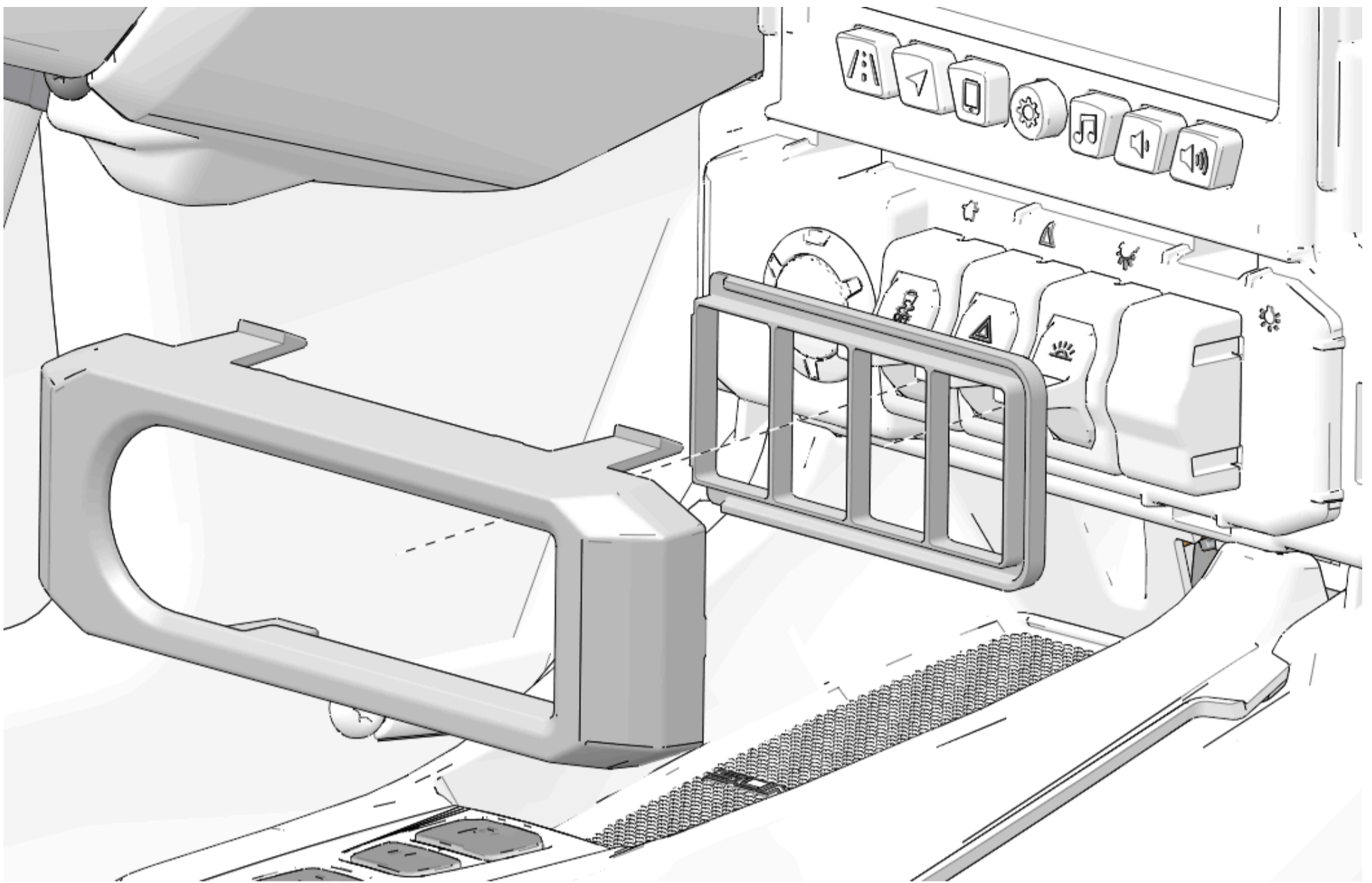
2. Remove center console trim.



3. Remove and keep two display center fasteners. Move display center away from mounting position and disconnect wiring. Remove display center.



4. Press tabs on back of switch panel to remove switch bezel. Remove switch retainer.



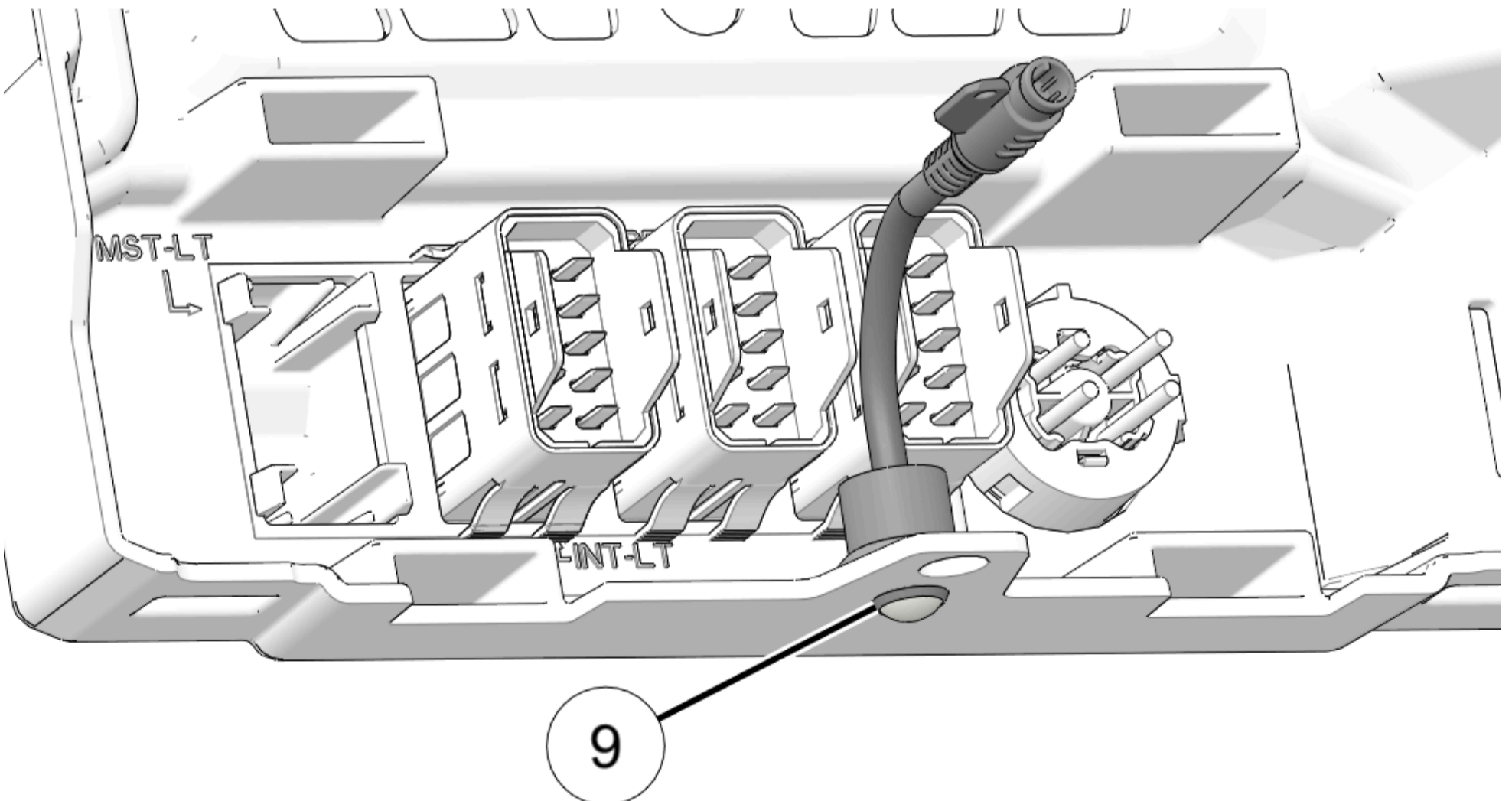
Accessory Installation

LED and Controller Installation

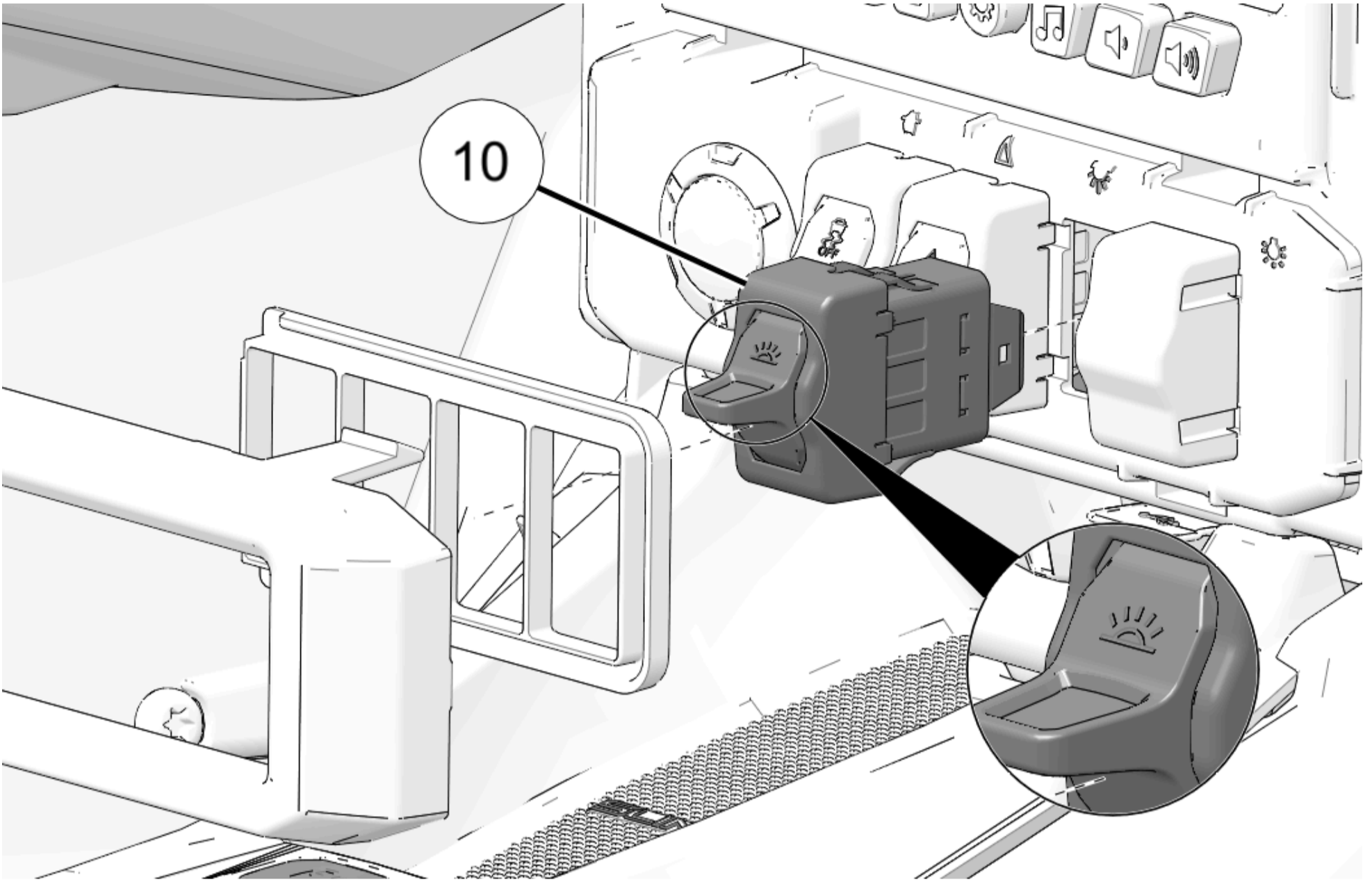
1. Put center console LED ⑨ in location behind switch panel as shown.

TIP

Remove LED from rubber grommet and install rubber grommet first, then install LED.

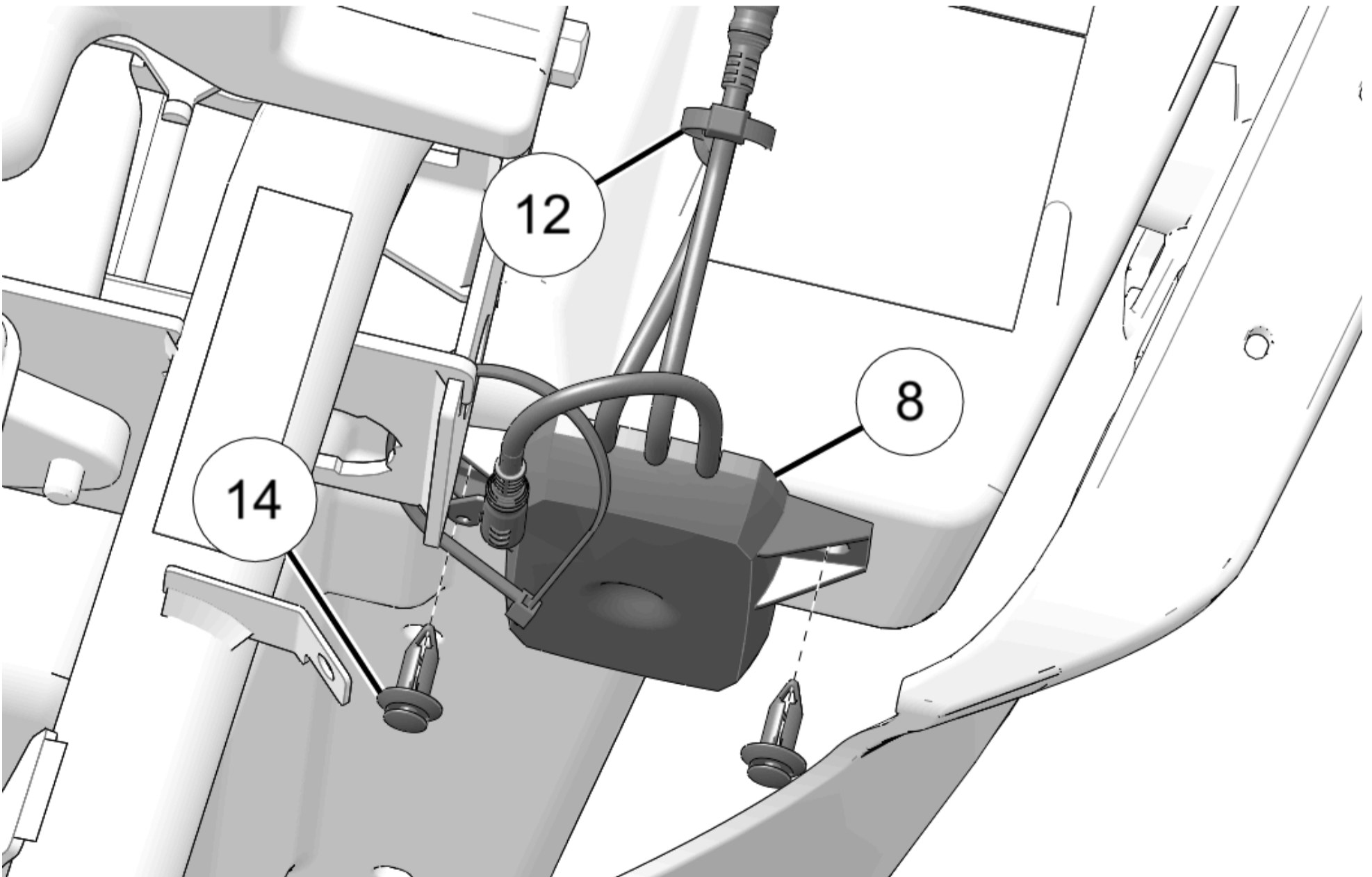


2. Remove existing switch, or switch close-off, in third position from left. Put switch ⑩ in third position from left. Make sure switch is installed with light icon on top.

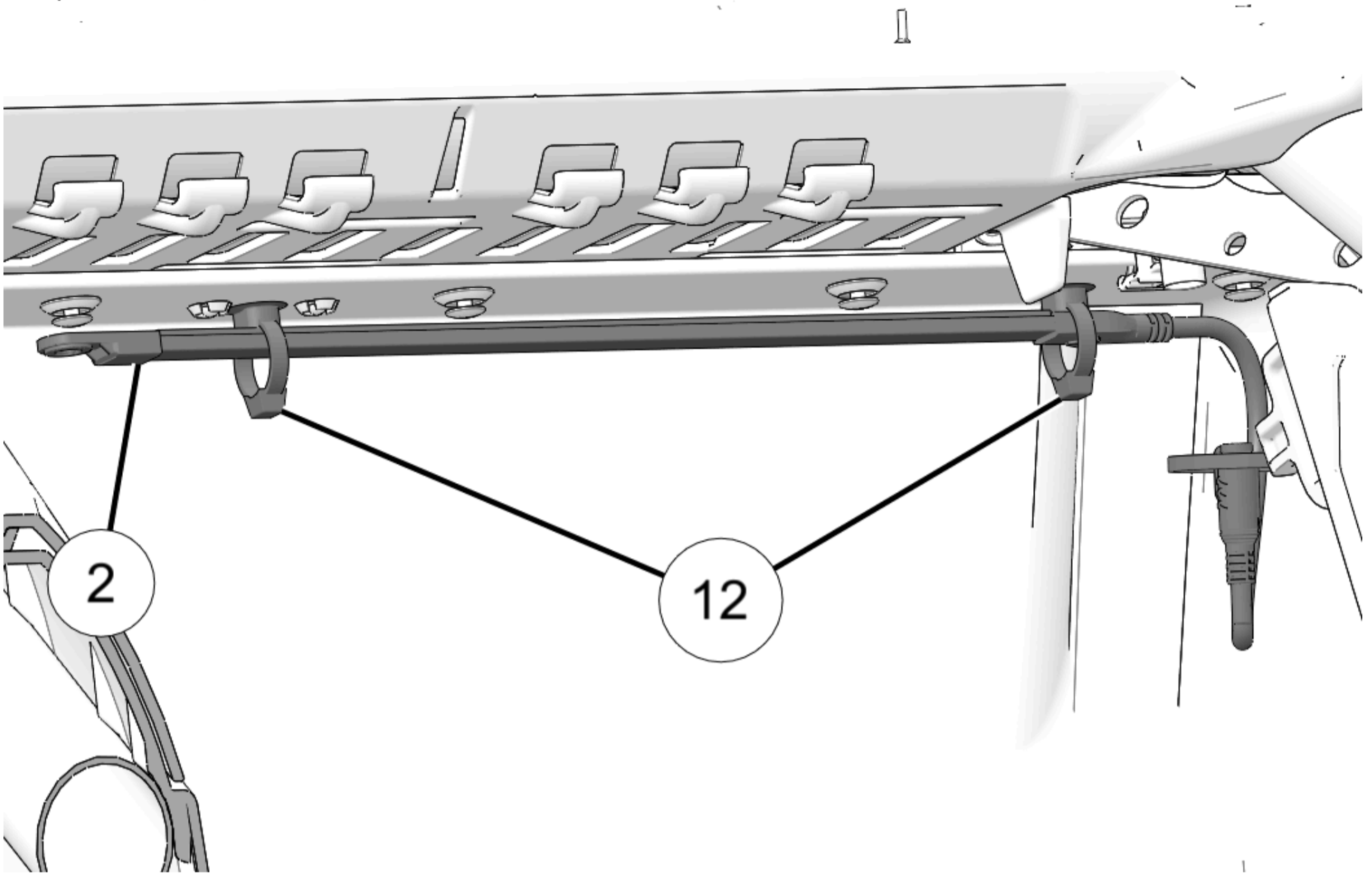


Model Year 2022 And Newer

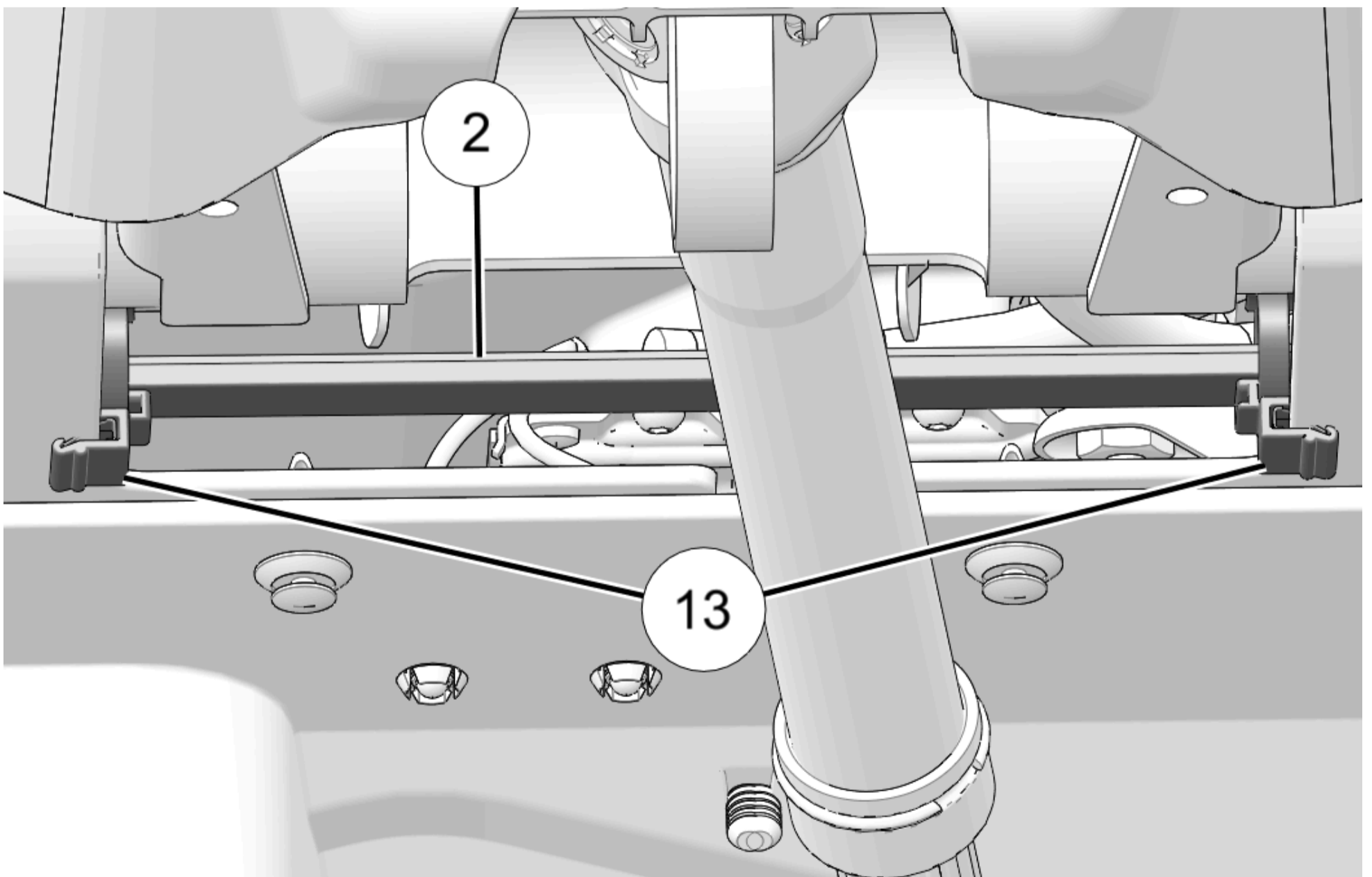
1. Put bluetooth controller ⑧ on outside of left footwell using push-pin rivets ⑭. Attach wiring using fir tree clip ⑫.



2. Remove adhesive backing paper from LED strip. Install two fir tree clips ⑫ into holes in passenger side footwell. Attach LED strip ② to fir tree clip ⑫.



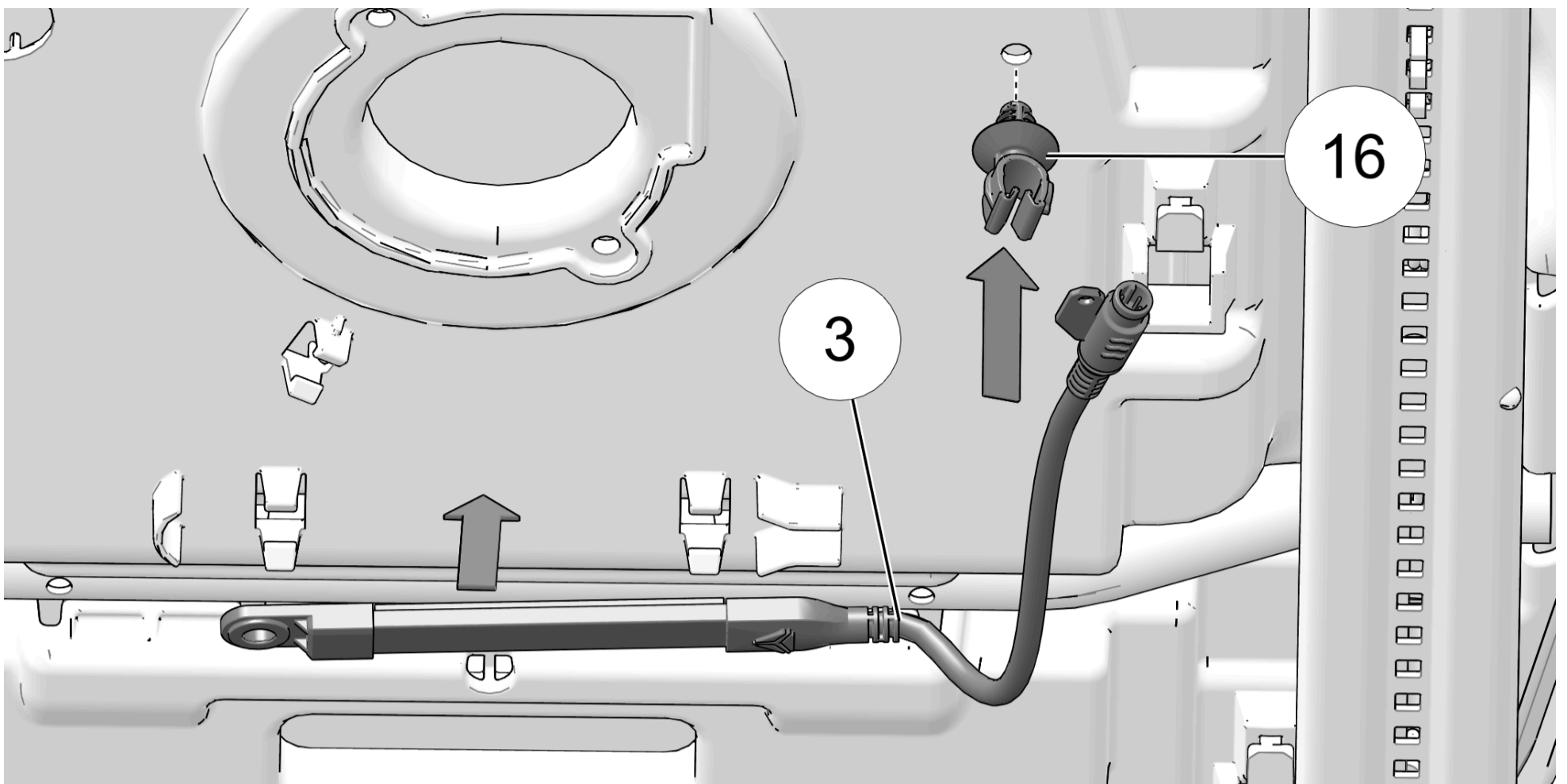
3. Put edge clips (13) in opening above steering column in driver side footwell. Attach LED strip (2) with lights facing down to edge clips (13).



4. Install routing clip (16) underneath left seat base. Remove adhesive backing paper from LED strip. Install LED strip (3) to routing clip (16).

NOTICE

Left side shown; right side similar.



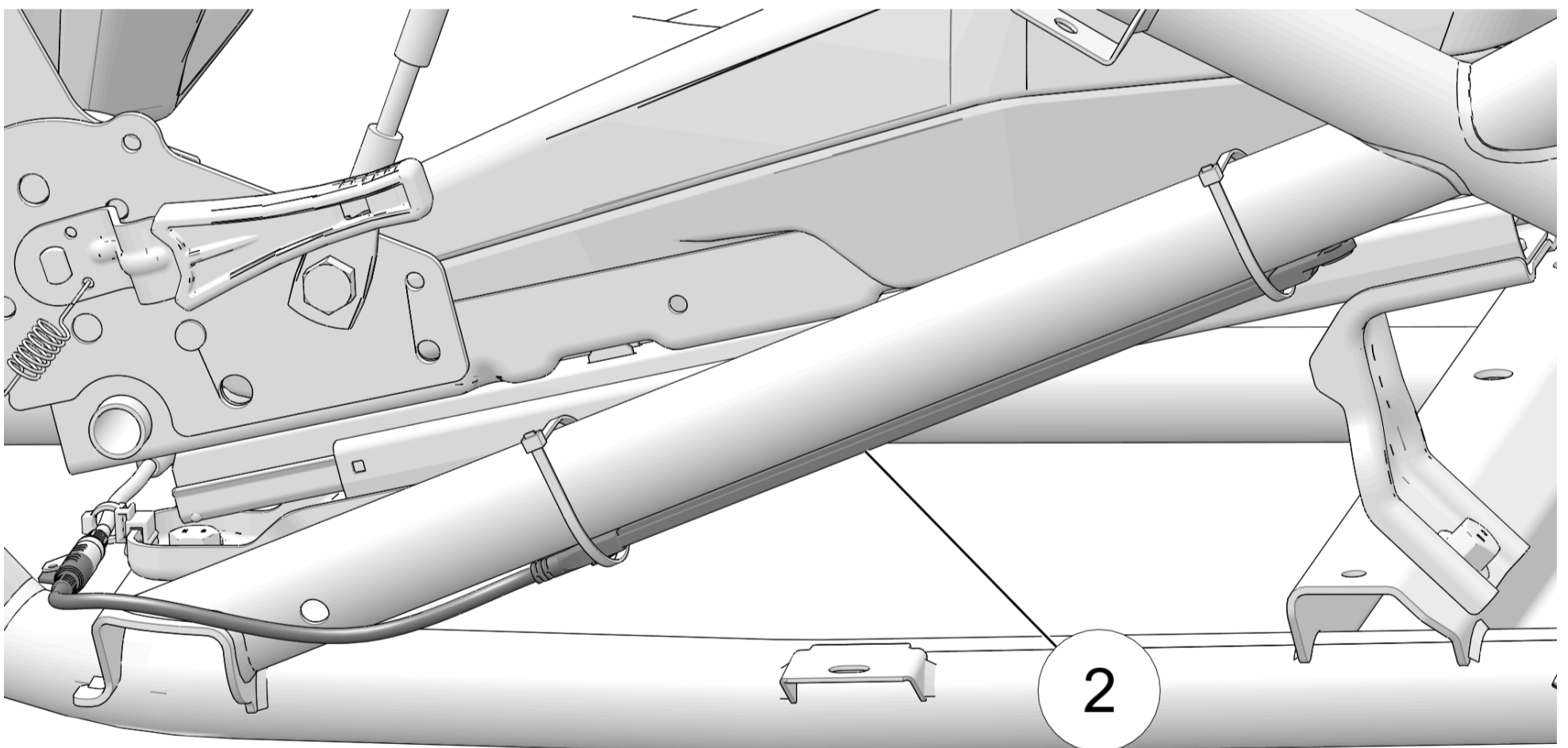
5. Remove adhesive backing paper from LED strip. Attach right rocker panel LED strip (2) with lights facing down to frame tube with cable ties (11).

NOTICE

Right side shown; left side similar.

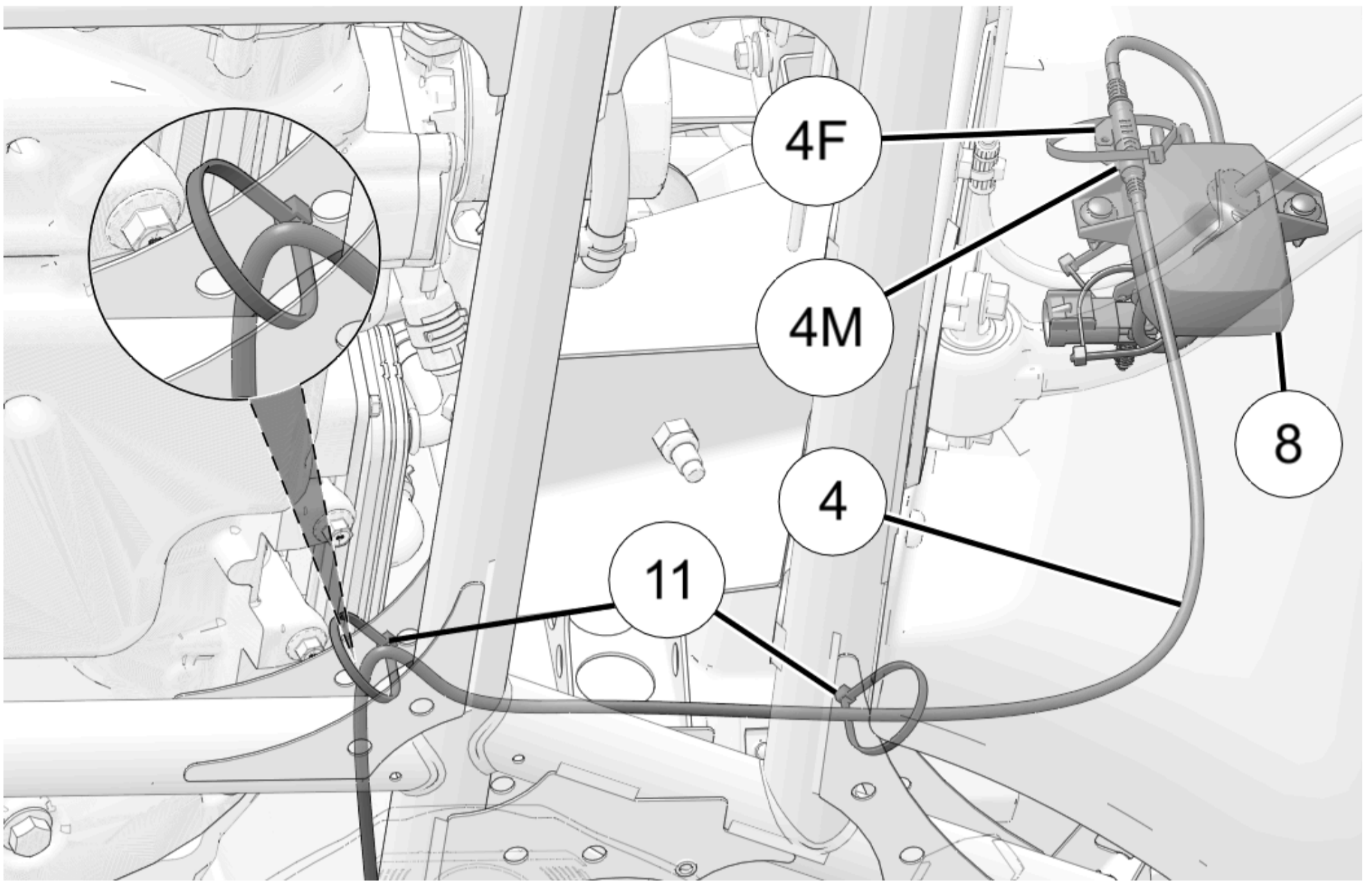
NOTICE

Outer body panel removed for visibility.



Install Rear Interglow Harness

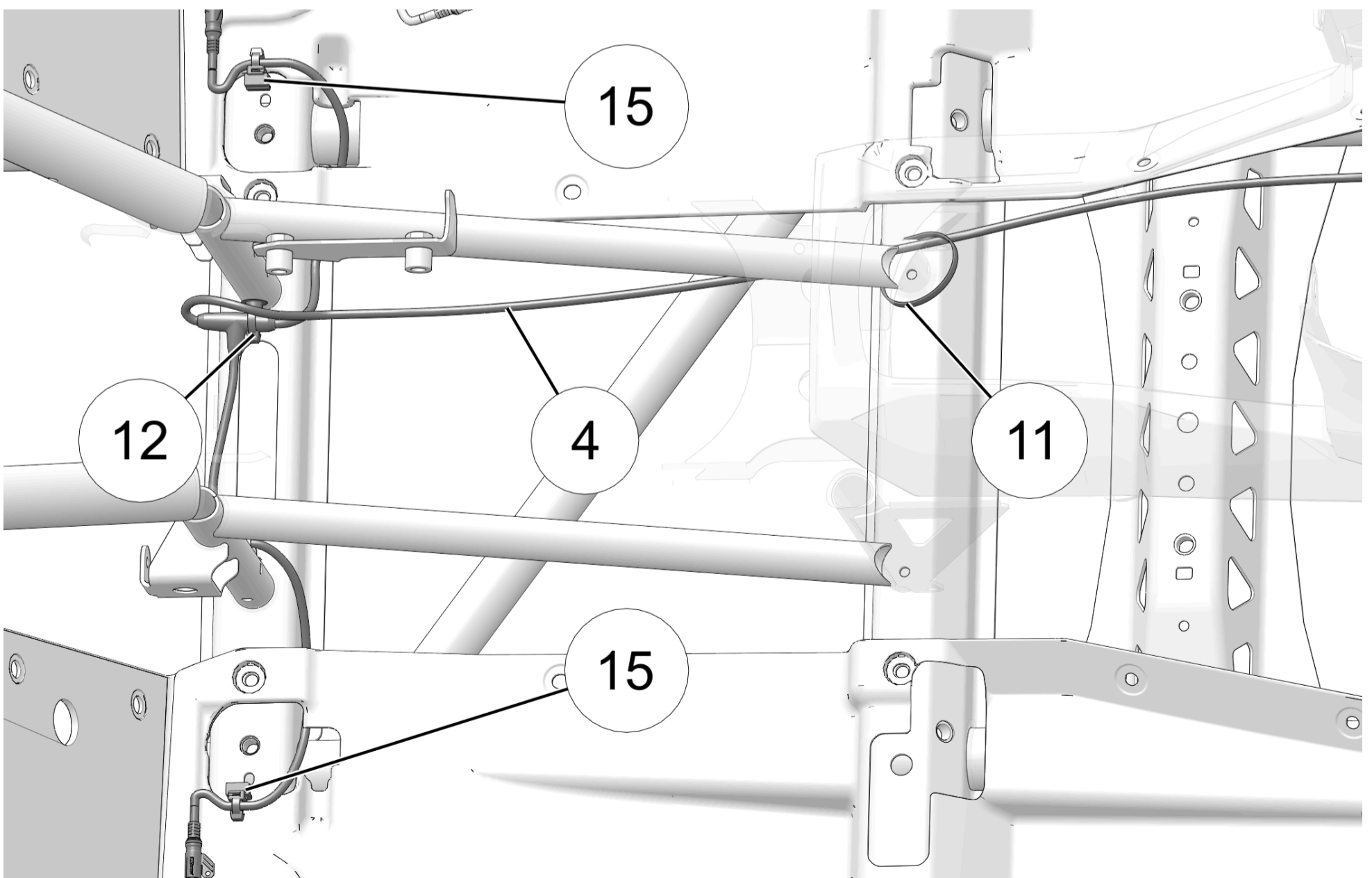
1. Connect rear interglow harness (4) 4M connector into bluetooth controller (8) connector 4F. Put wiring harness down and to left-hand frame rail. Attach with cable ties (11).



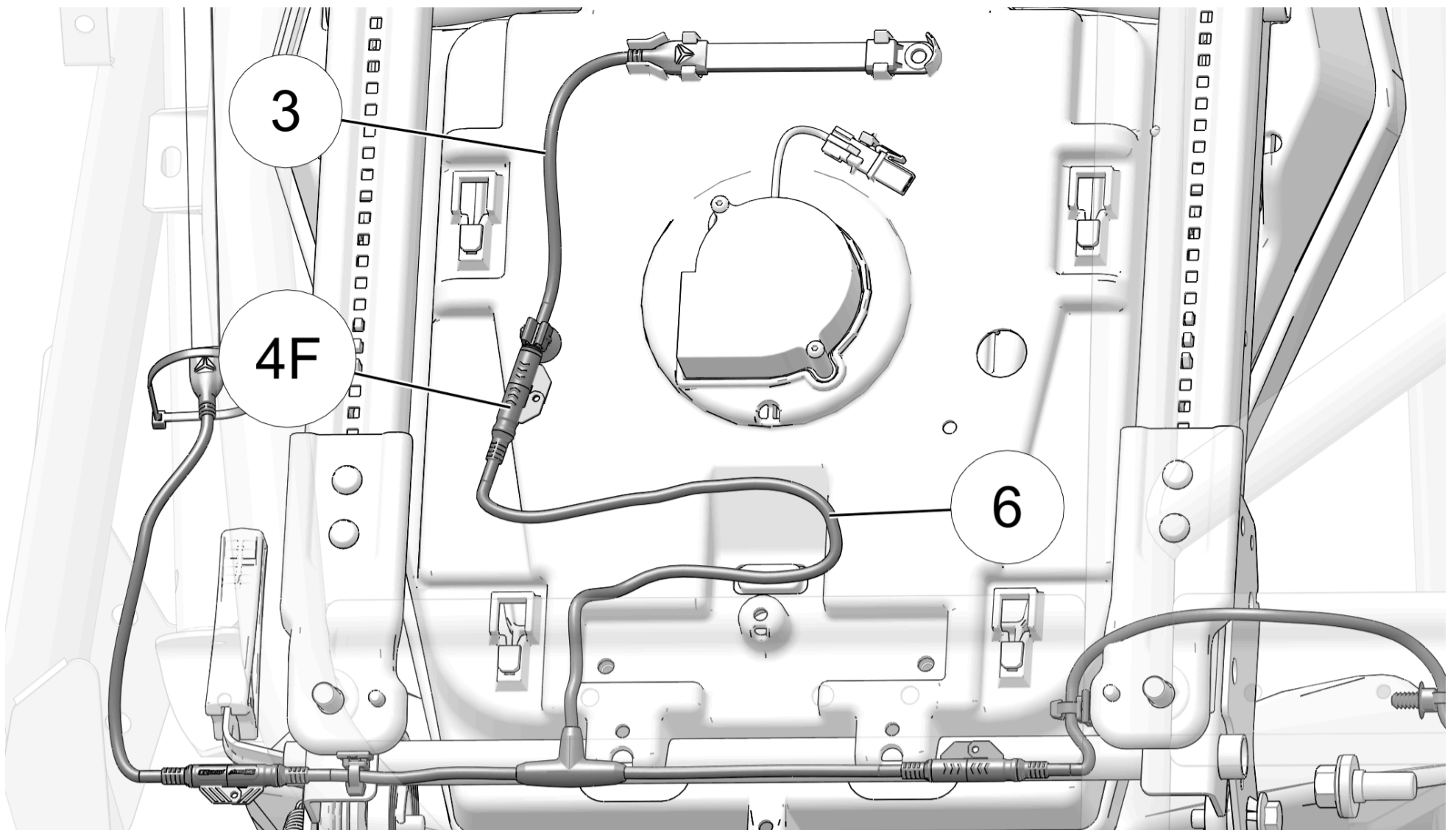
2. Install wire harness (4) along frame rail as shown. Make sure wiring harness is routed above frame components. Attach with cable ties (11), edge clips (15) and fir tree clip (12).

IMPORTANT

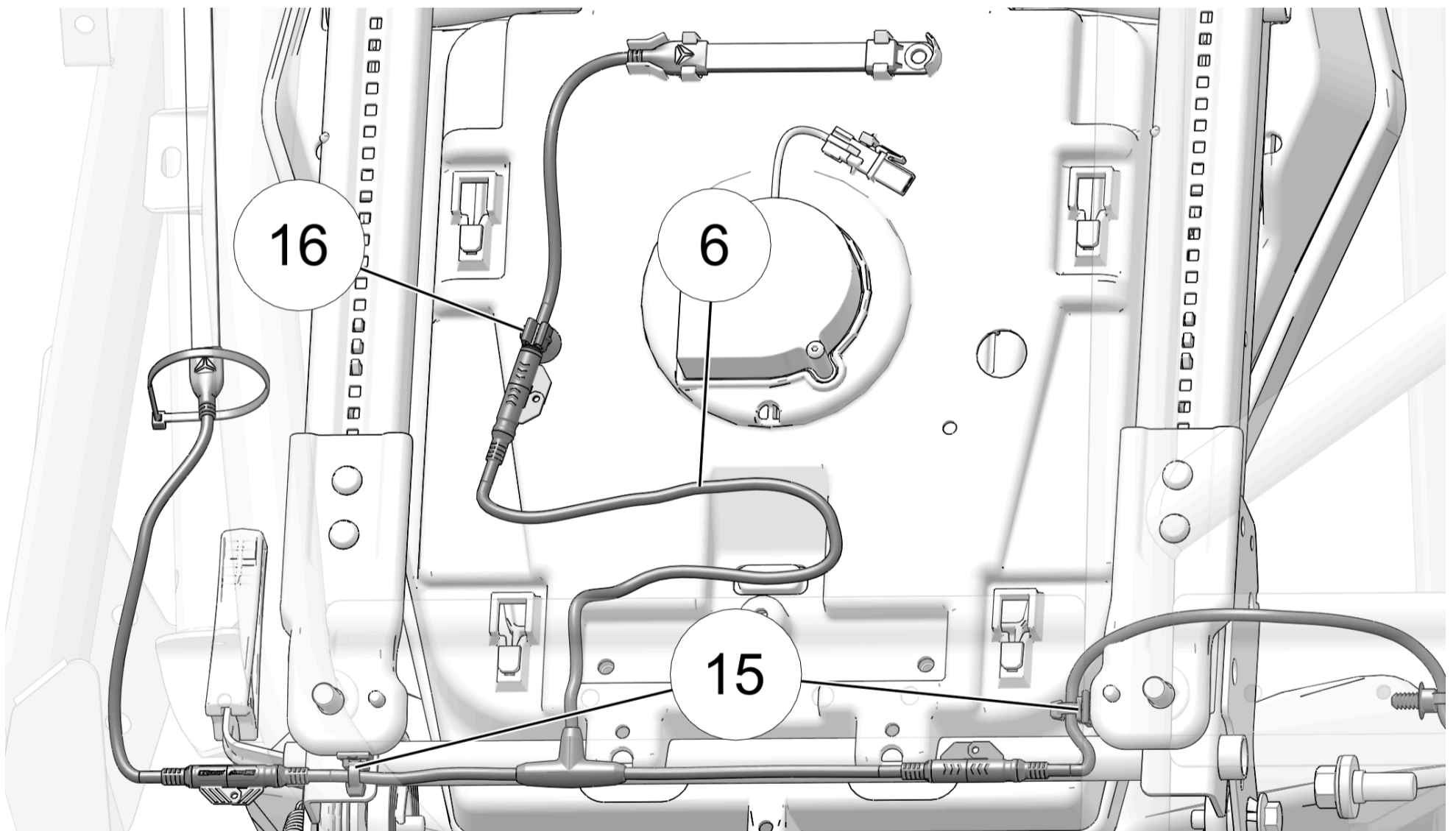
Harness must be routed entirely before installing cable ties. Work from the back of the vehicle, forward. Any slack will be located in footwell.



3. Connect left rear interglow harness extension (6) connector 4F to left seat LED (3).



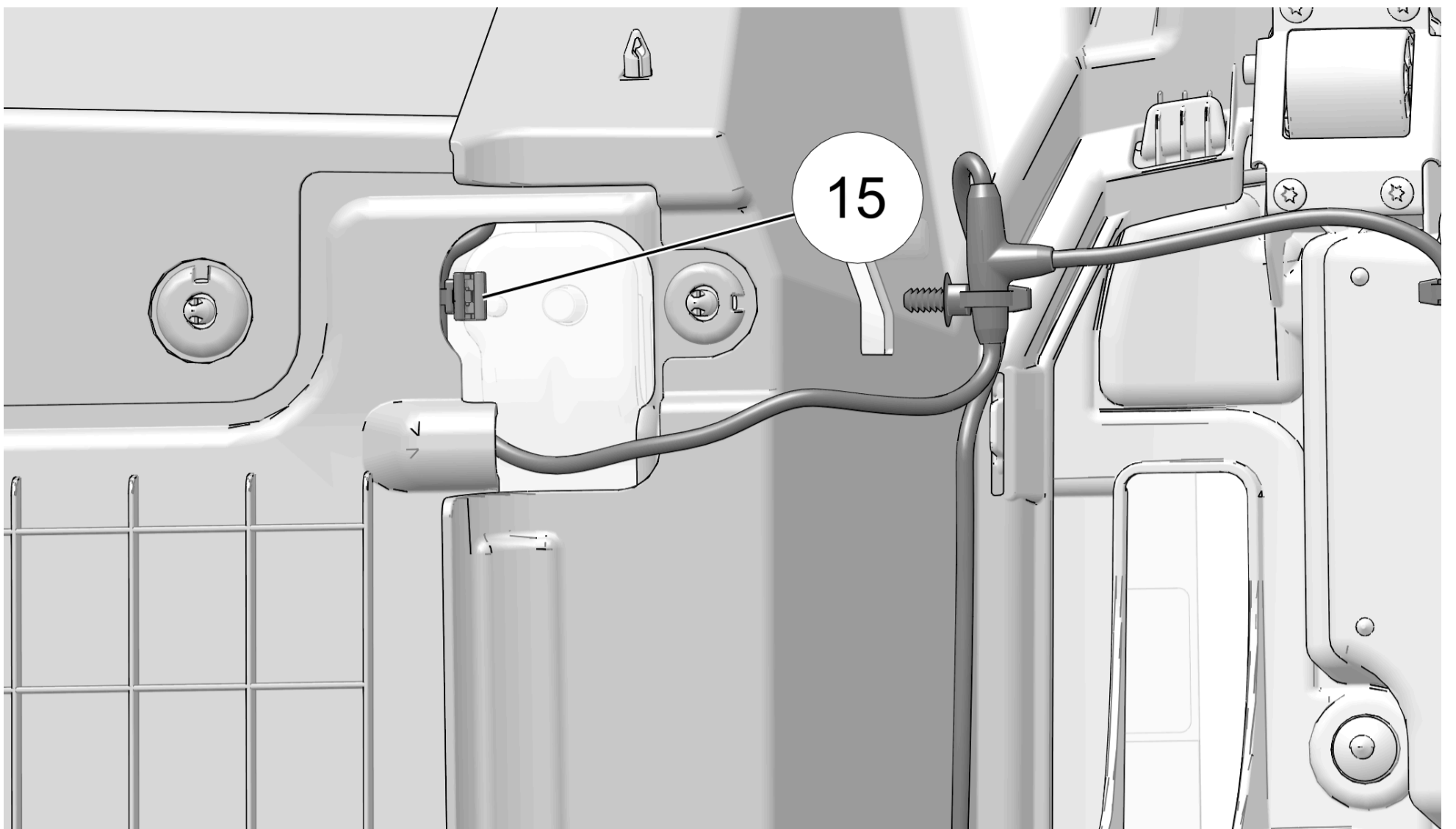
4. Attach left rear interglow harness extension (6) to seat using edge clips (15) and routing clips (16).



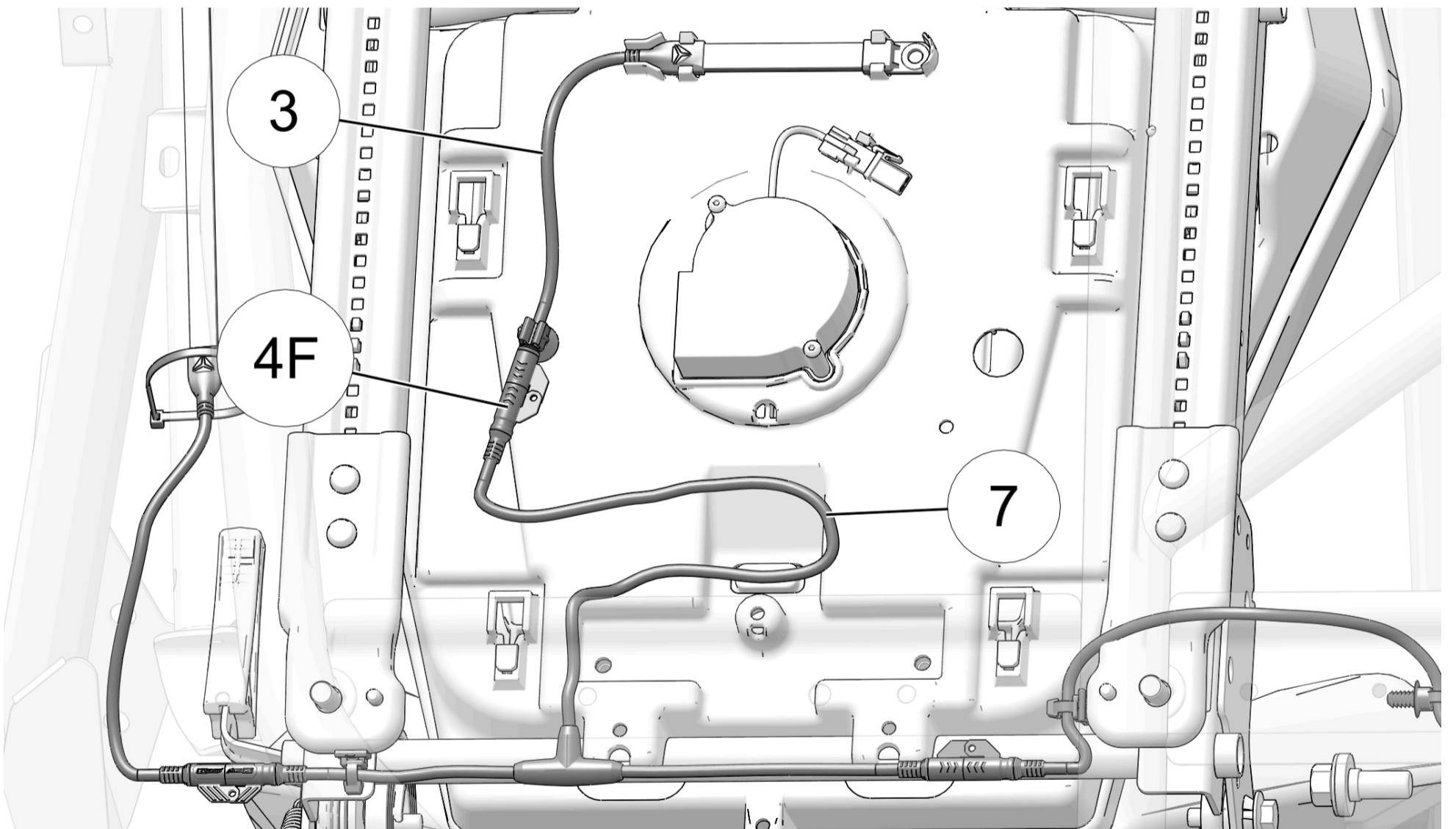
5. Install small lead from T connector of rear interglow harness (4) into cabin through opening in bottom of vehicle. Attach harness to seat base with edge clip (15).

NOTICE

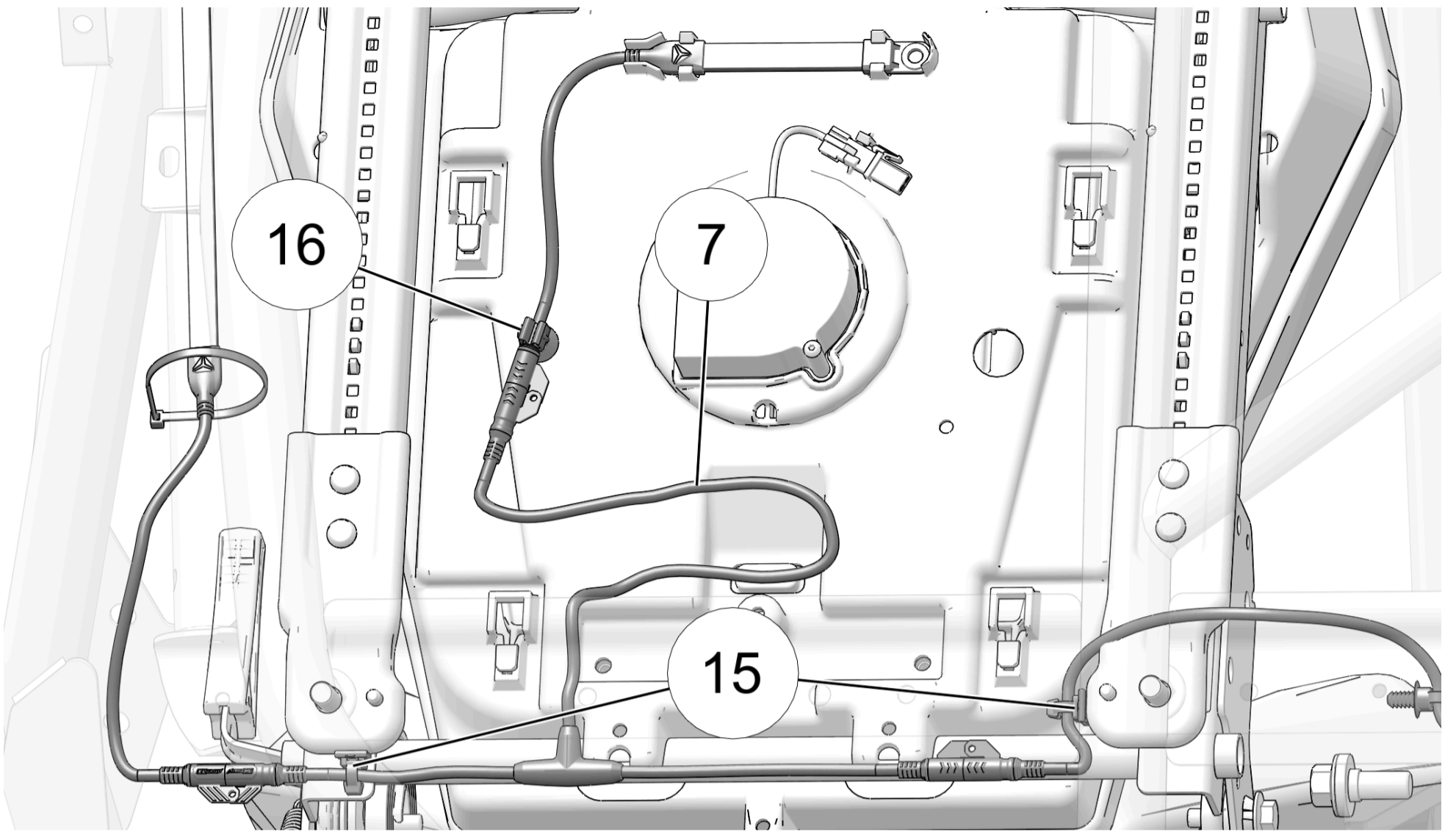
Make sure T is past the clip to prevent T from moving forward, relative to vehicle.



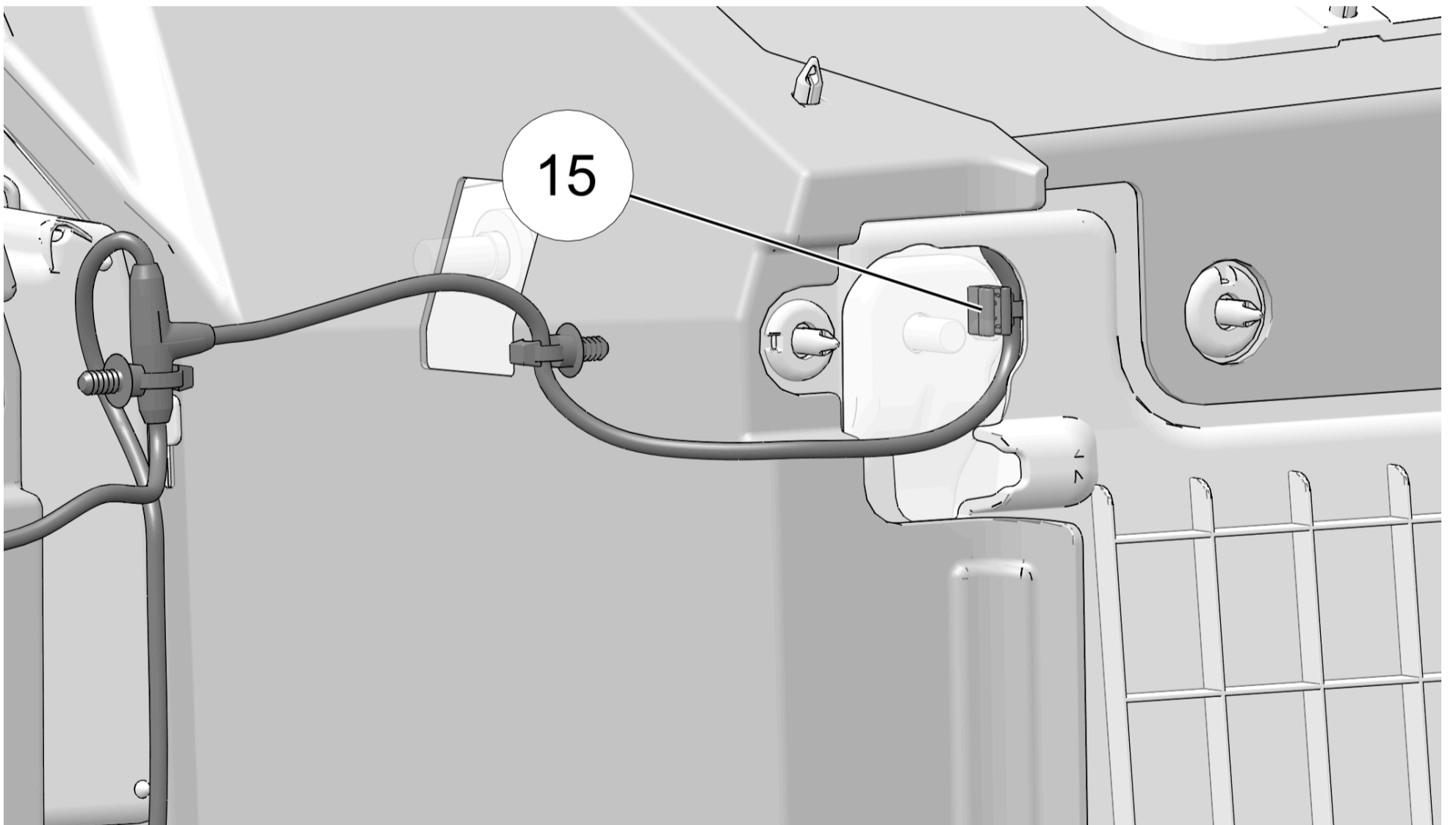
6. Connect right rear interglow harness extension (7) connector 4F to right seat LED (3).



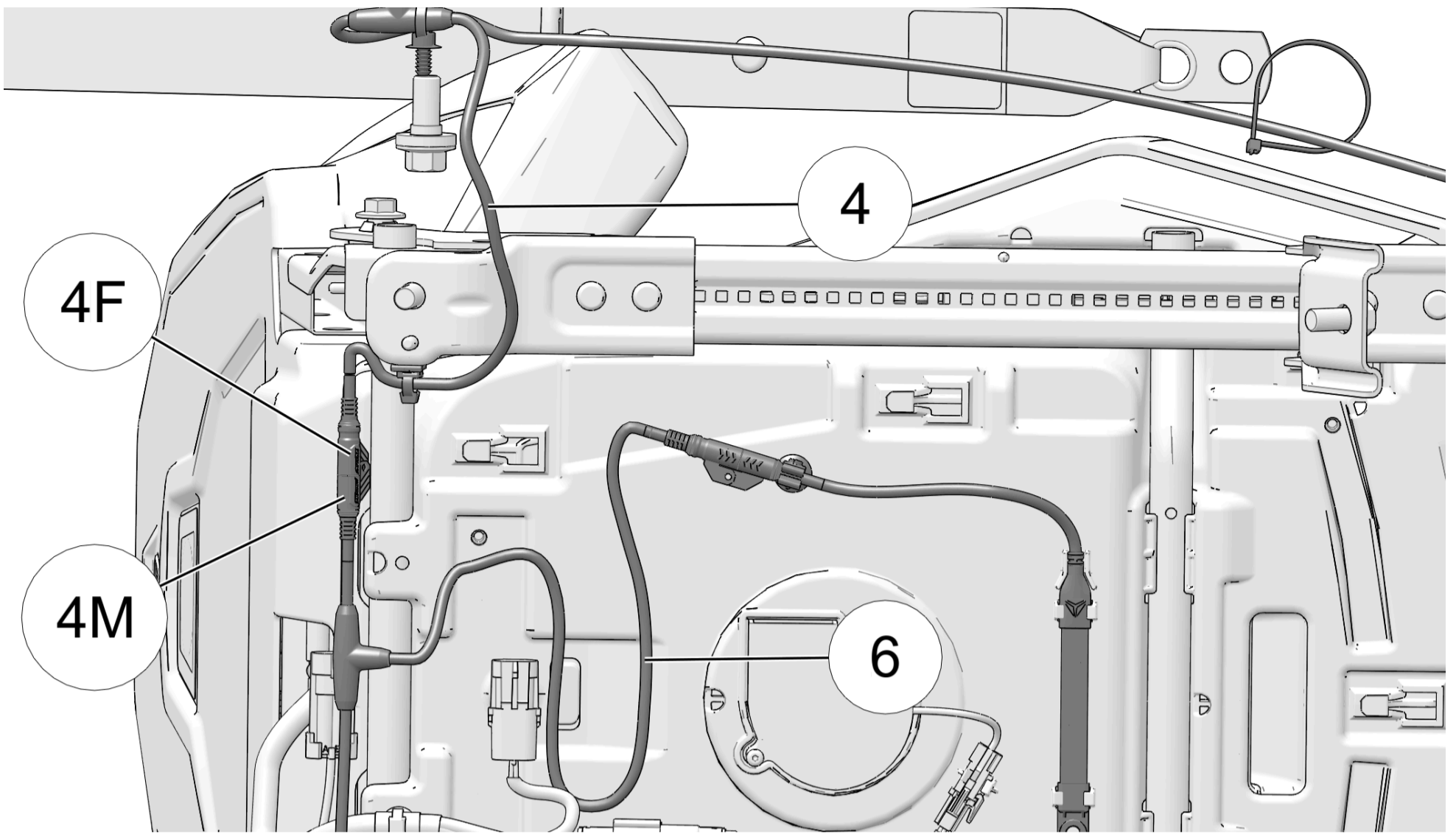
7. Connect right rear interglow harness extension (7) to bottom of seat using edge clips (15) and routing clips (16).



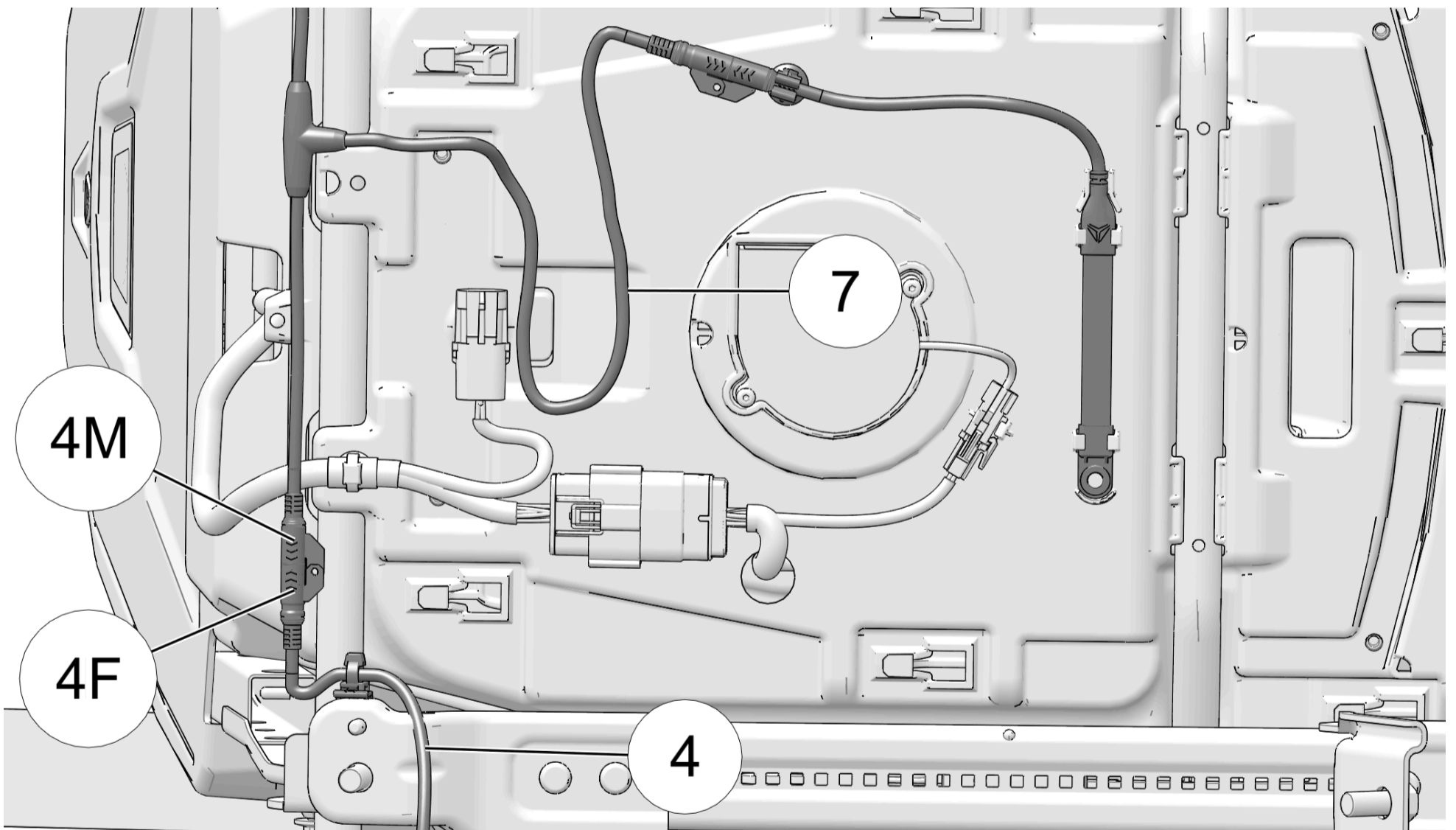
8. Install long lead from T connector of right rear interglow harness ④ into cabin through opening in bottom of vehicle. Attach harness to seat base with edge clip ⑮.



9. Connect left rear interglow harness extension ⑥ connector 4M to rear interglow light harness ④ connector 4F.

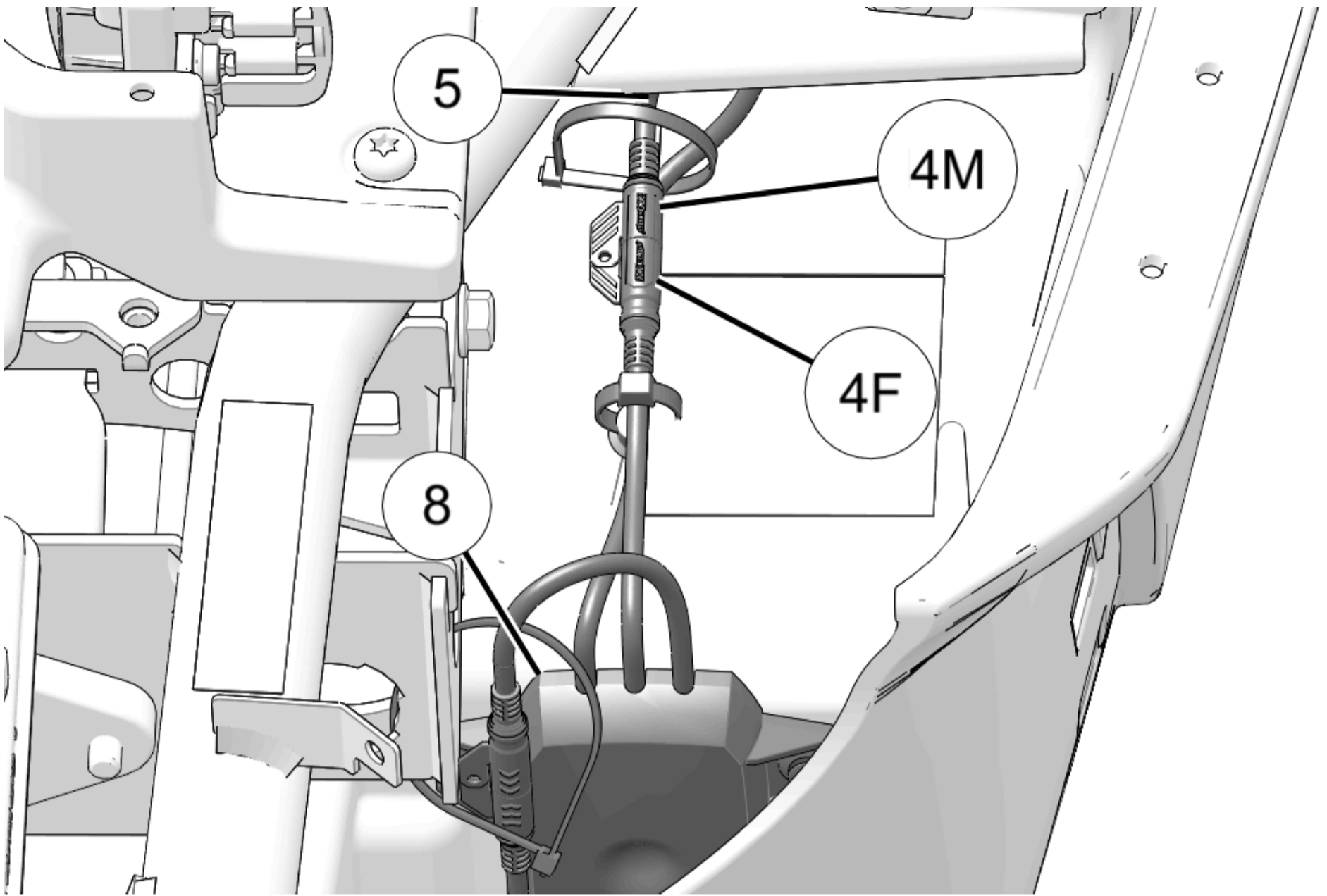


10. Connect right rear interglow harness extension (7) connector **4M** to rear interglow harness (4) connector **4F**.

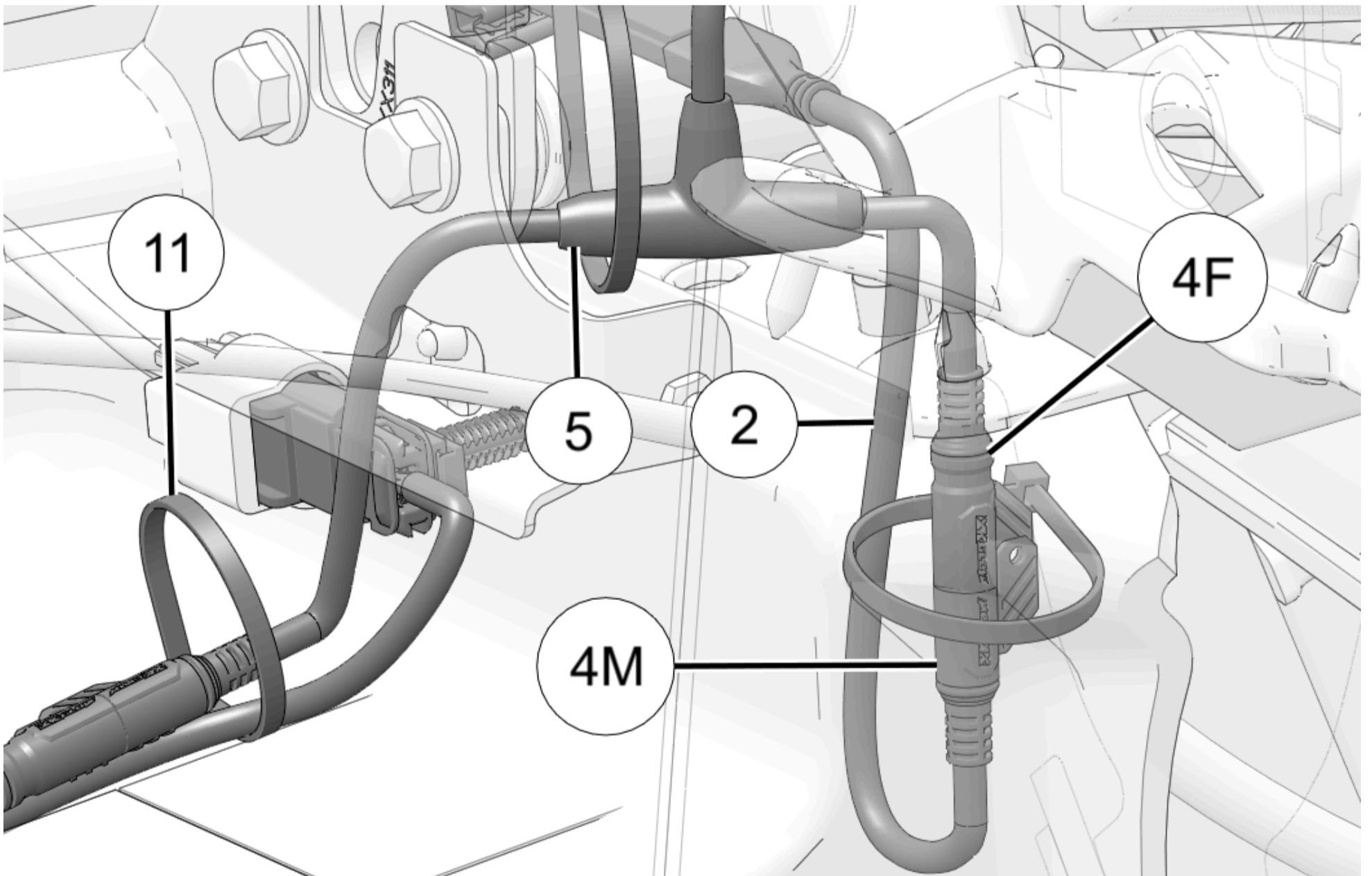


Install Footwell Interior Light Harness

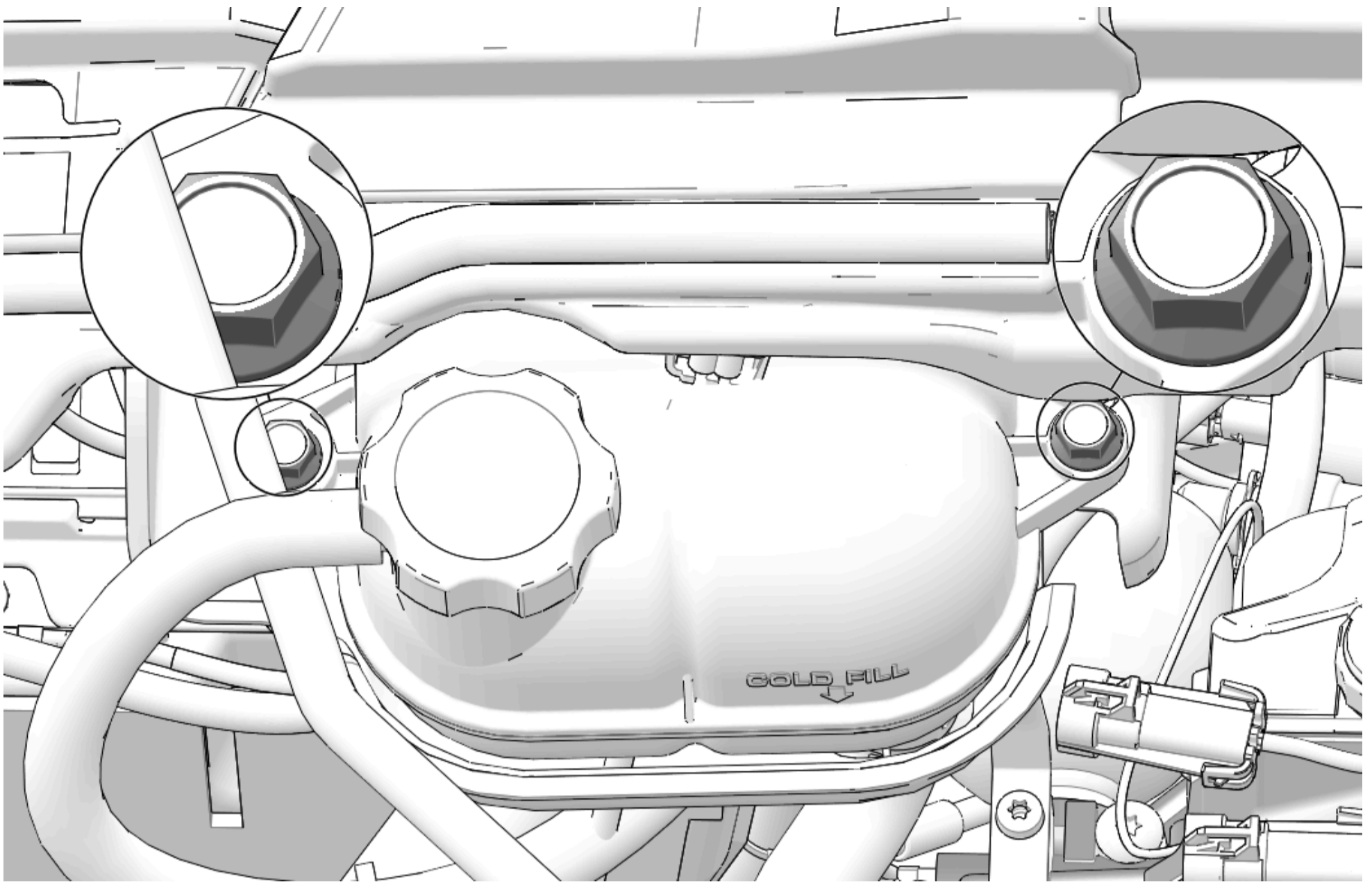
1. Connect footwell interior light harness (5) **4M** (connector closest to the part number tag) to bluetooth controller (8) **4F**.



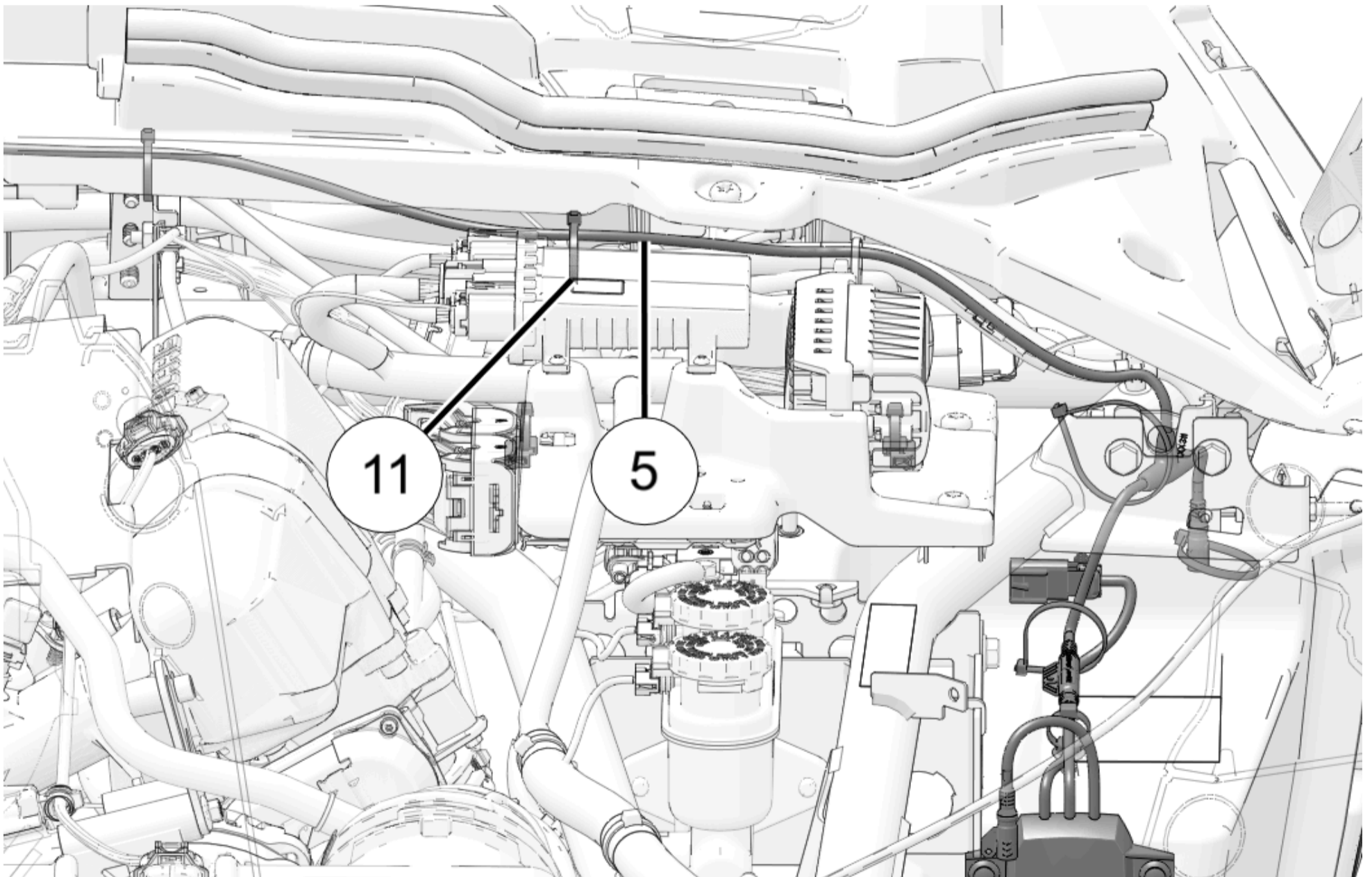
2. Put footwell interior light harness plug through firewal along existing wires. Connect harness ⑤ 4F to footwell LED ② 4M. Attach with cable tie ⑪.



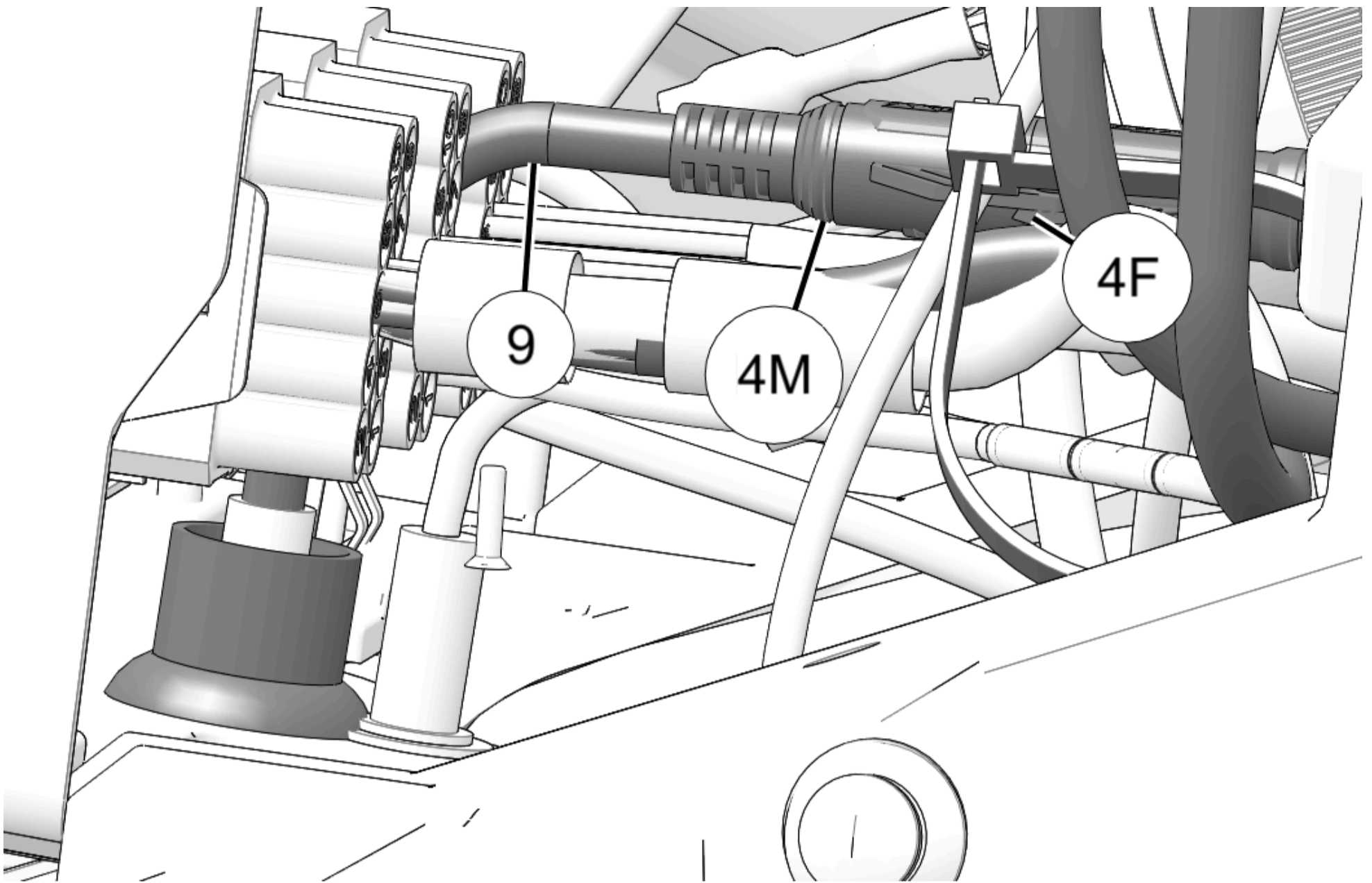
3. Remove two coolant reservoir bolts and turn reservoir out of the way.



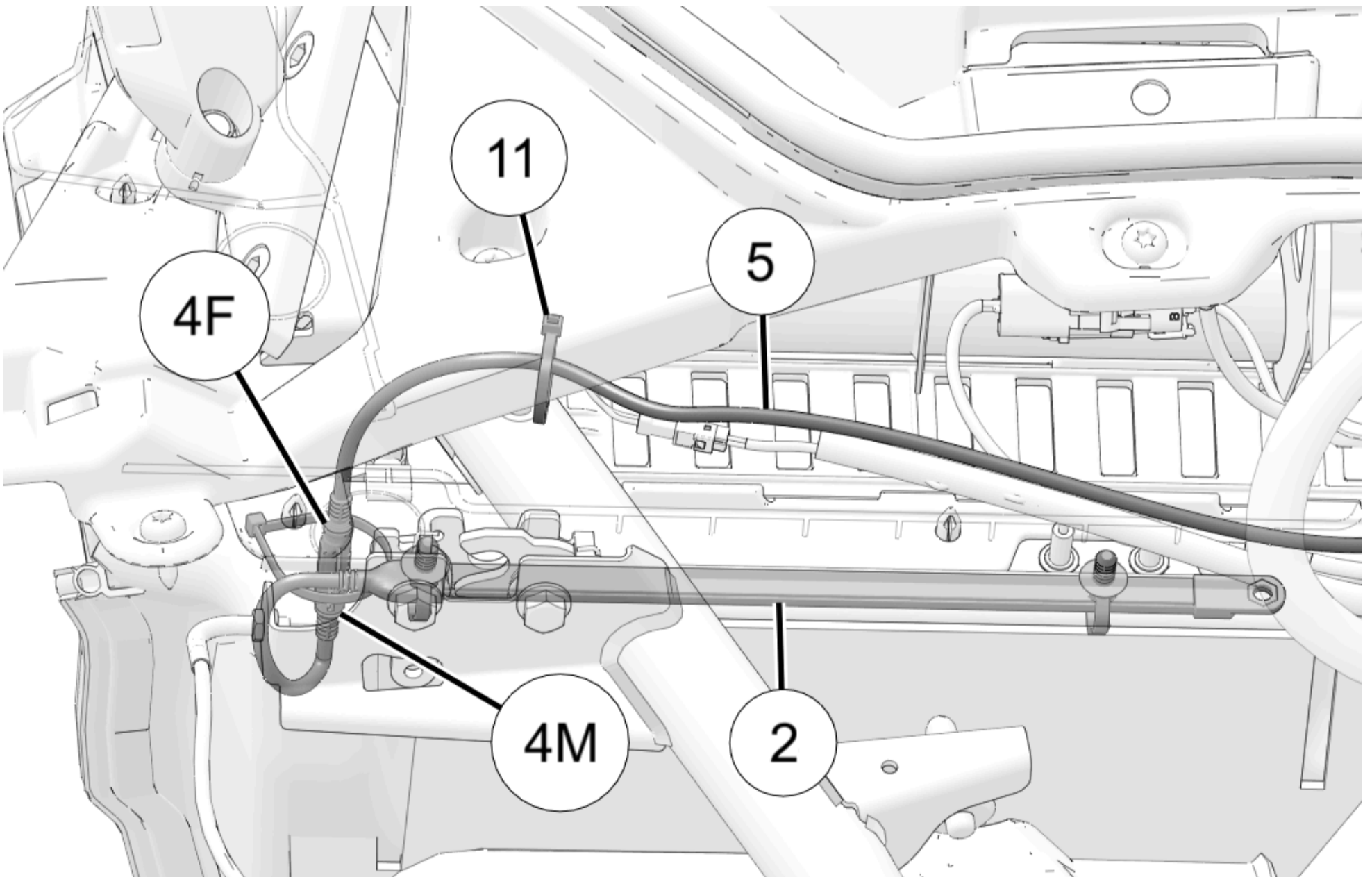
4. Put footwell interior light harness (5) along existing wiring. Attach with cable ties (11).



5. Put console LED wiring through firewall along existing wiring. Connect footwell interior light harness (5) 4F to console LED (9) 4M.

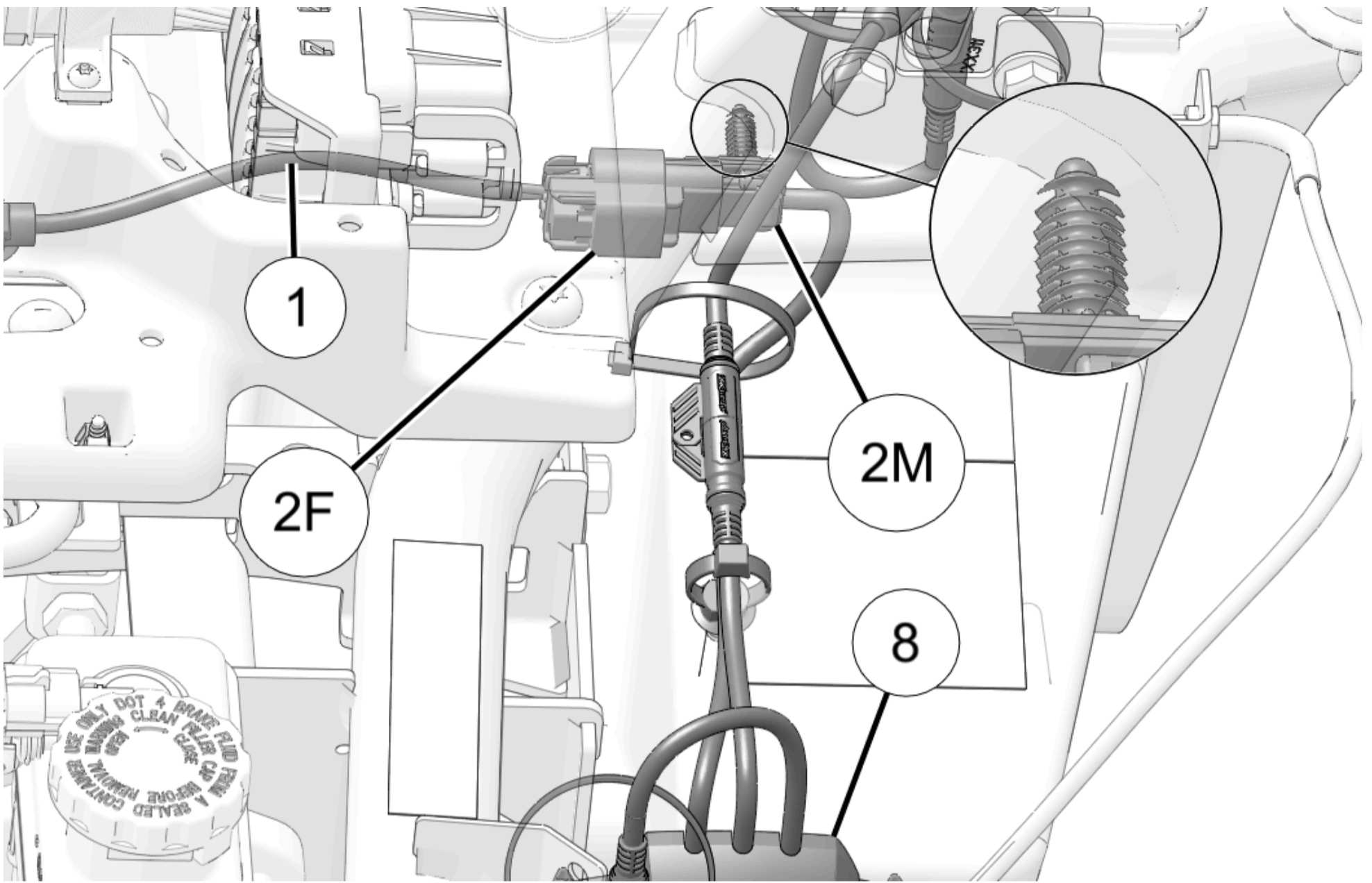


6. Put footwell interior light harness (5) through firewall following existing wiring. Connect footwell interior light harness (5) plug 4F to footwell LED (2) plug 4M. Attach with cable ties (11).

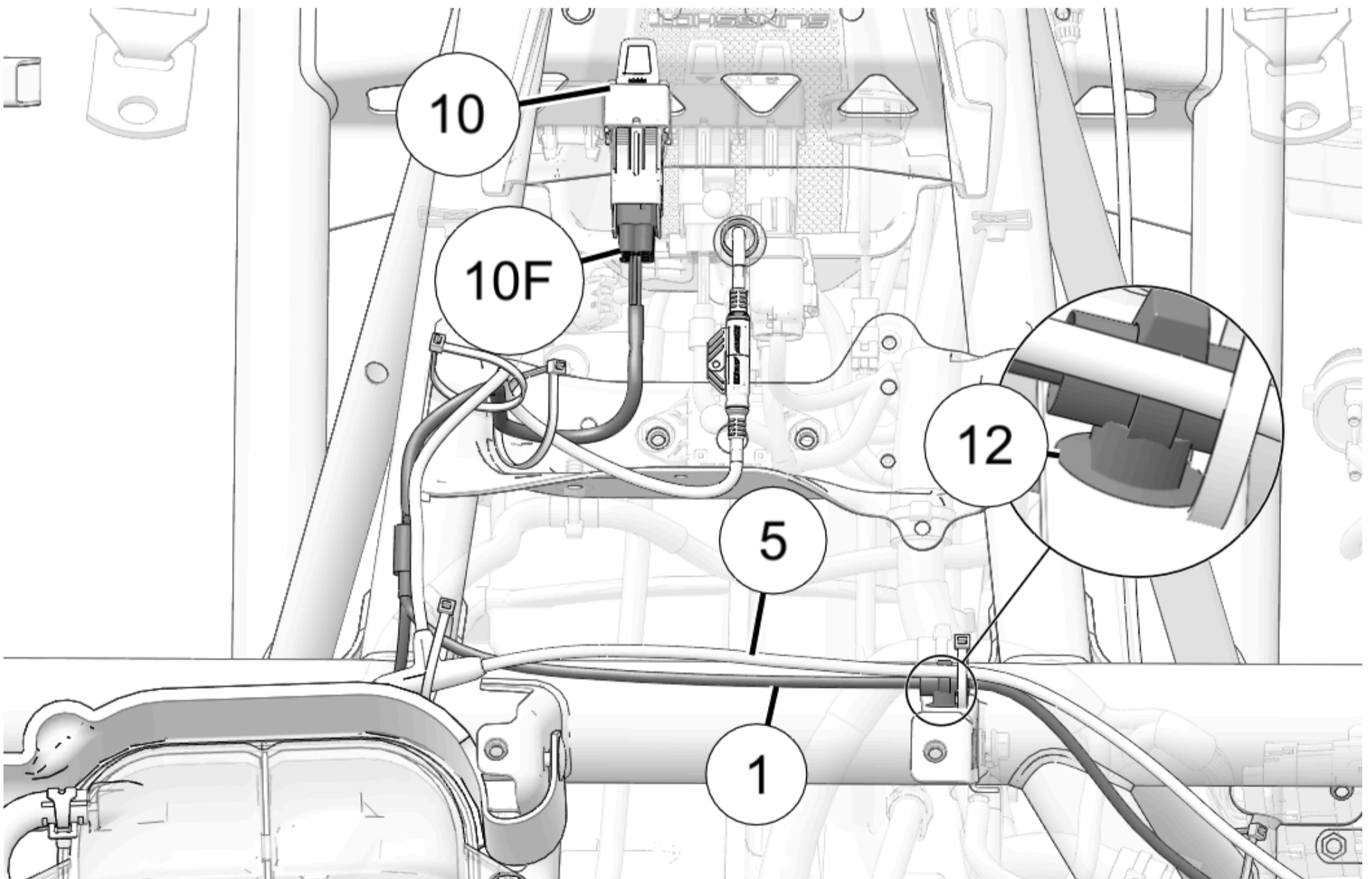


Install Multicolor Interior LED Harness

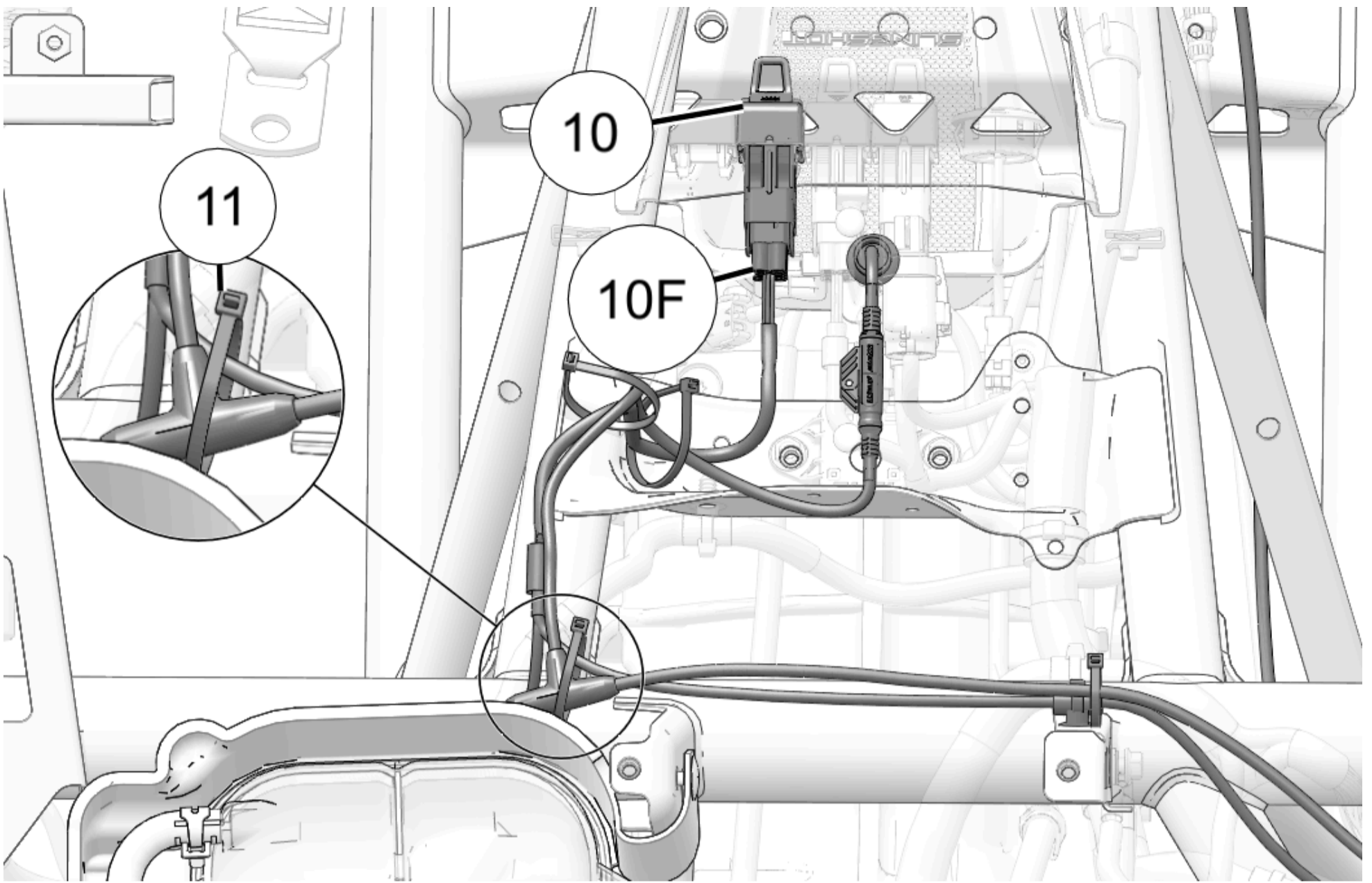
1. Connect multicolor interior LED harness (1) 2F to bluetooth controller (8) 2M. Put fir tree clip in existing hole as shown.



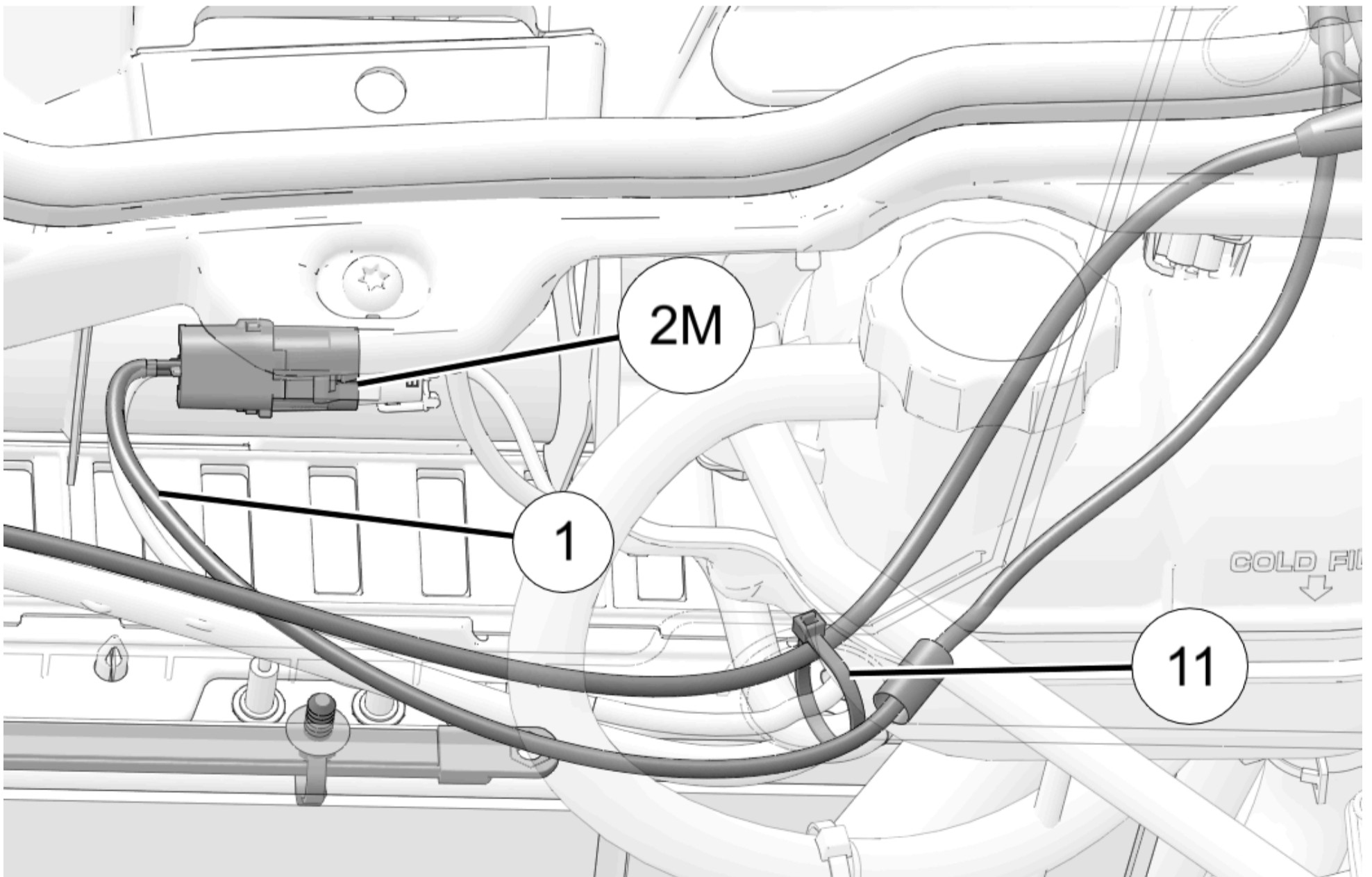
2. Route multicolor interior LED harness ① **10F** along harness ⑤ towards switch ⑩. Make sure harness ① is under ECM mounting bracket. Attach harness ① to bracket with routing clip ⑫.



3. Connect **10F** plug to rocker switch ⑩. Attach harness to existing harness with cable ties ⑪.



4. Route multicolor interior LED harness (1) along existing harness. Put through firewall along existing wiring. Connect plug 2F to chassis harness 2M. Attach with cable ties (11).

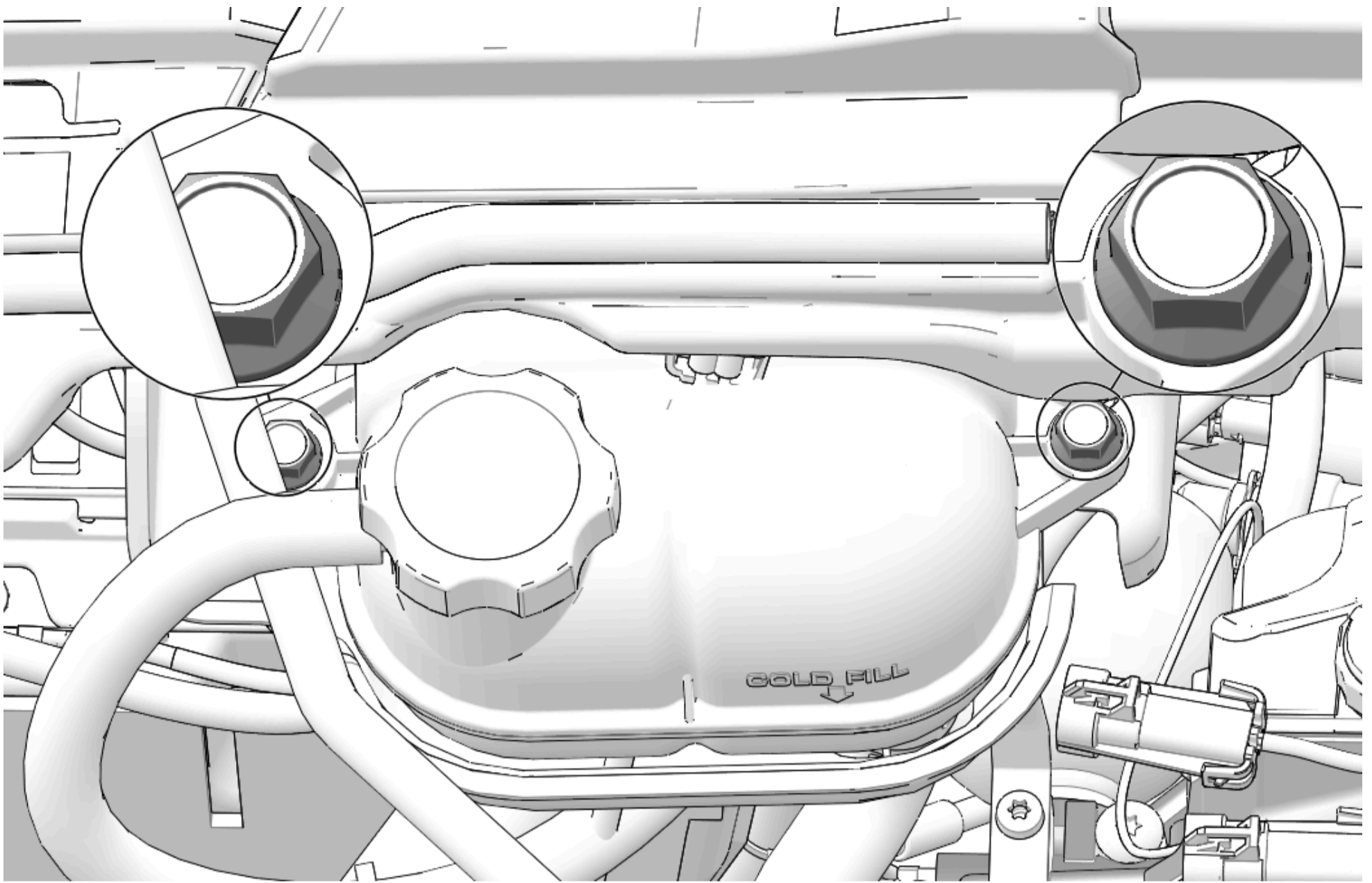


5. Put coolant reservoir in place and install screws. Torque to specification.

TORQUE

Coolant Reservoir Screws:

18 ft-lbs (24 N·m)

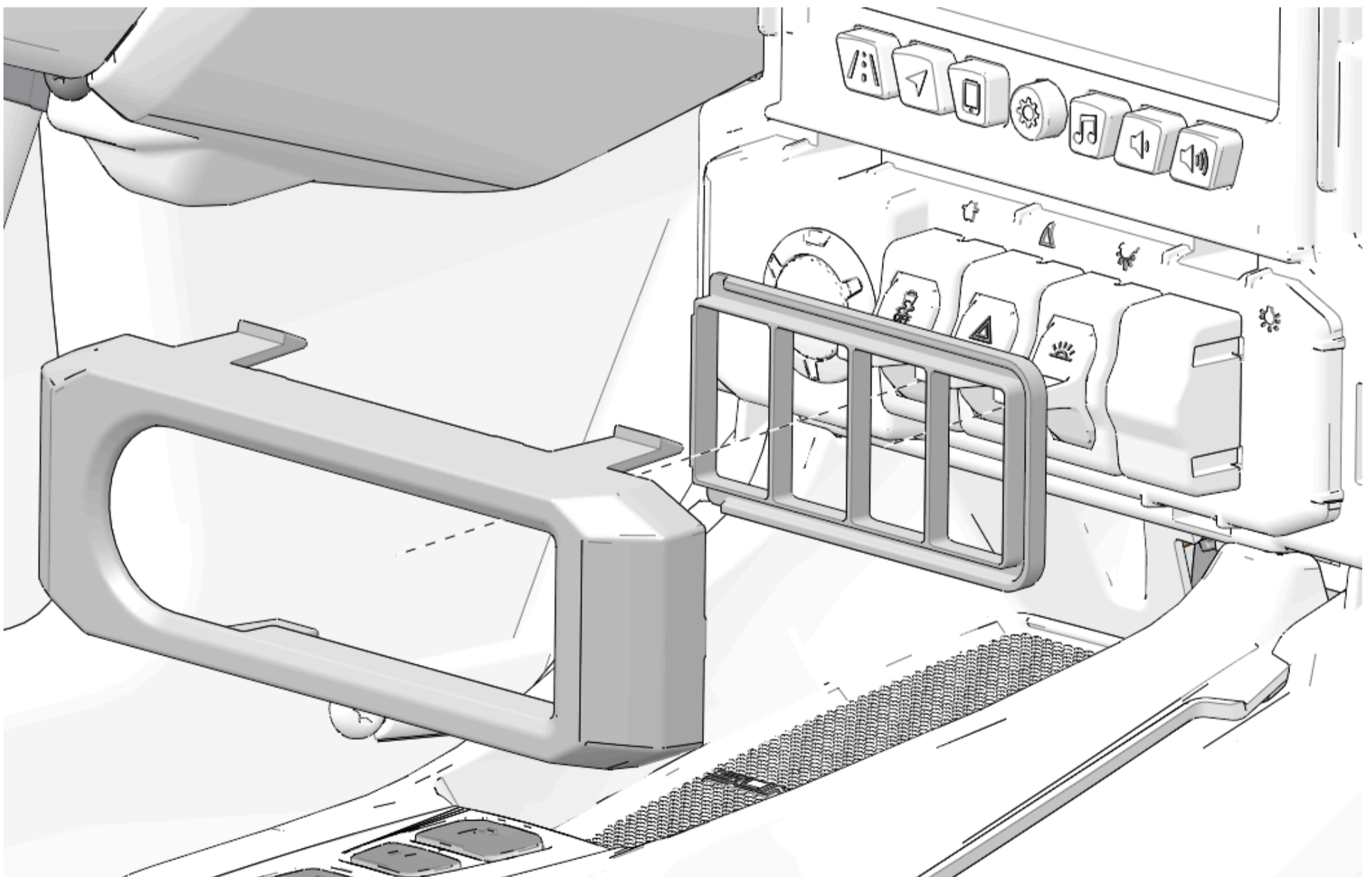


Vehicle Reassembly

Switch Panel And Console Reassembly

Install Console Trim

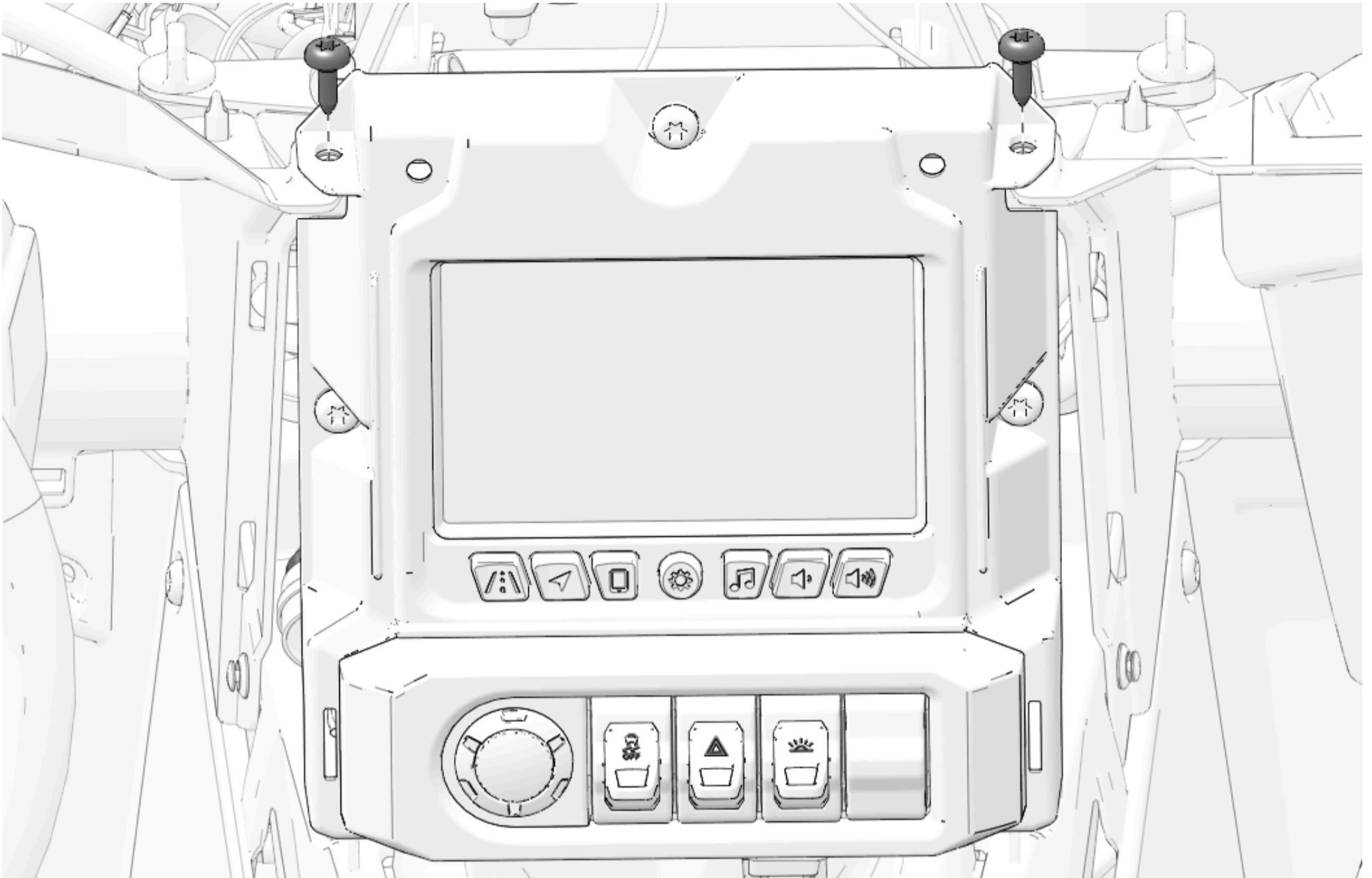
1. Put switch retainer bezel and switch bezel in place.



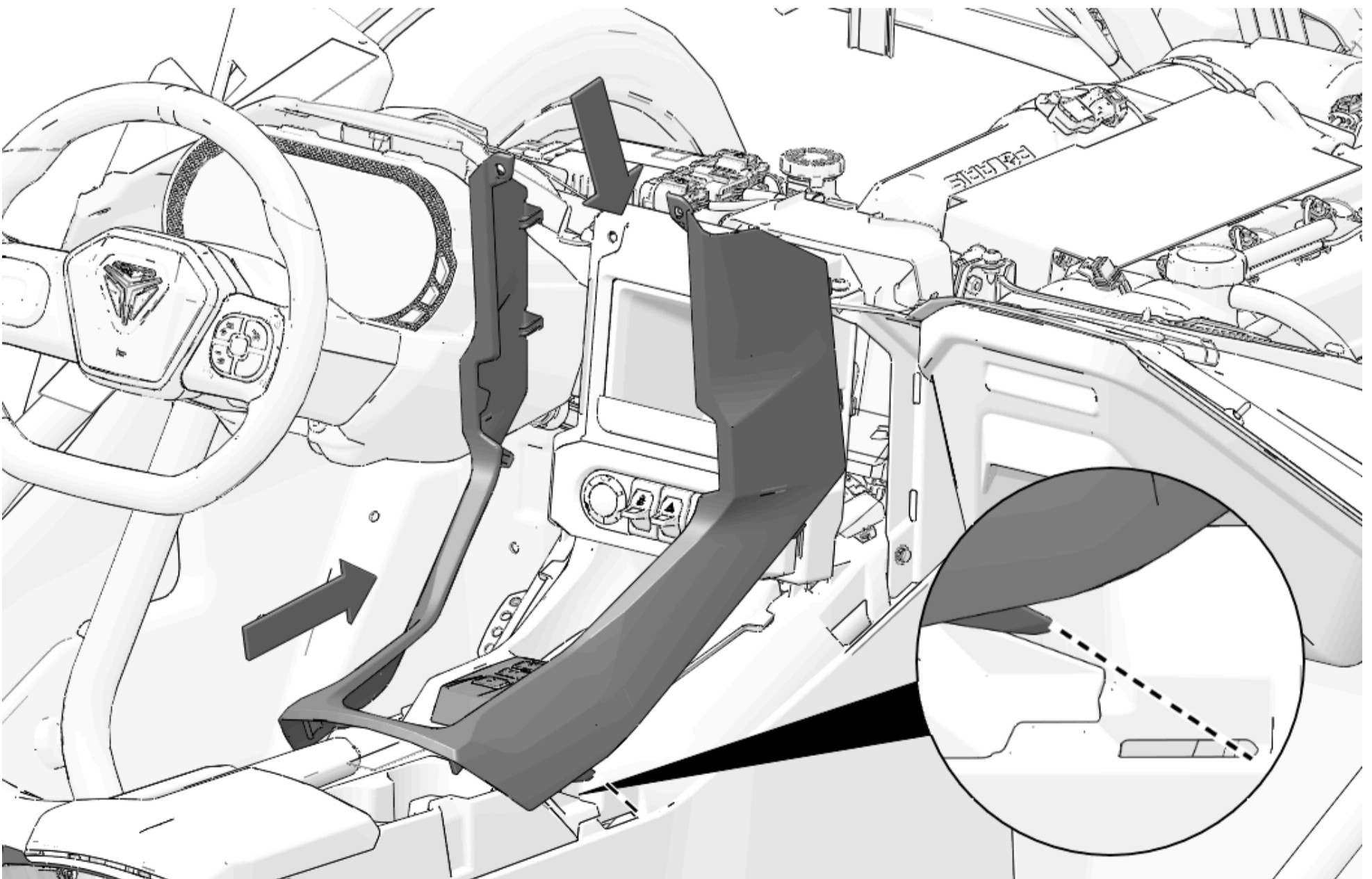
2. Put display center in place and install kept fasteners.

TORQUE

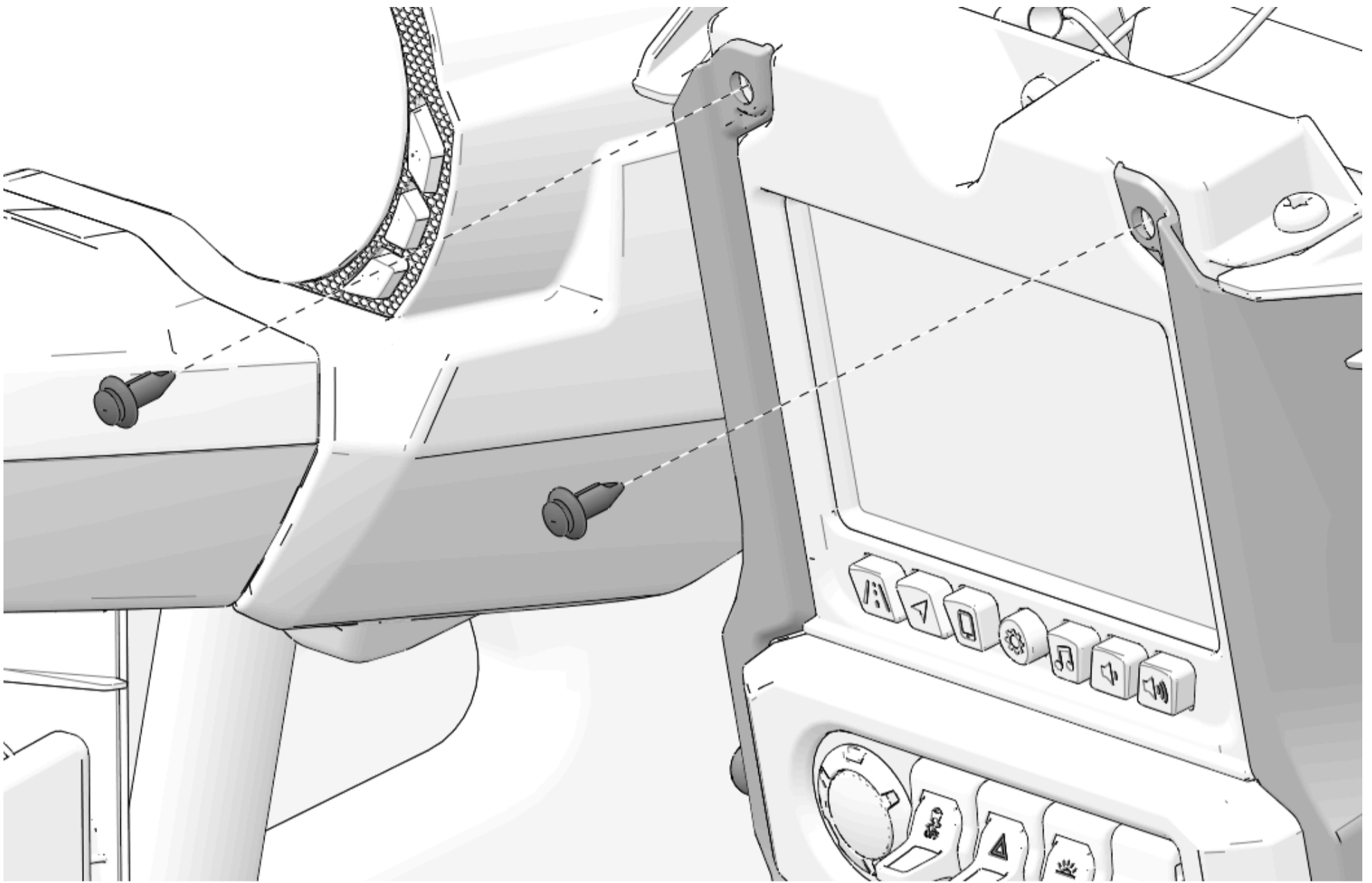
Fasteners:
35 in-lbs (4 N·m)



3. Install center console trim onto console. Make sure tabs are installed into openings.



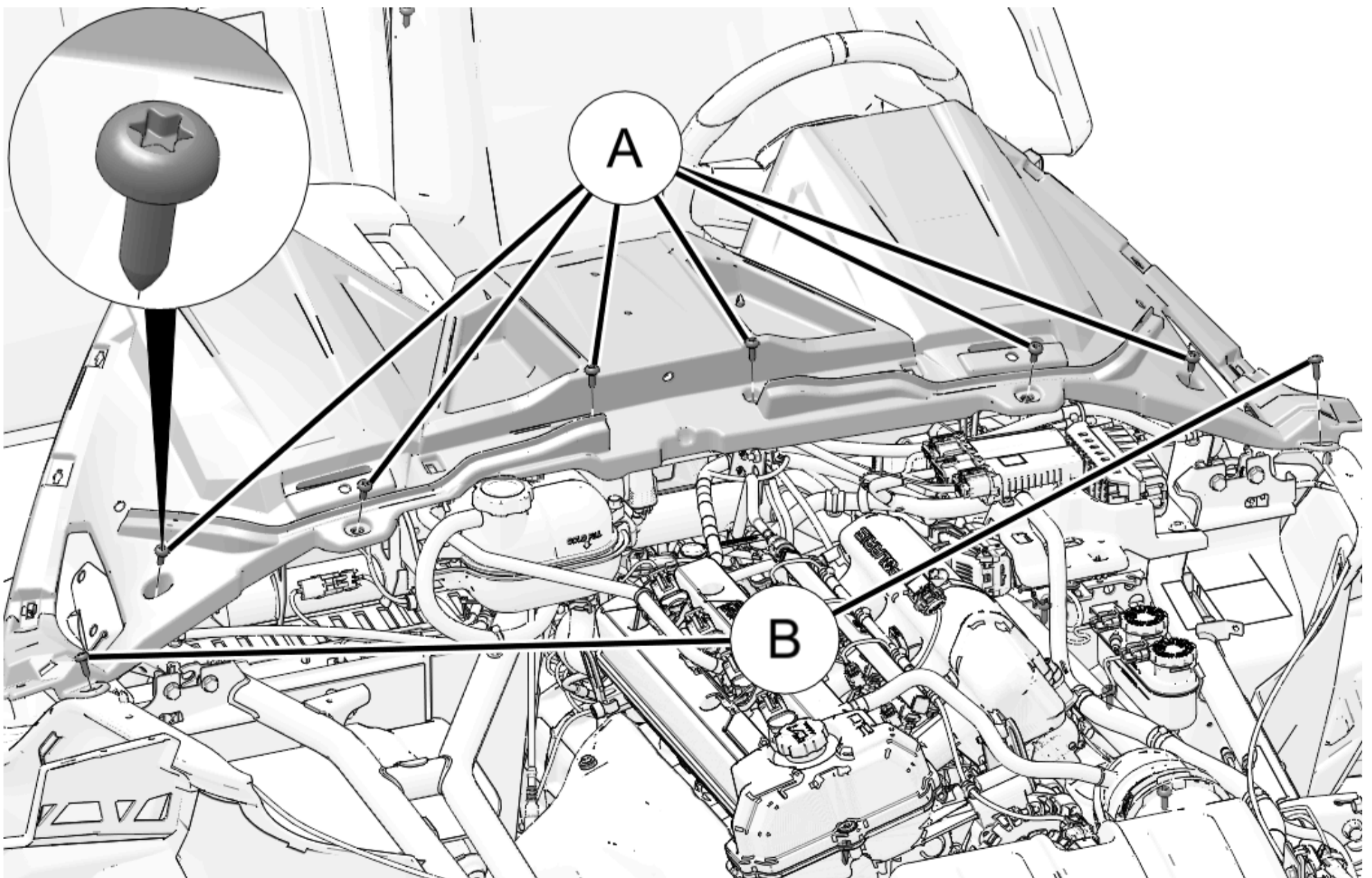
4. Install two kept push pins from center console trim.



Upper Dash Installation

Upper Dash Panel Installation

1. If equipped, connect dash tweeter speakers to main vehicle harness.
2. Set upper dash panel in place and loosely install eight kept screws (A) and (B).



3. Torque eight screws to specification.

TORQUE

Inner Upper Dash Panel Screws (A):

62 in-lbs (7 N·m)

TORQUE

Outer Upper Dash Panel Screws (B):

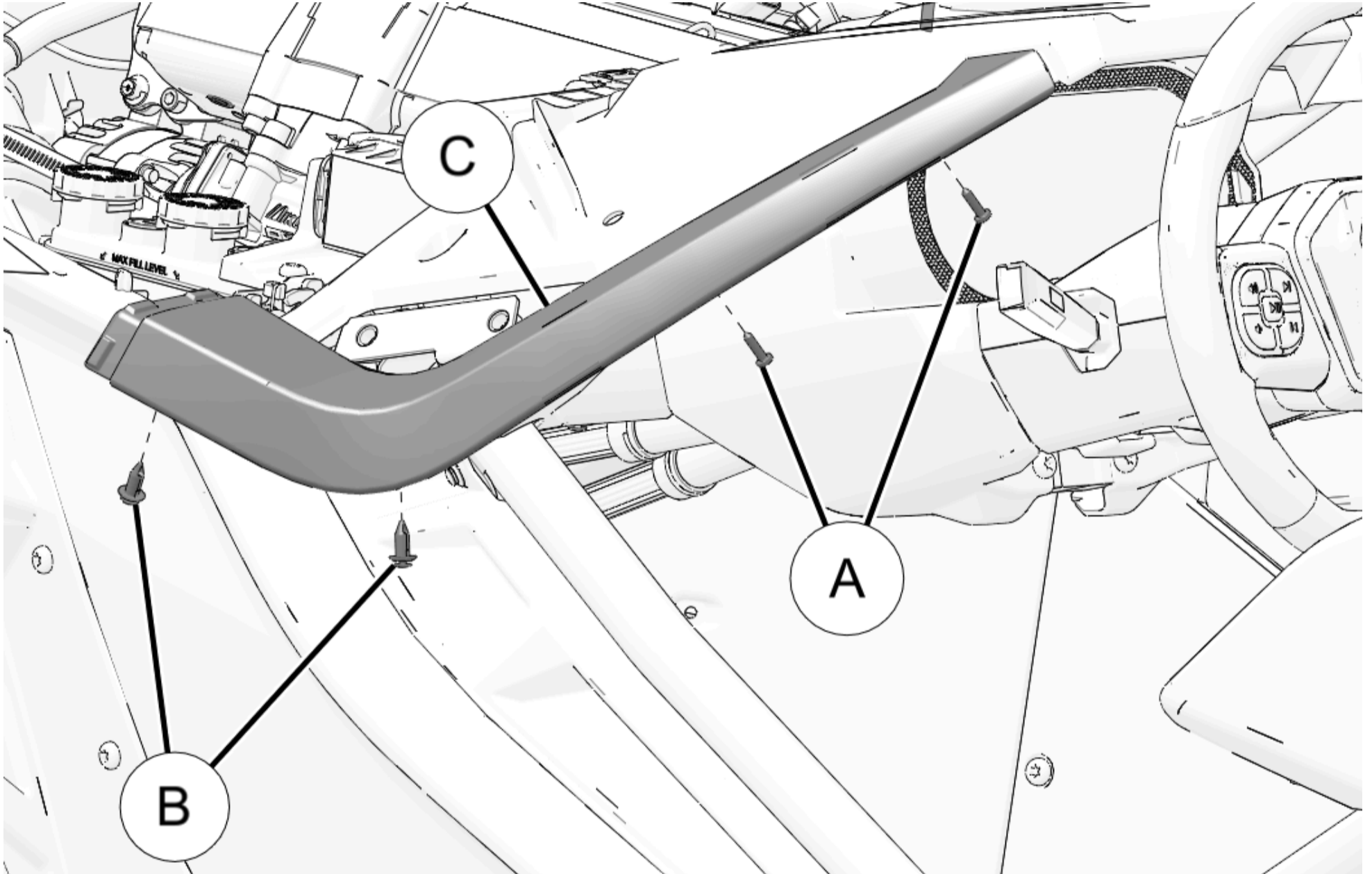
36 in-lbs (4 N·m)

Side Trim Panel Installation

1. Set side trim panel (C) in place. Loosely install trim panel with two kept screws (A) and two kept push-pin darts (B).

NOTICE

Left side shown; right side similar.



2. Tighten screws (A) until fully seated.

Upper Dash Painted Panels Installation (If equipped)

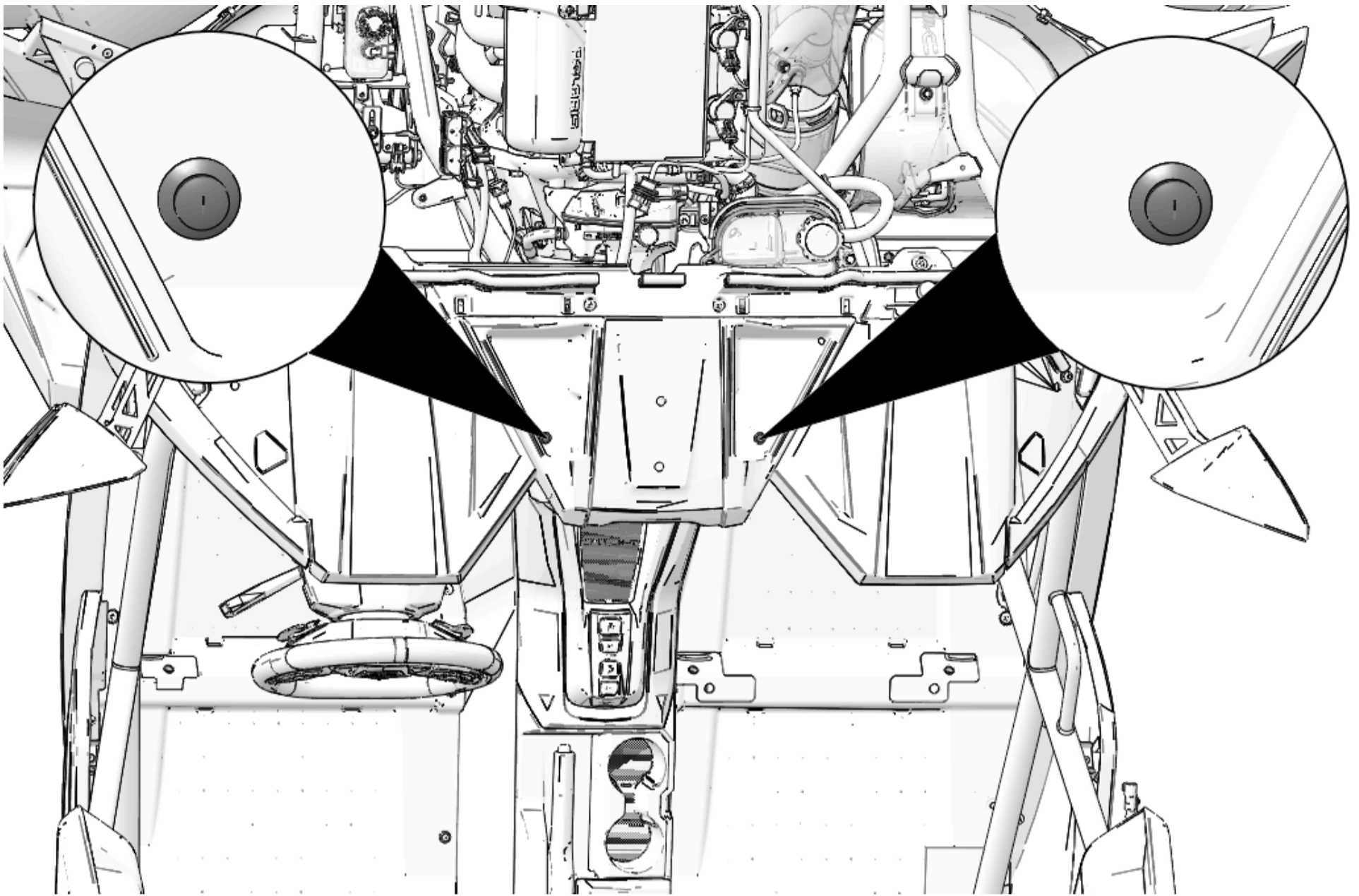
1. Install two kept push-pin rivets into the upper dash.

NOTICE

Push-pin rivets need to be installed differently depending on the model. See images below.

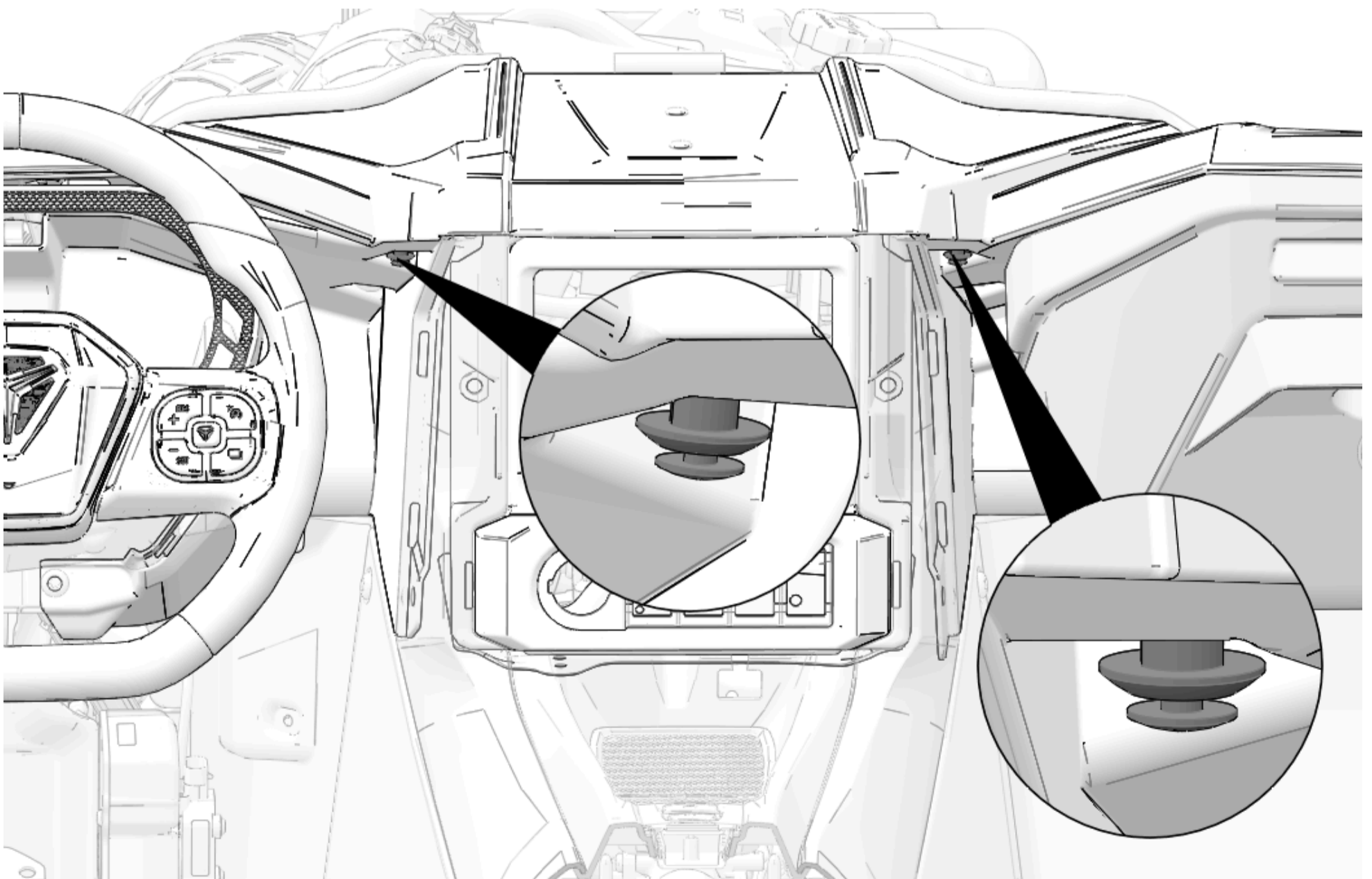
NOTICE

Access push-pin rivets from top of dash to install.

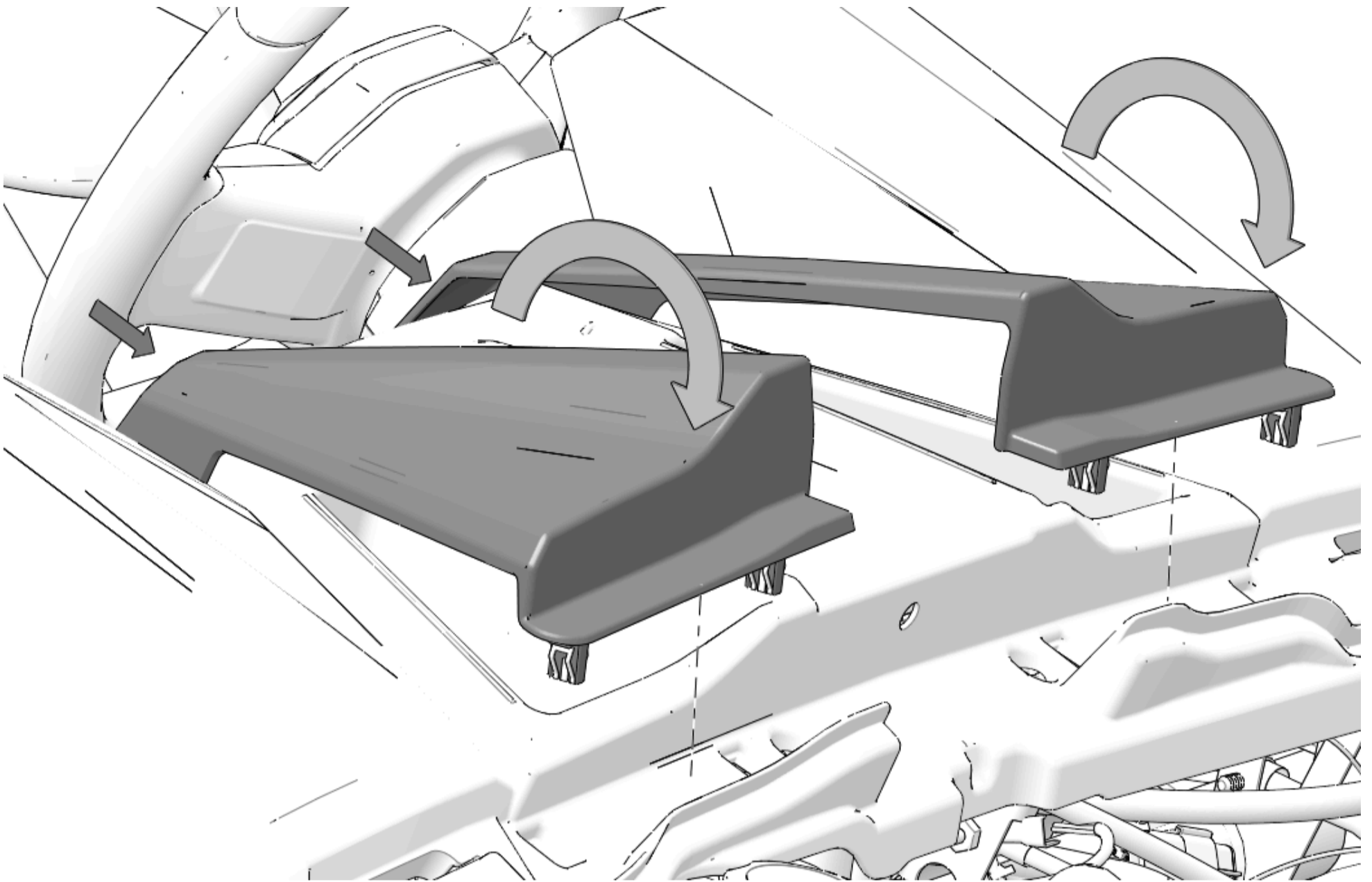


NOTICE

Access push-pin rivets from below dash to install.



2. Put small end of panels under dash and turn to push clips into place.

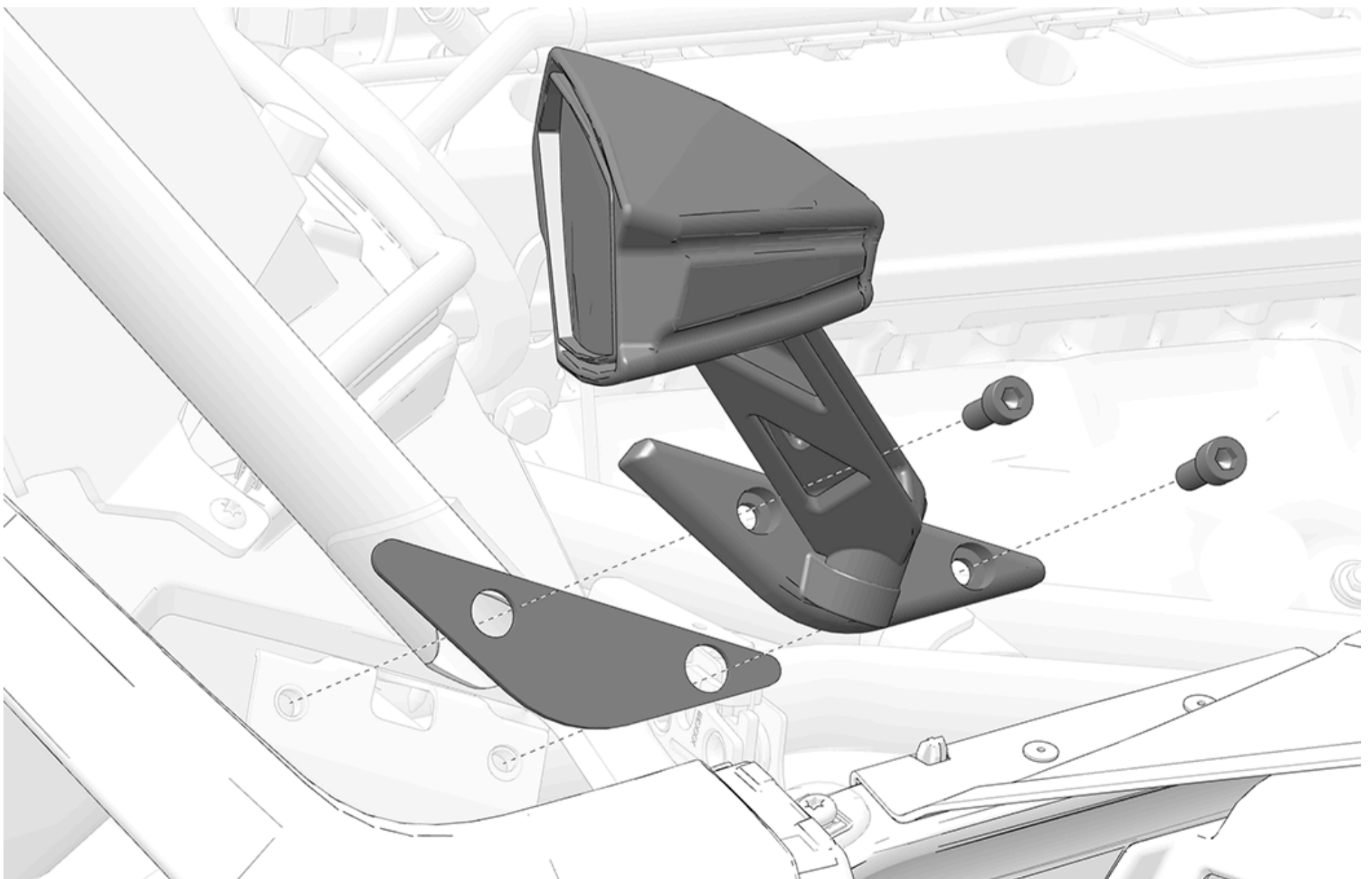


Mirror Installation

1. Set kept rubber damper and mirror in place and loosely install with two mirror mounting screws.

NOTICE

Right side shown; left side similar.



2. Torque screws to specification.

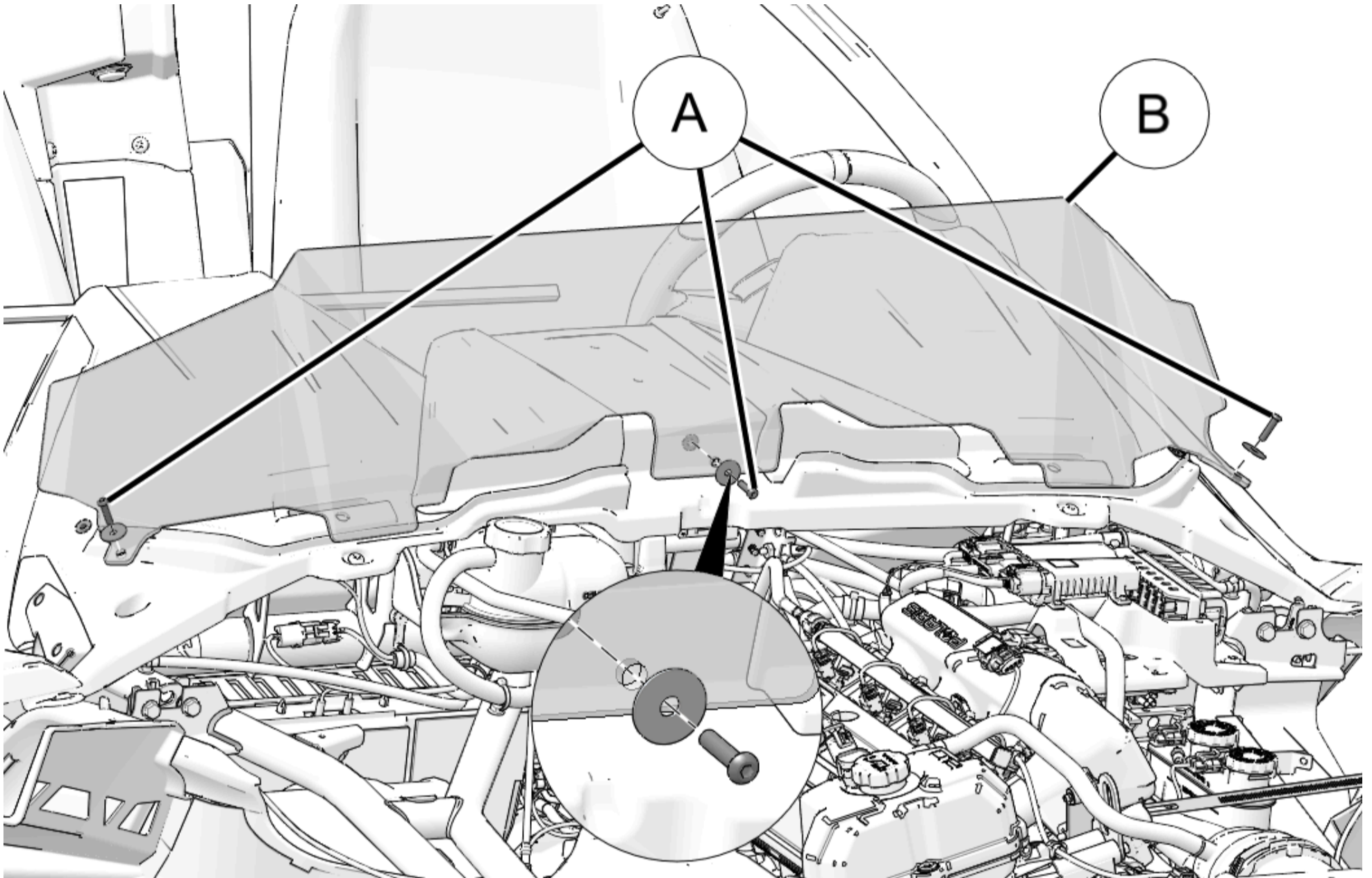
TORQUE

Mirror Mount Screws:

35 ft-lbs (47 N·m)

Install Wind Deflector

1. Set wind deflector (B) in place and attach with kept fasteners (A).



2. Torque fasteners to specification (if applicable).

TORQUE

Wind Deflector Threaded Fastener:

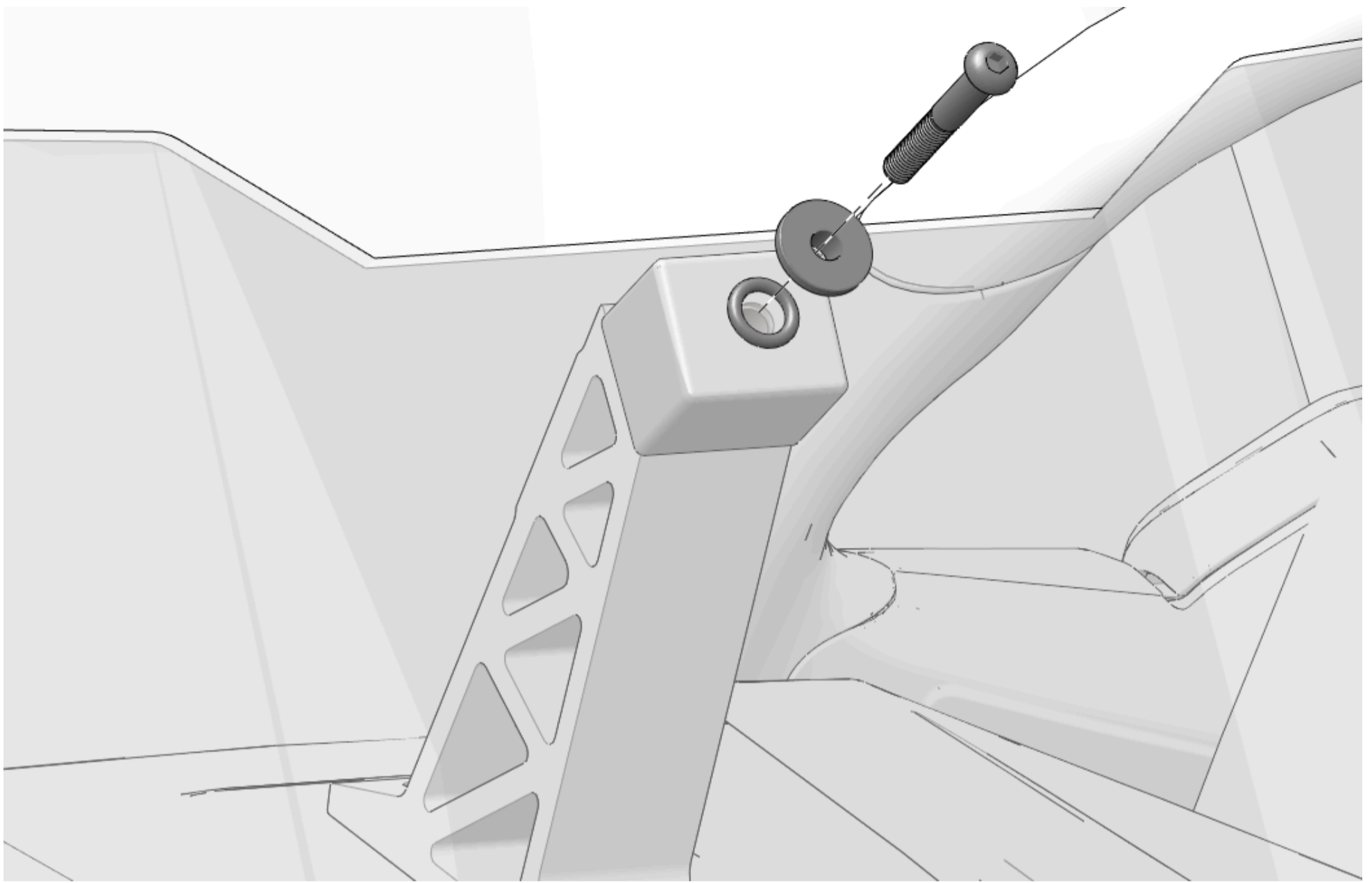
9 in-lbs (1 N·m)

3. If equipped, install screw, washer and O-ring into center wind deflector mount. Torque screw to specification.

TORQUE

Wind Deflector Center Mount Screw:

84 in-lbs (10 N·m)



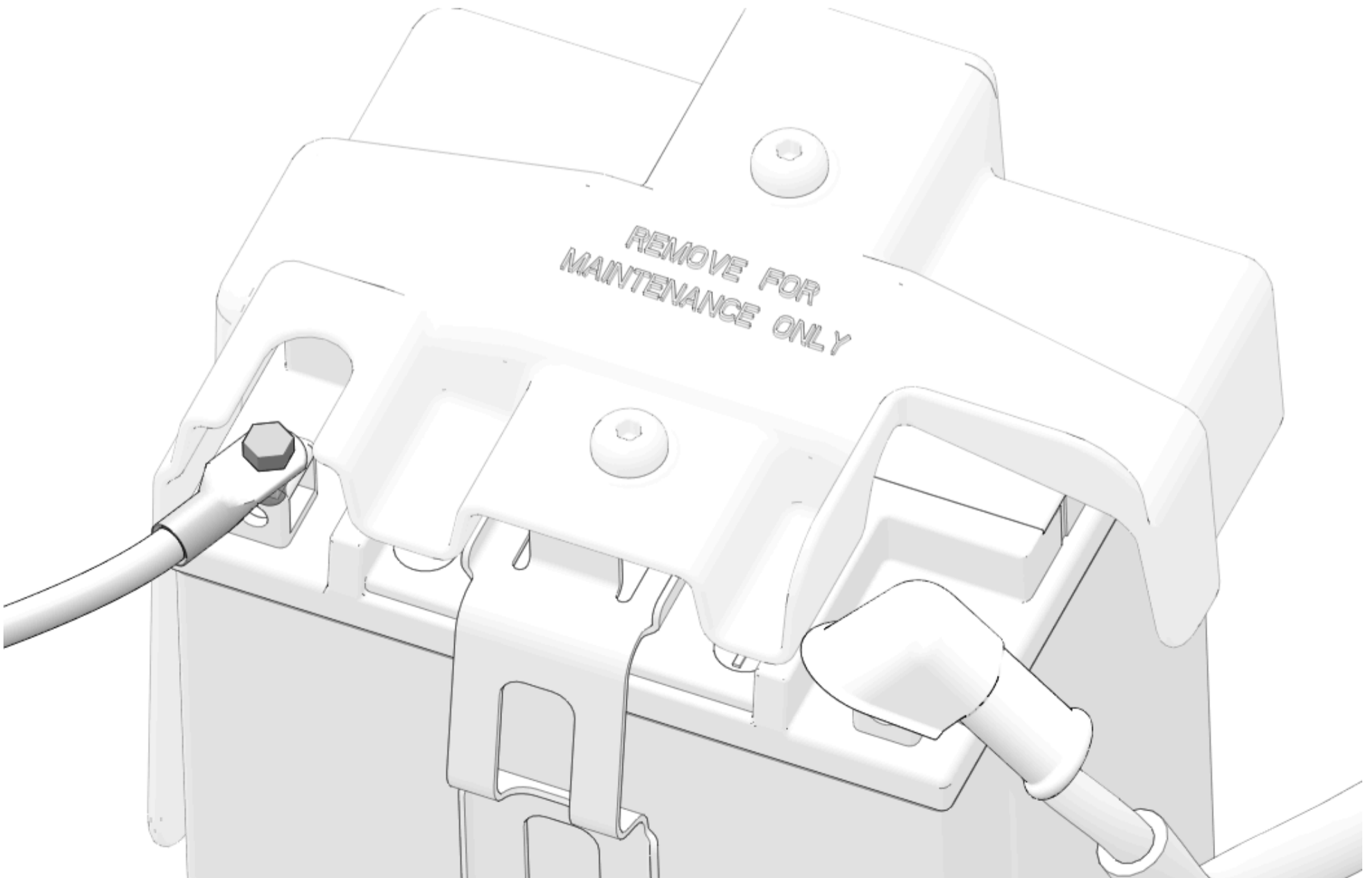
Battery Reconnect

1. Install negative (-) battery cable to battery with retained terminal bolt.

TORQUE

Battery Terminal Bolt:

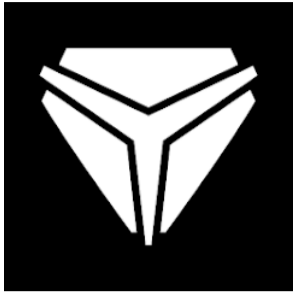
40 in-lbs (4.5 N·m)



Operation

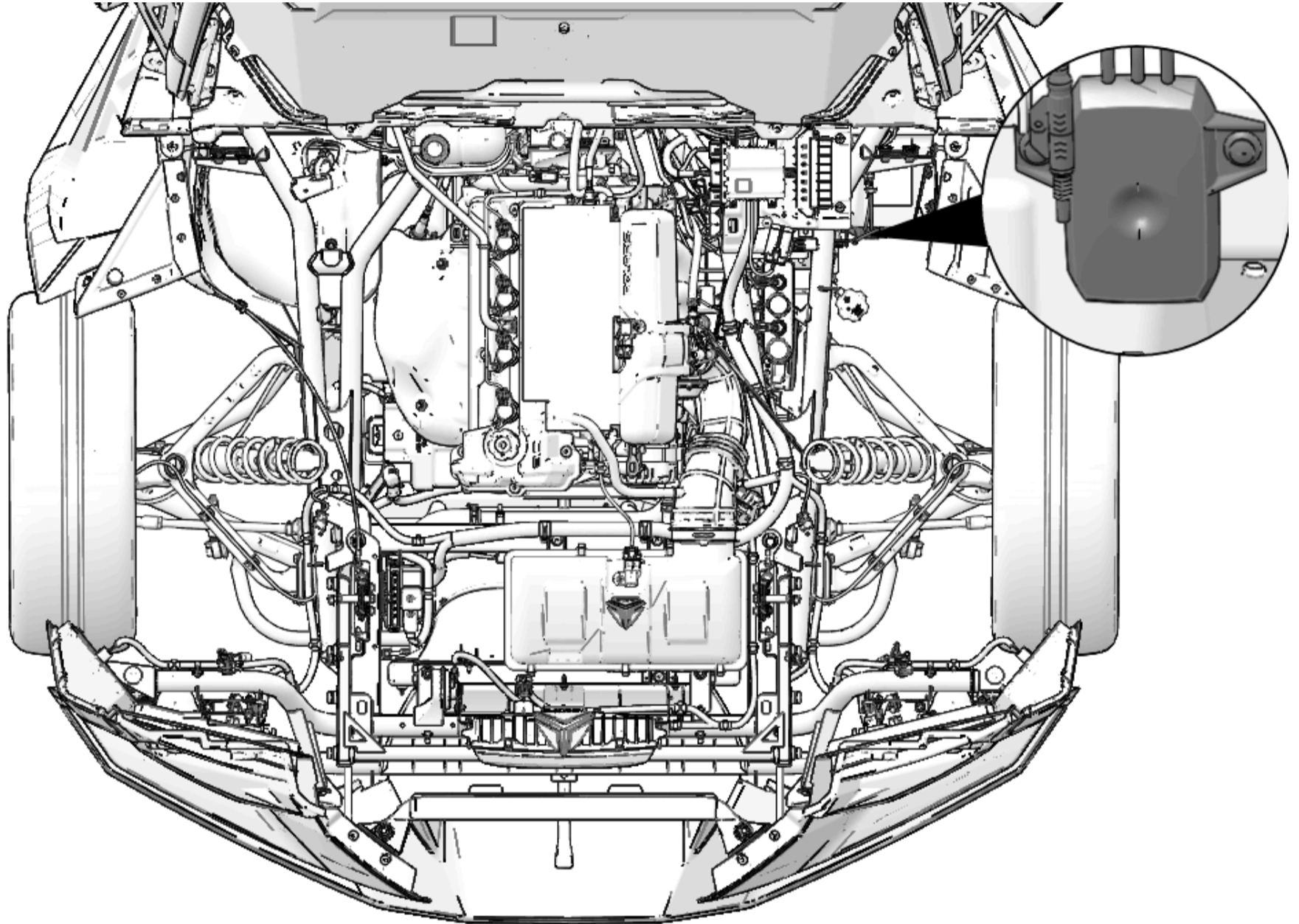
Slingshot LED App

Download the Slingshot® LED App by Polaris® Industries for the Apple or Android device that will be used to control the Multicolor Interior LED Kit. Search "Slingshot LED" by "Polaris Industries". Follow the setup procedure in the App.

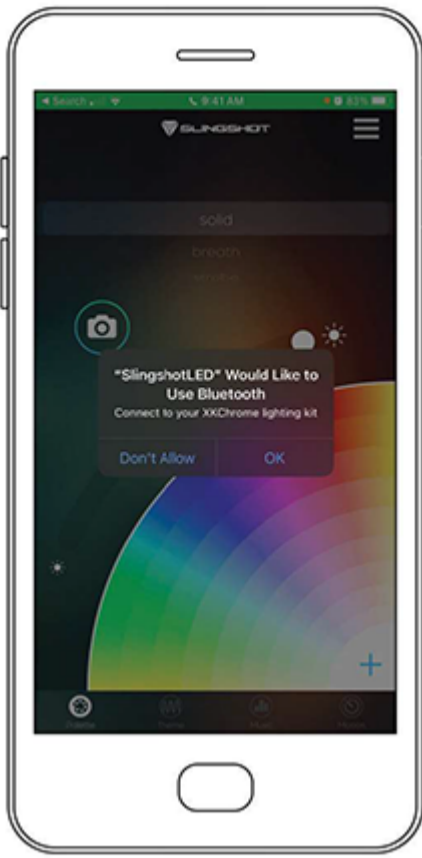


Setup

1. Lift hood and locate controller on the left side near the footwell.



2. Put vehicle into full ignition mode. Do not start the engine.
3. Set the accessory light switch on the console to ON. The Slingshot® badge should illuminate on the controller.
4. From your smartphone settings, open Bluetooth® options and ensure Bluetooth® is ON. The controller should appear in the device list under the name, "XKGlow".
5. Open the Slingshot® LED app. You will be prompted to allow "Slingshot LED" to use the bluetooth®. Press OK.



6. Press "Start Pairing" to pair with the controller. Follow the onscreen prompts to complete the setup.

7. Use the app or press the button on the front of the controller to change light settings.

[Site Map](#)

[Privacy Policy](#)

[Accessibility](#)

© 2026 Polaris Inc.