

# POLY REAR PANEL KIT



**P/N 2881614**

## APPLICATION

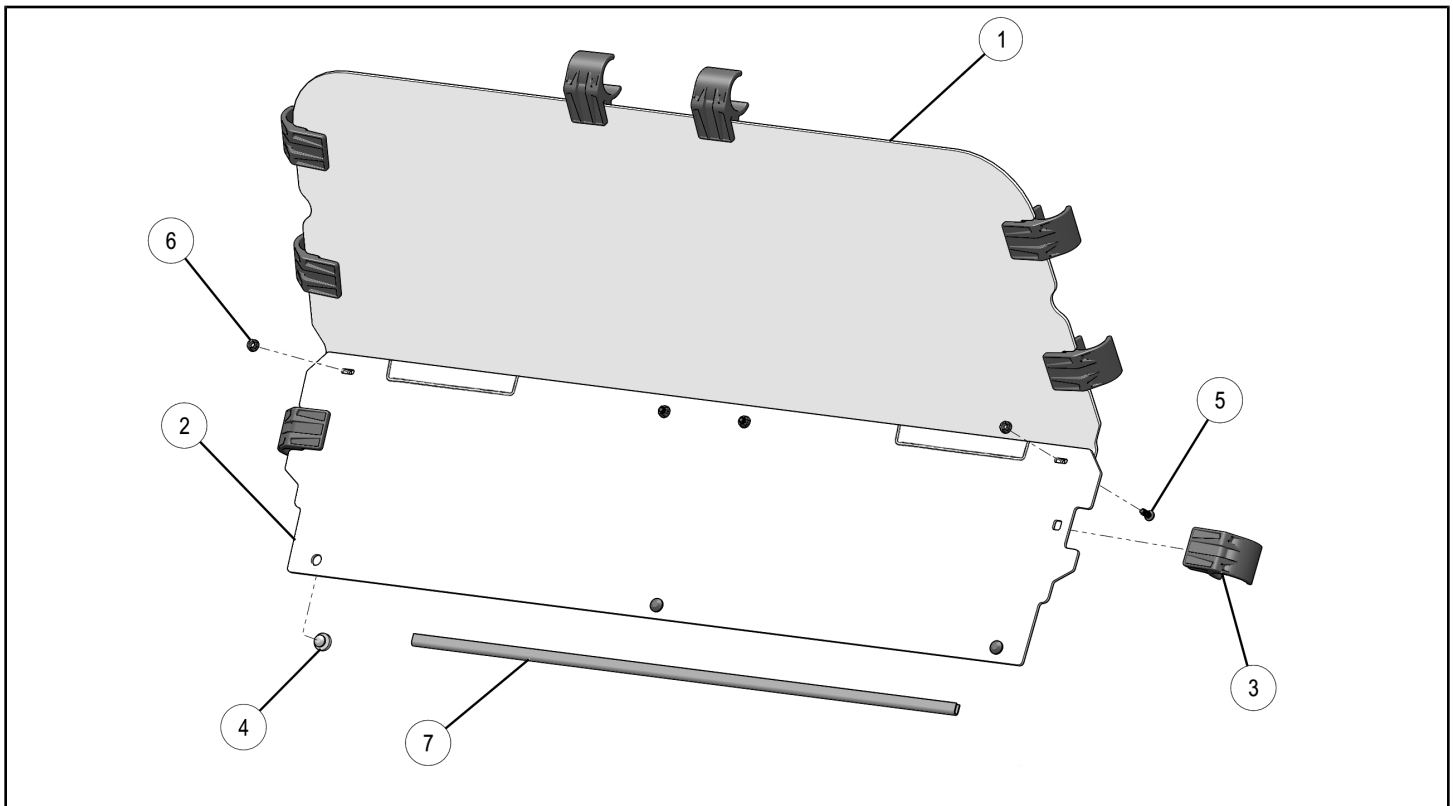
RZR XP 1000, RZR XP 4 1000

## BEFORE YOU BEGIN

Read these instructions and check to be sure all parts and tools are accounted for. Please retain these installation instructions for future reference and parts ordering information.

## KIT CONTENTS

This Kit includes:



REF	QTY	PART DESCRIPTION	PART NUMBER
1	1	Upper Rear Panel	-
2	1	Lower Rear Panel	-
3*	8	Retainer Clip	-
4*	3	Rubber Bumper	-
5*	12	Plastic Dart Clip	-
6*	12	Plastic Lock Clip	-
7	1	Trim	-
	1	Instructions	9926687

Items marked (\*) are included in Hardware Kit PN 2206192.

## TOOLS REQUIRED

- Safety Glasses

- Utility Knife or Other Cutting Tool

## IMPORTANT

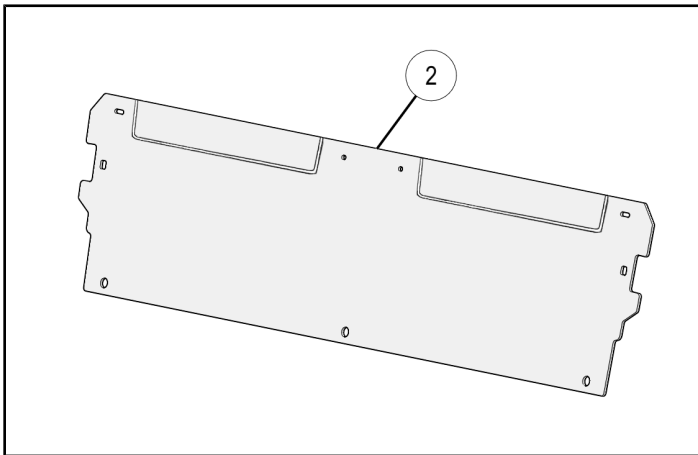
Your POLY REAR PANEL KIT is exclusively designed for your vehicle. Please read the installation instructions thoroughly before beginning. Installation is easier if the vehicle is clean and free of debris. For your safety, and to ensure a satisfactory installation, perform all installation steps correctly in the sequence shown.

## ASSEMBLY TIME

Approximately 15-20 minutes

## INSTALLATION INSTRUCTIONS

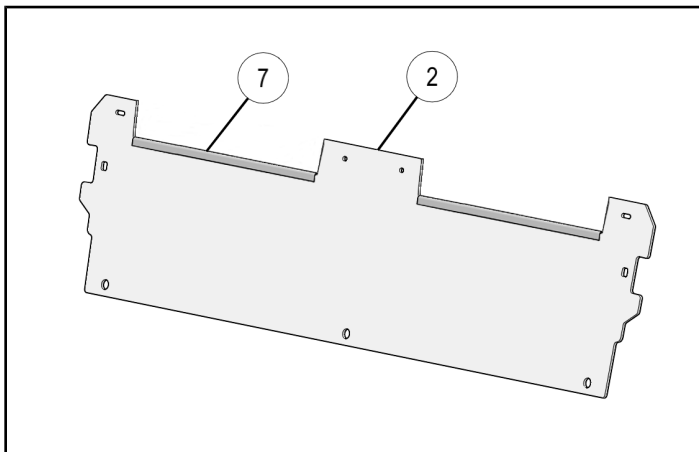
1. Place vehicle in "PARK". Turn key to "OFF" position and remove from vehicle.
2. Remove (rear) seats.
3. If vehicle has multi-point harness accessory installed, then perform the following:
  - a. Carefully cut lower panel ② in machined grooves on rear of panel as shown.



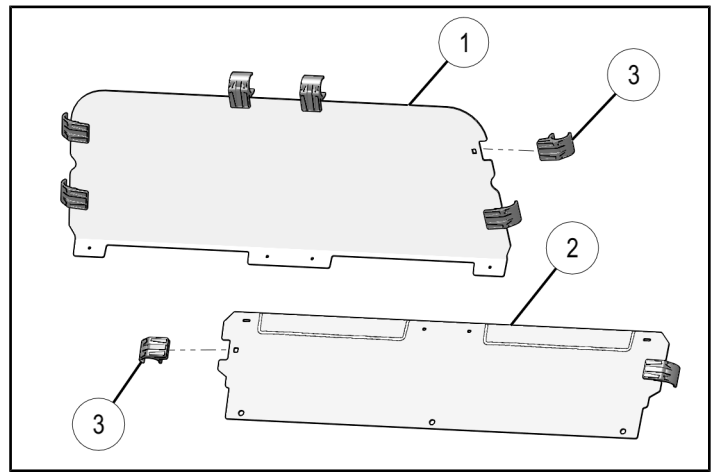
- b. Cut trim ⑦ into two equal lengths, then install trim to lower panel ② as shown.

### NOTE

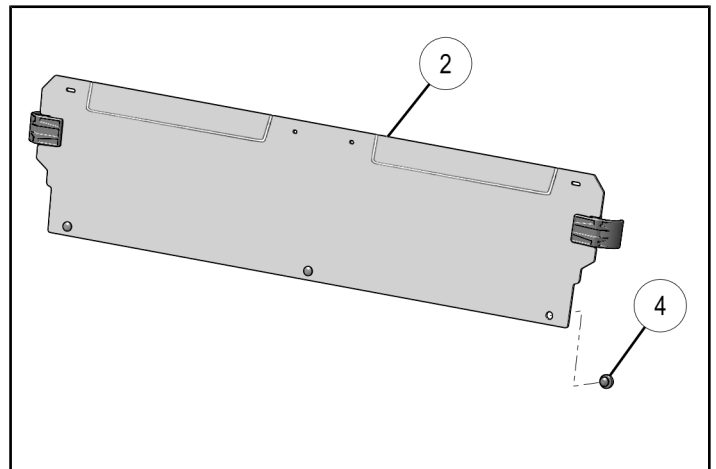
Trim protects harness from panel edges.



4. Snap retainer clips ③ into upper panel ① and lower panel ② as shown. Ensure clips are facing proper direction.



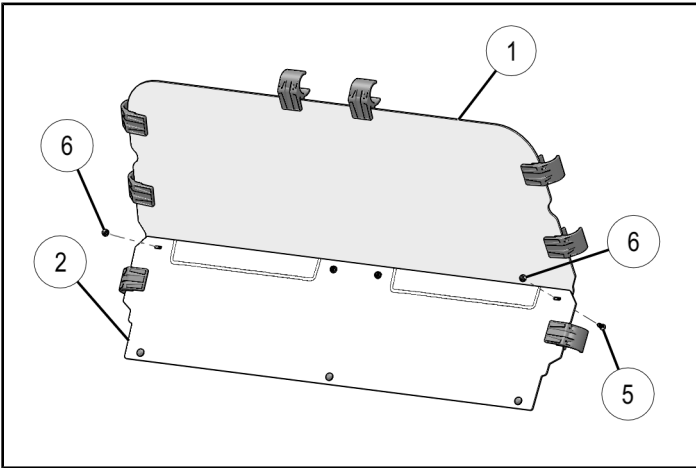
5. Push rubber bumpers ④ into lower edge of lower panel ② as shown.



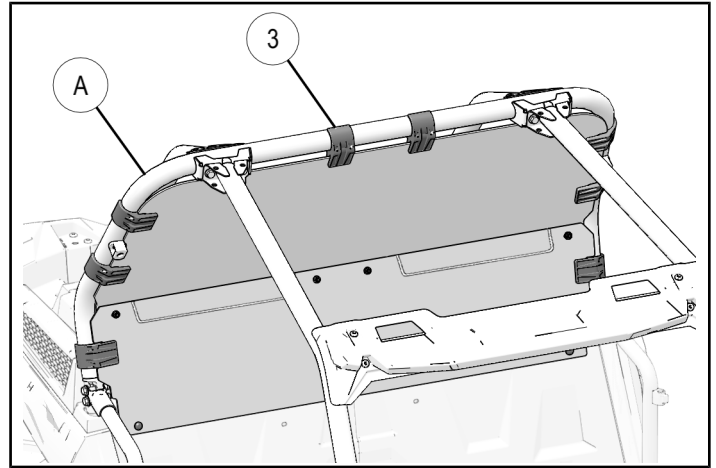
6. Assemble upper panel ① to lower panel ② with four dart clips ⑤ and four lock clips ⑥ as shown.

**NOTE**

Additional clips ⑤ ⑥ may be included as spares.



7. Center panel in ROPS (A), then snap upper two retainer clips ③ into upper cross bar as shown. Work down, snapping remaining retainer clips into ROPS (A).



8. Reinstall seats.