

LOWER DOOR KIT



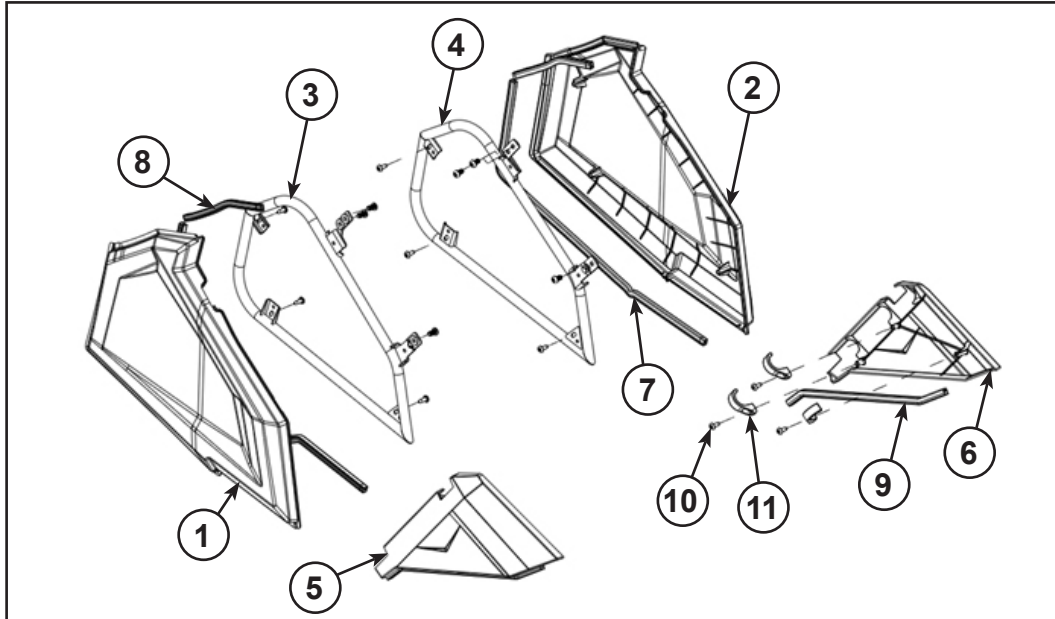
P/N 2880207

APPLICATION

RZR 900

BEFORE YOU BEGIN

Read these instructions thoroughly and make sure all parts and tools are accounted for. Please retain these installation instructions for future reference and parts ordering information.



KIT CONTENTS

Ref	Qty	Part Description	Part Number
1	1	Lower Poly Door Panel, LH, 50	5451343
2	1	Lower Poly Door Panel, RH, 50	5451344
3	1	Lower Door Mount Weld, LH, 50	1020598
4	1	Lower Door Mount Weld, RH, 50	1020599
5	1	Cover Panel, Bolster, INJ, LH	5450755
6	1	Cover Panel, Bolster, INJ, RH	5450756
7*	2	Weatherstrip Seal, Lower, Door, RH	5522024-778
8*	2	Weatherstrip Seal, Lower, Door, LH	5522024-221
9*	2	Weatherstrip Seal, Bolster, 50	5522024-450
10*	12	Screw-TX TRUSS-#14X3/4	7519045
11*	6	J-Mount Bracket, INJ	5451472
	1	Instructions	9925194

ITEMS MARKED (*) ARE INCLUDED IN HARDWARE KIT PN 2205182.

TOOLS NEEDED

Torx Set

Safety Goggles

Metric Wrench Set

Metric Socket Set and Ratchet

APPROXIMATE ASSEMBLY TIME

10-15 min

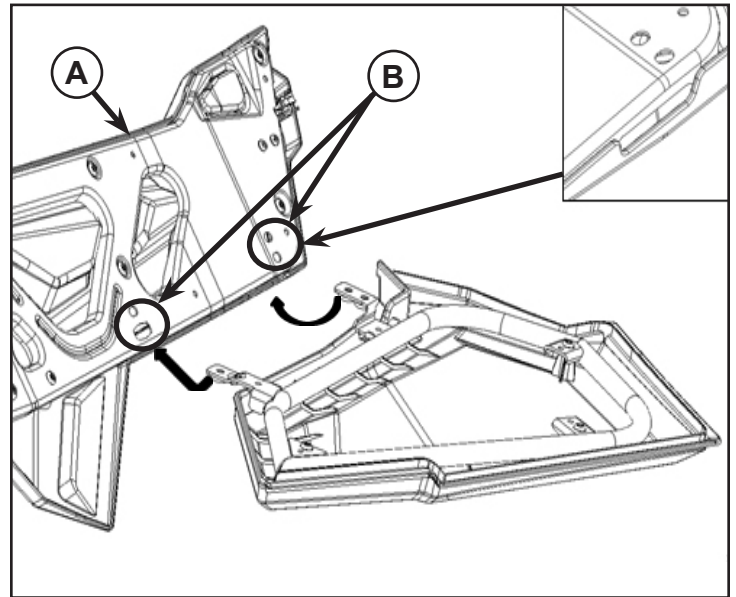
IMPORTANT

Your Polaris LOWER DOOR KIT is exclusively designed for your vehicle. Please read the installation instructions thoroughly before beginning. Installation is easier if the vehicle is clean and free of debris. For your safety, and to ensure a satisfactory installation, perform all installation steps correctly in the sequence shown.

INSTALLATION INSTRUCTIONS

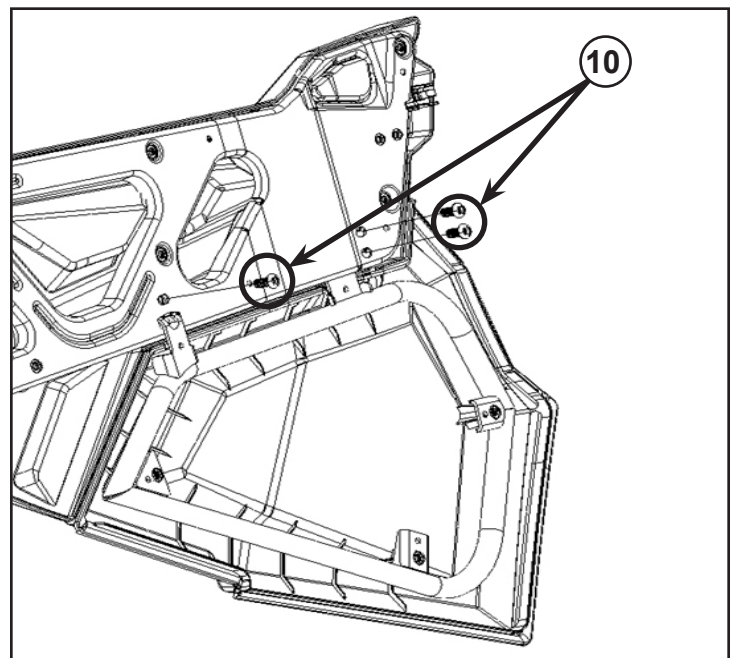
1. Place the vehicle in "PARK" and turn the key to "OFF" position. Remove the key from the vehicle.
2. Slide the brackets of door lower subassembly (A) into the slots (B) of door frame.

NOTE: May need to loosen the front lower screw to gain better access to insert the front bracket between the outer panel and door stamping.

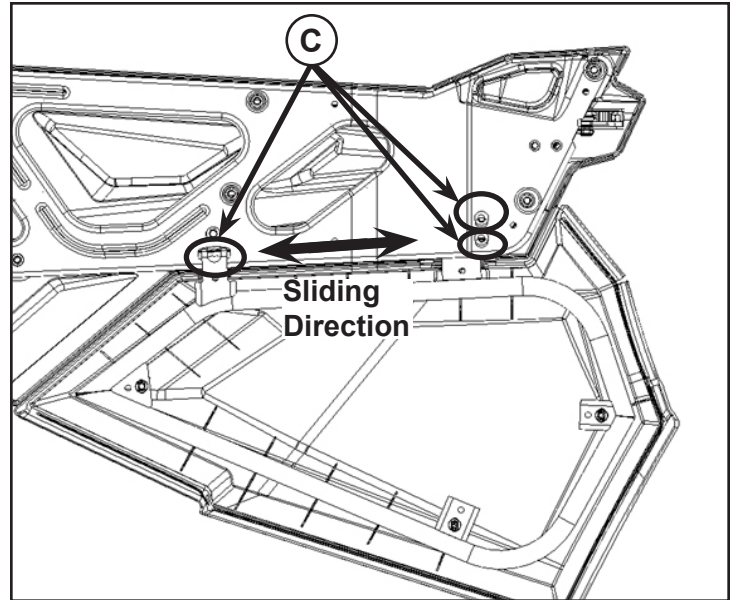


3. Install the screws (10) at three specific locations.

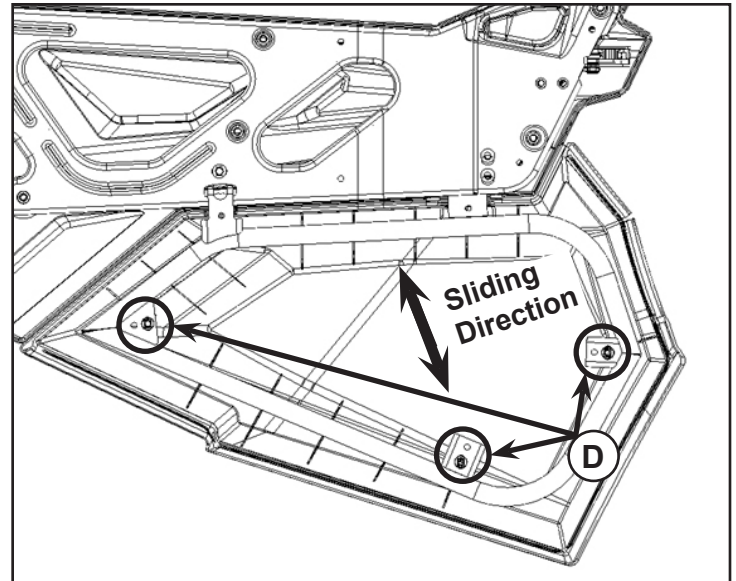
IMPORTANT: Loosely tighten the screws.



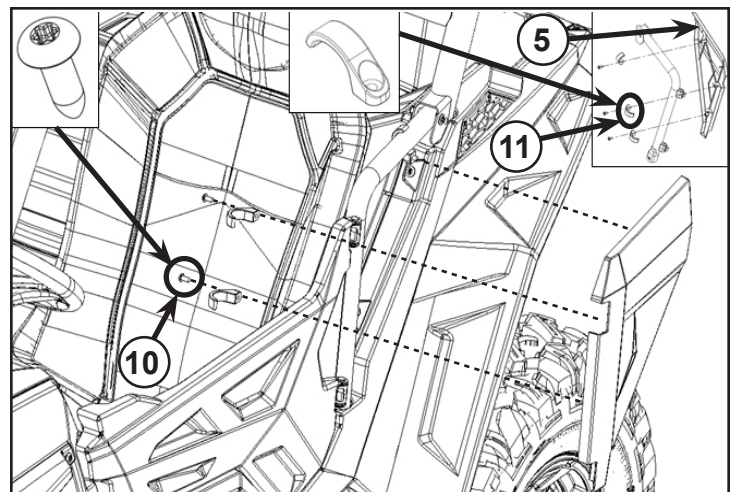
4. Adjust lower door using three slots (C) for horizontal adjustment as shown in the figure.



5. Adjust the door using three slots (D) for vertical adjustment as shown in the figure.
6. After adjustment, tighten the upper screws (10) to torque 16 ft. lbs. (21.7 Nm) and lower three screws to 5 ft. lbs. (6.78 Nm).



7. Install the bolster cover panel (5) onto the bolster using J-mount clamps (11) and screws (10) at three locations. Torque to 5 ft. lbs. (6.78 Nm).



8. Repeat all the above steps for passenger side lower RH door.