

STEEL ROOF KIT

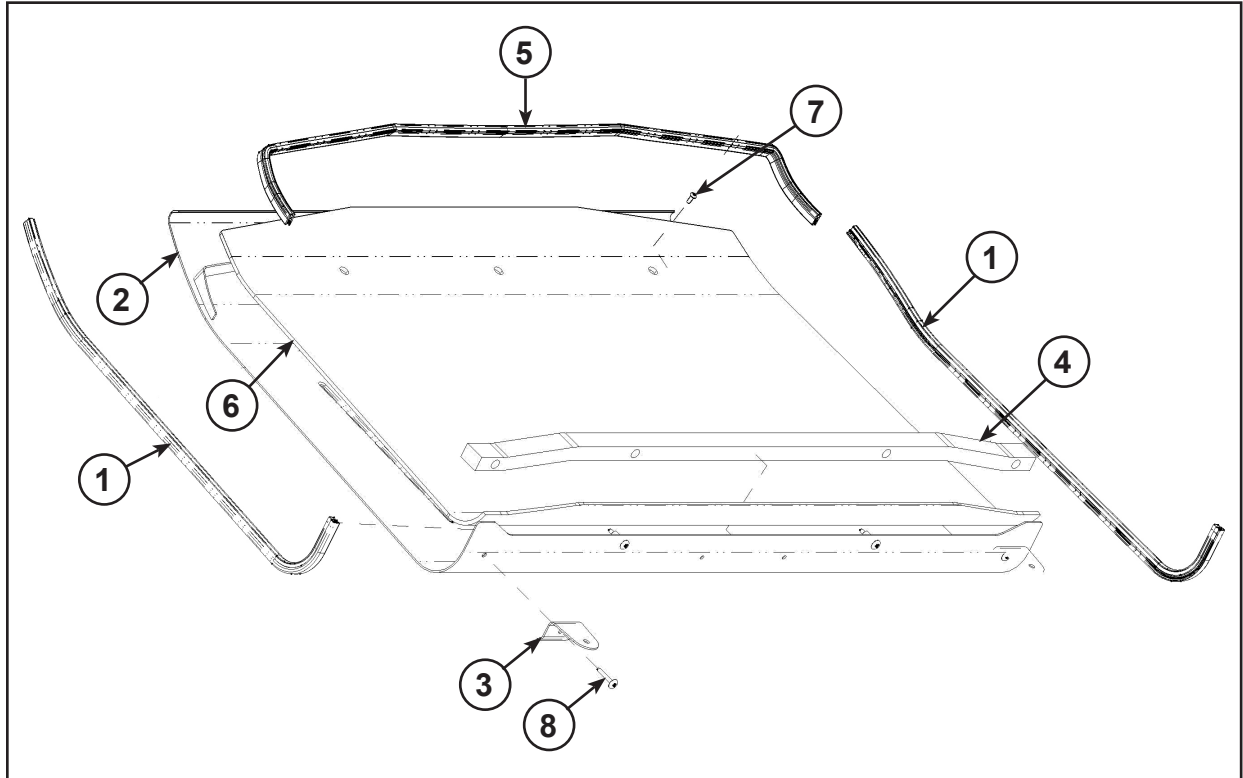
P/N 2879954

Application

RANGER 570 AND RANGER ETX



Before you begin, read these instructions twice and check to be sure all parts and tools are accounted for. Please retain these installation instructions for future reference and parts ordering information.



Kit Contents:

<u>Ref</u>	<u>Qty</u>	<u>Part Description</u>	<u>Part Number</u>
1	2	Side Foam Seal, Steel Roof	5814085
2	1	Steel Roof Weldment	1020417
3	2	Light Bracket Mount, Steel Roof	5259057
4	1	Rear Foam Seal, Steel Roof	5814084
5	1	Front Bulb Seal, Roof	5814086
6	1	Steel Roof Liner	5814172
7*	3	Bolt-M6X1.0X15, PH/TX-Olive D	7518656
8*	4	Screw-M6X1X40, TR/TX-Black	7519001
	1	Instructions	9925360

Items marked (*) are included in Hardware Kit PN 2205781.

Tools Required:

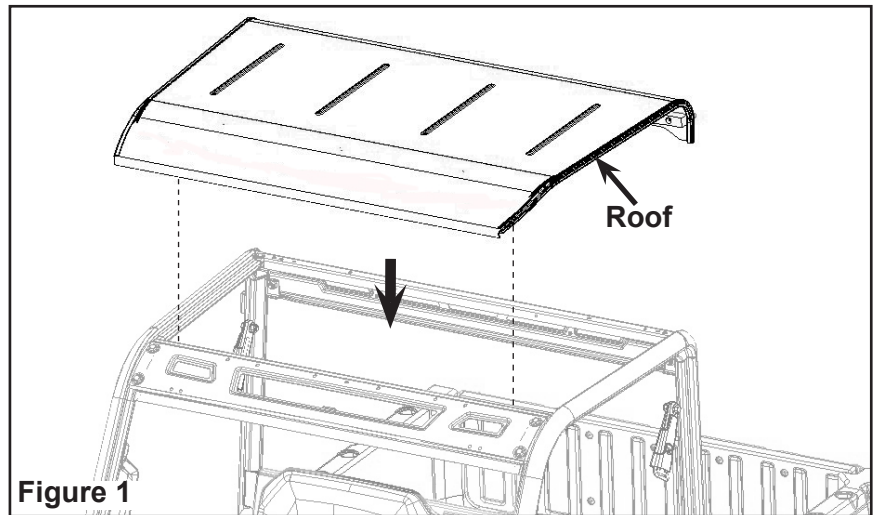
Safety Goggles Torx Drivers

APPROXIMATE ASSEMBLY TIME: 10 minutes

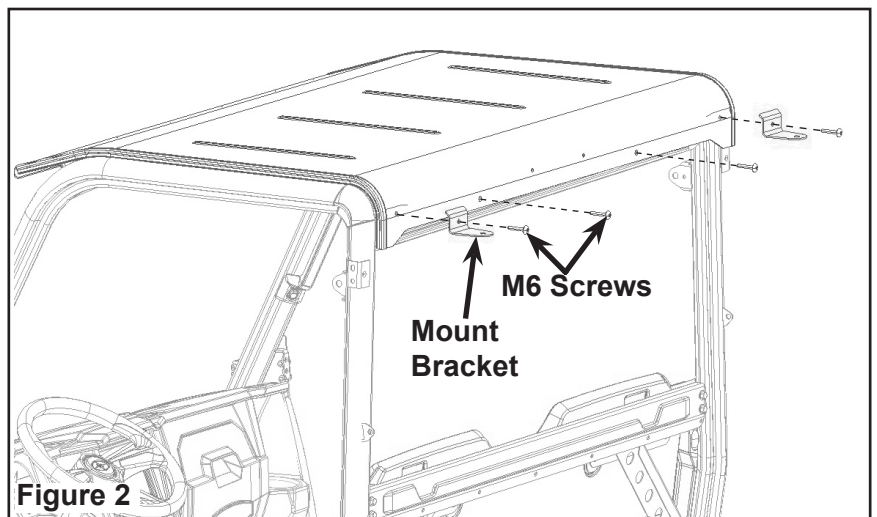
IMPORTANT: Your Polaris STEEL ROOF KIT is exclusively designed for your vehicle. Please read the installation instructions thoroughly before beginning. Installation is easier if the vehicle is clean and free of debris. For your safety and to ensure a satisfactory installation, perform all installation steps correctly and in the sequence shown.

INSTALLATION INSTRUCTIONS:

1. Place the vehicle in "PARK". Turn the key to "OFF" position and remove from the vehicle.
2. Place the roof on the top of the vehicle. Figure 1.



3. Secure the roof with four M6 screws (PN 7519001) from the rear of the vehicle through the mount bracket (PN 5259057) into the ROPS frame. Tighten to 6 ft. lbs. (8.13 Nm). Figure 2.



4. Install the three M6 bolts (PN 7518656) to secure the front of roof to upper frame on the vehicle. This will also help to compress the front seal (PN 5814086) for best sealing in inclement weather. Torque to 16 ft-lbs. (21.7 Nm). Figure 3.

