

FULL WINDSHIELD KIT



P/N 2883318, 2883319, 2883342

APPLICATION

Verify accessory fitment at Polaris.com.

BEFORE YOU BEGIN

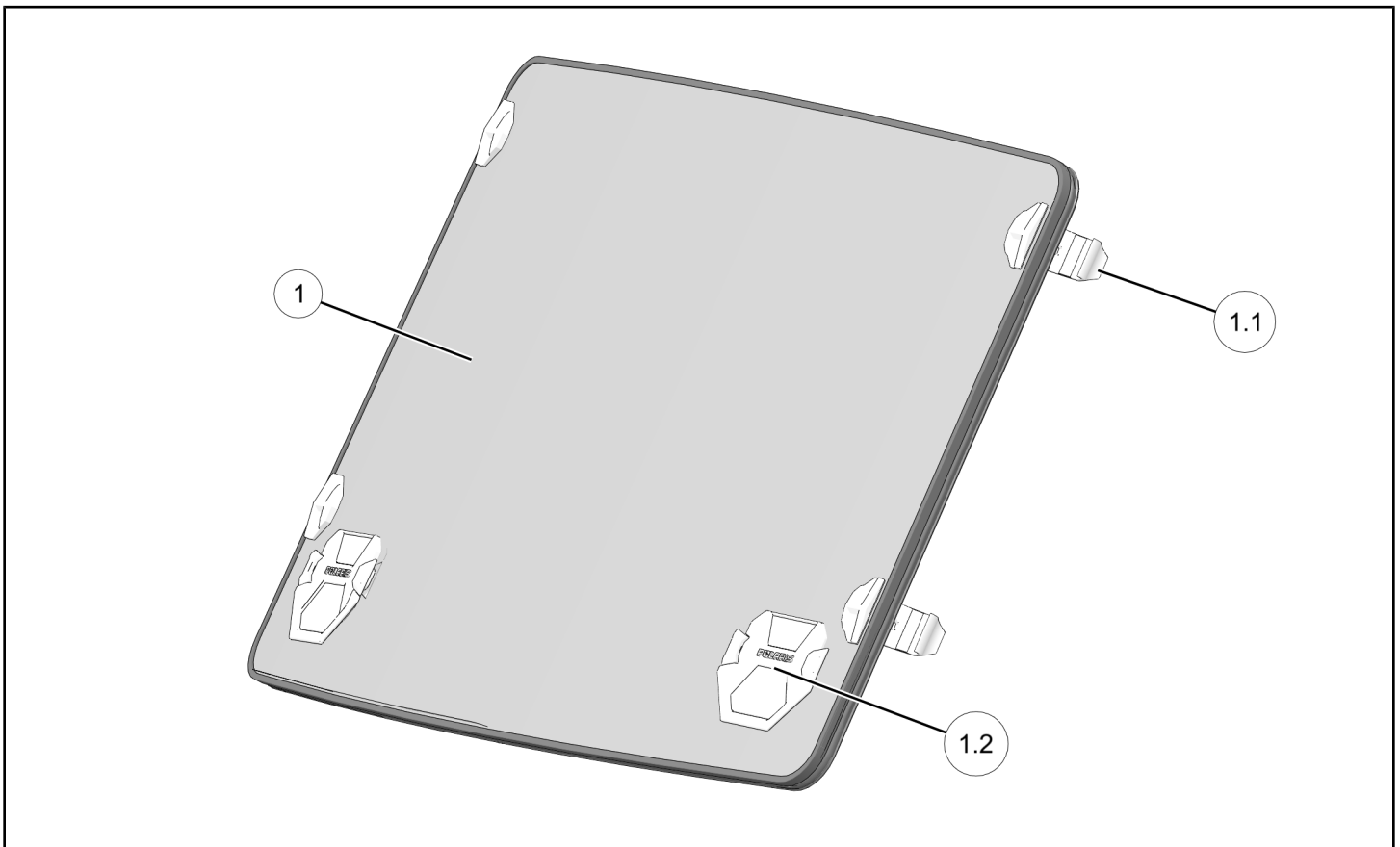
Read these instructions and check to be sure all parts and tools are accounted for. Please retain these installation instructions for future reference and parts ordering information.

KIT CONTENTS

This Kit includes:

NOTE

Kit PN 2883342 shown; Kit PNs 2883318 and 2883319 similar except as noted below.



REF	QTY	PART DESCRIPTION	PART NUMBER
1	1	Windshield, Poly, Vented (Kit PN 2883342 only) (includes items 1.2 and 1.3 below)	-
	1	Windshield, Poly, General Purpose (Kit PN 2883318 only) (includes item 1.2 below)	-
	1	Windshield, Poly, Hard Coat (Kit PN 2883319 only) (includes item 1.2 below)	-
1.1	4	. Clamp Assembly	2636989

REF	QTY	PART DESCRIPTION	PART NUMBER
1.2	2	. Vent (Kit PN 2883342 only)	2636990
	1	Instructions	9928526

TOOLS REQUIRED

None

IMPORTANT

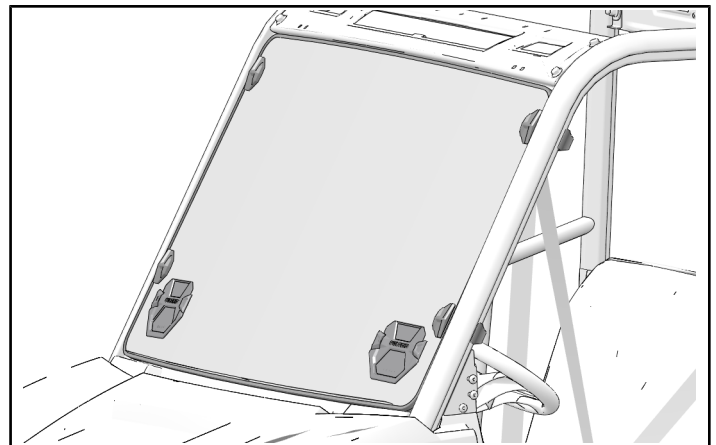
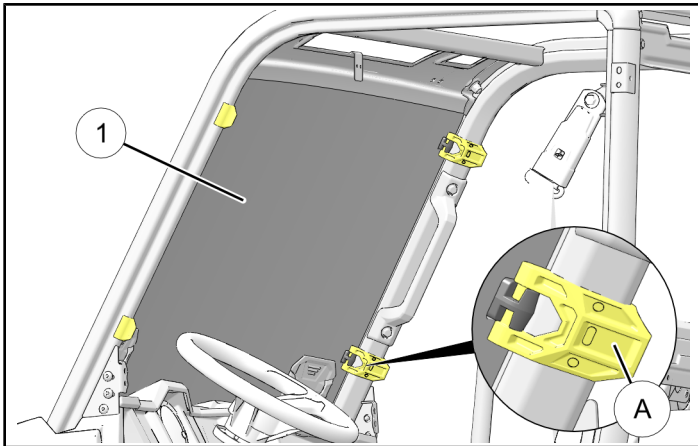
Your Full Windshield Kit is exclusively designed for your vehicle. Please read the installation instructions thoroughly before beginning. Installation is easier if the vehicle is clean and free of debris. For your safety, and to ensure a satisfactory installation, perform all installation steps correctly in the sequence shown.

ASSEMBLY TIME

Approximately 5 minutes

INSTALLATION INSTRUCTIONS

1. Shift vehicle transmission into "PARK". Turn ignition switch to "OFF" position and remove key from switch.
2. Open four clamps **A**, position lower edge of windshield **1** against dash panel, then lock clamps to A-pillars.



⚠ WARNING

If transporting vehicle in non-enclosed trailer then vehicle must **FACE FORWARD**, or windshield must be removed. Failure to comply may allow airflow, vibration, or other factors to separate windshield from vehicle and cause an accident, resulting in serious personal injury or death.

FEEDBACK FORM

A feedback form has been created for the installer to provide any comments, questions or concerns about the installation instructions. The form is viewable on mobile devices by scanning the QR code or by clicking [HERE](#) if viewing on a PC.

FEEDBACK FORM

