

# CAB SEAL KIT



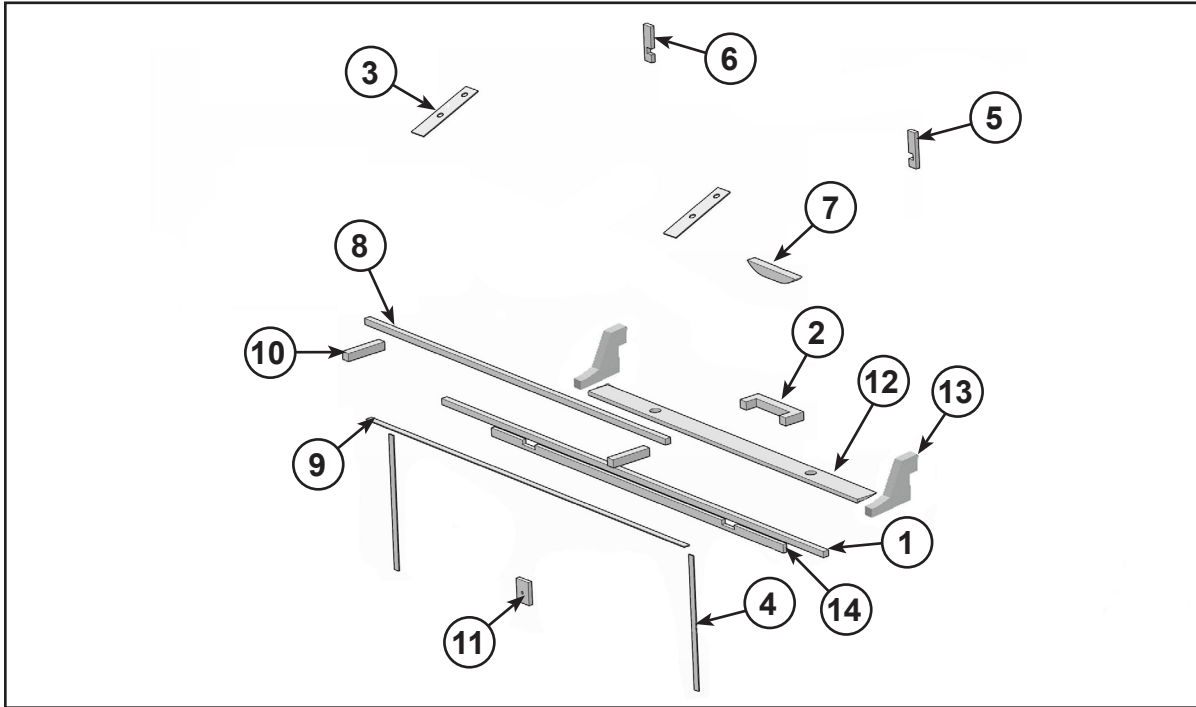
P/N 2880508; 2880883

## APPLICATION

RANGER 570 AND RANGER ETX

## BEFORE YOU BEGIN

Read these instructions thoroughly and make sure all parts and tools are accounted for. Please retain these installation instructions for future reference and parts ordering information.



## KIT CONTENTS (FOR PN 2880508):

Ref	Qty	Part Description	Part Number
1	1	Seat Base Foam	5814218
2	1	Rear Close off Foam, Lower	5814219
3	2	A-Pillar Front Foam, Top	5814220
4	2	Rocker Panel Foam	5814221
5	1	Rear ROPS Foam, LH	5814222
6	1	Rear ROPS Foam, RH	5814223
7	1	Rear Close off Foam, Upper	5814224
8	1	Dash Foam, Top	5814225
9	1	Dash Foam, Bottom	5814226
10	2	Dash Foam, A-Pillar	5814227
11	1	Floor Foam, Brake Cylinder	5814228
12	1	Seat Base Foam	5814229
13	2	B Pillar Foam	5814230
14	1	Floor Back Foam	5814232
	1	Instructions	9925841

## KIT CONTENTS (FOR PN 2880883):

Ref	Qty	Part Description	Part Number
1	2	Seat Base Foam	5814218
2	2	Rear Close off Foam, Lower	5814219
3	2	A-Pillar Front Foam, Top	5814220
4	2	Rocker Panel Foam	5814221
5	1	Rear ROPS Foam, LH	5814222
6	1	Rear ROPS Foam, RH	5814223
7	1	Rear Close off Foam, Upper	5814224
8	1	Dash Foam, Top	5814225
9	1	Dash Foam, Bottom	5814226
10	2	Dash Foam, A-Pillar	5814227
11	1	Floor Foam, Brake Cylinder	5814228
12	2	Seat Base Foam	5814229
13	4	B Pillar Foam	5814230
14	2	Floor Back Foam	5814232
	1	Instructions	9925841

## TOOLS NEEDED

Pliers      Screwdrivers      Torx Wrench      Metric Socket Set      Metric Wrench Set

## APPROXIMATE ASSEMBLY TIME

30-45 mins

## IMPORTANT

Your Polaris CAB SEAL KIT is exclusively designed for your vehicle. Please read the installation instructions thoroughly before beginning. Installation is easier if the vehicle is clean and free of debris. For your safety, and to ensure a satisfactory installation, perform all installation steps correctly in the sequence shown.

## INSTALLATION INSTRUCTIONS

1. Park the vehicle. Turn the key to "OFF" position and remove from the vehicle.
2. Remove seat and seat base. Remove steel roof, if installed. In crew vehicle, remove rear passenger seat.

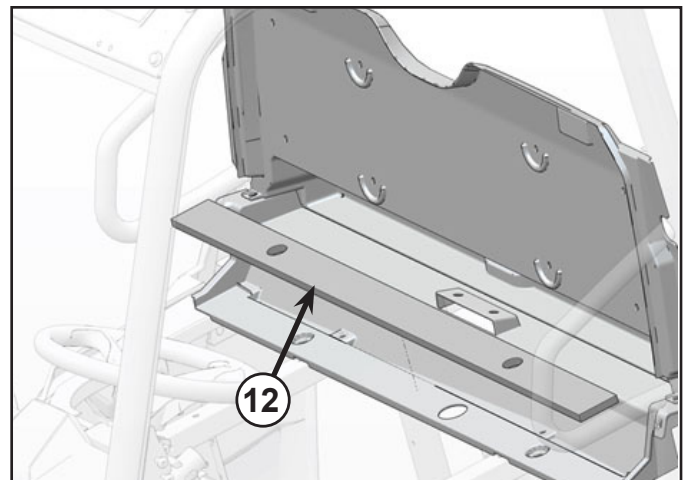
## IMPORTANT

Prepare all surfaces for adhesive by wiping off any dirt or oil to ensure proper sealing.

3. For Kit PN 2880508: Install seat base foam (12) by pressing down firmly to the plastic close off panel as shown in figure.

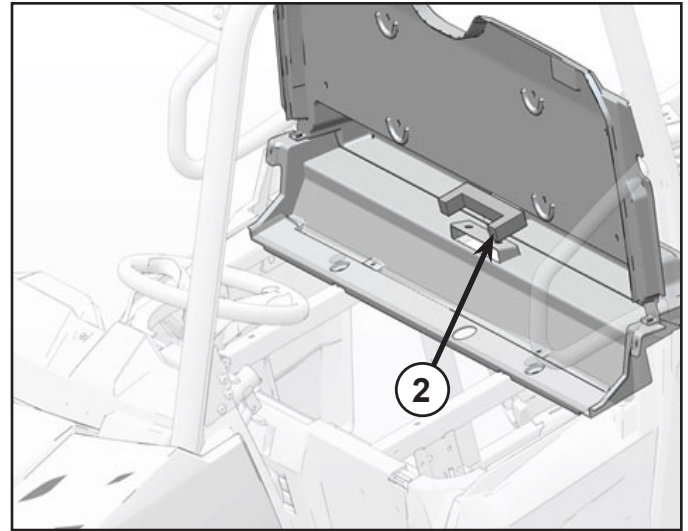
For Kit PN 2880883: Install two seat base foams (12) by pressing down firmly to the front and rear plastic close off panels.

**NOTE:** Ensure the holes are lined up properly before pressing down.



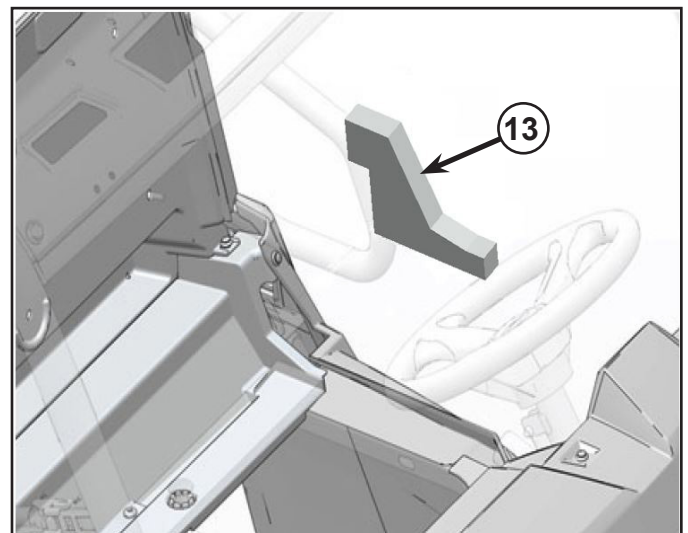
4. For Kit PN 2880508: Install rear lower close off foam (2) at the proper position on to the close off panel ensuring the clean surface as shown in figure.

For Kit PN 2880883: Install two rear lower close off foams (2) by pressing down firmly to the front and rear plastic close off panels.

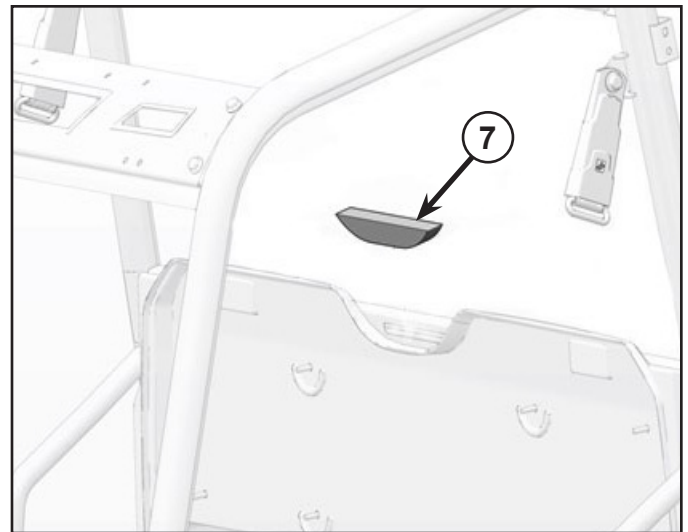


5. For Kit PN 2880508: Install two B pillar foams (13) LH and RH by pressing firmly against the metal surface. LH side shown in figure.

For Kit PN 2880883: Install two B pillar foams (13) to the front and two to the rear by pressing firmly against the metal surface.

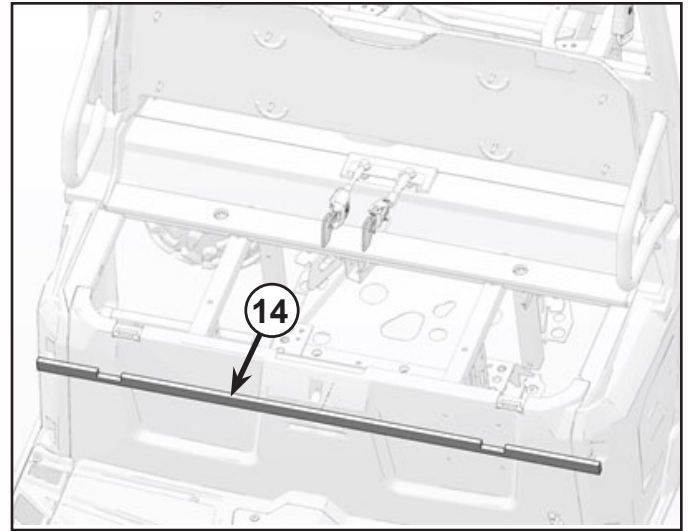


6. Install rear upper close off foam (7) on to the cab frame as shown in figure.



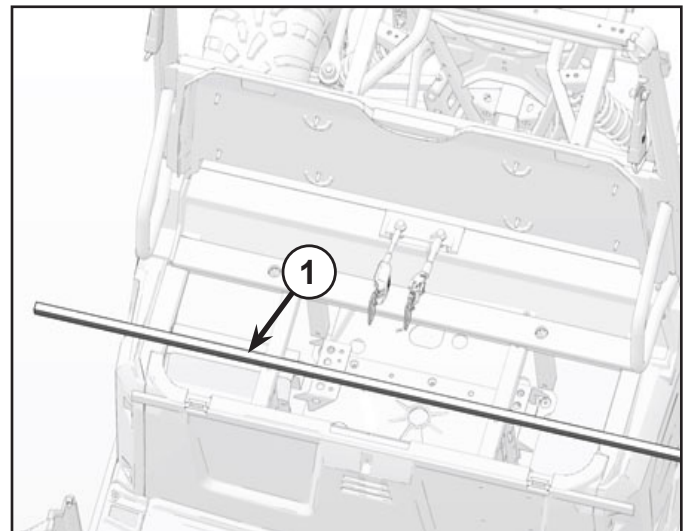
7. For Kit PN 2880508: Peel back plastic of seat and install foam seal (14) along the floor base ensuring the features line up.

For Kit PN 2880883: Peel back plastic of seat and install two foam seals (14) along the front and rear floor base ensuring the features line up.

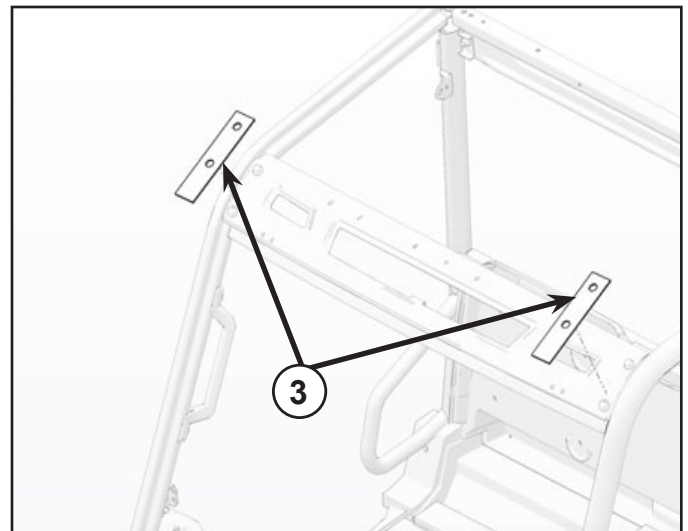


8. For Kit PN 2880508: Install the seat base foam (1) on to the floor base as shown in figure.

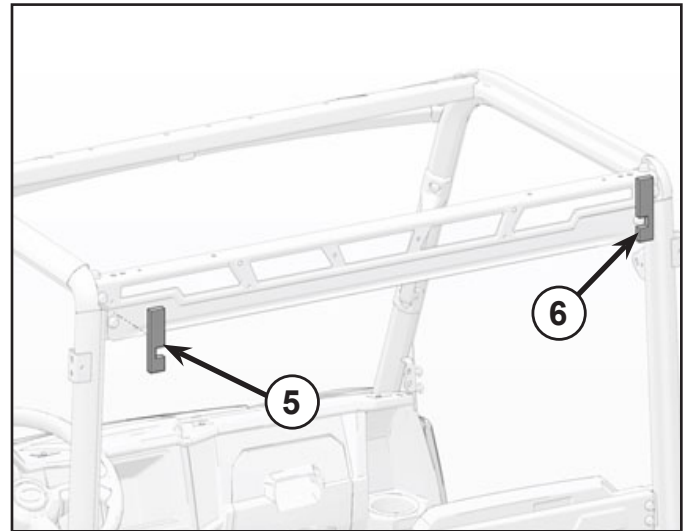
For Kit PN 2880883: Install the two seat base foams (1) on to the front and rear floor base as shown in figure.



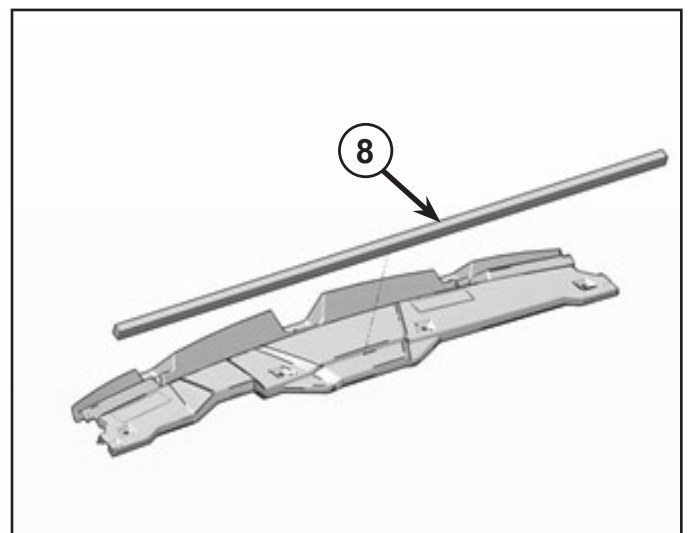
9. Press firmly and install front A-pillar foams (3) on to the windshield mount plate ensuring the holes are lined up properly.



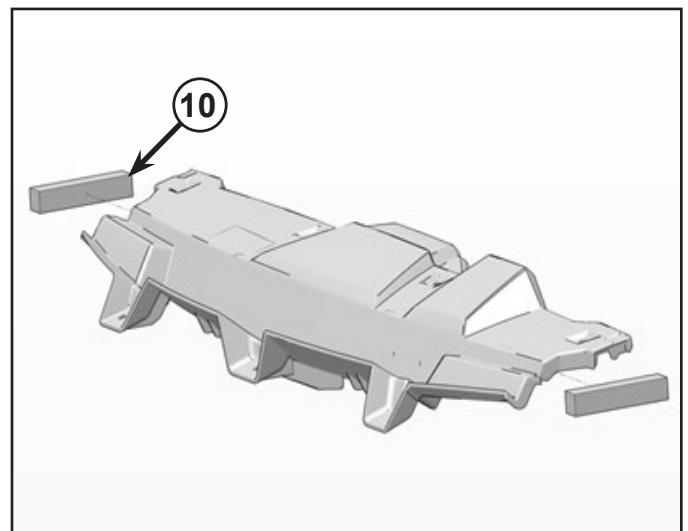
10. Install rear ROPS foams LH (5) and RH (6) as shown in figure. Ensure foam seal lined up properly.



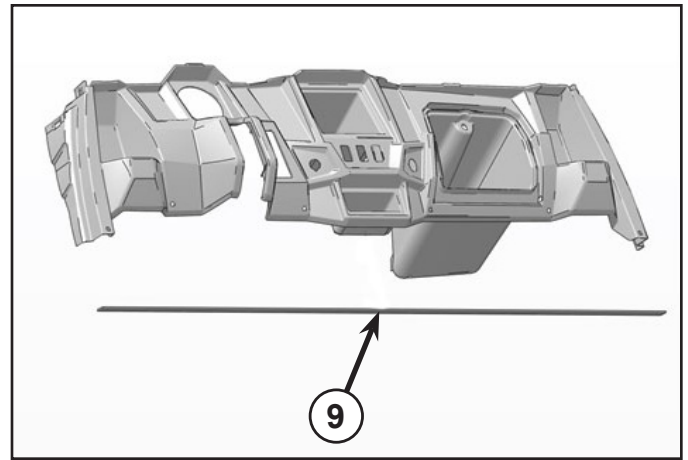
11. Remove the retainer straps and twist the hood from the vehicle. Remove the upper dash panel by removing seven rivets.
12. On the top of upper dash panel, install foam (8) ensuring the features line up.



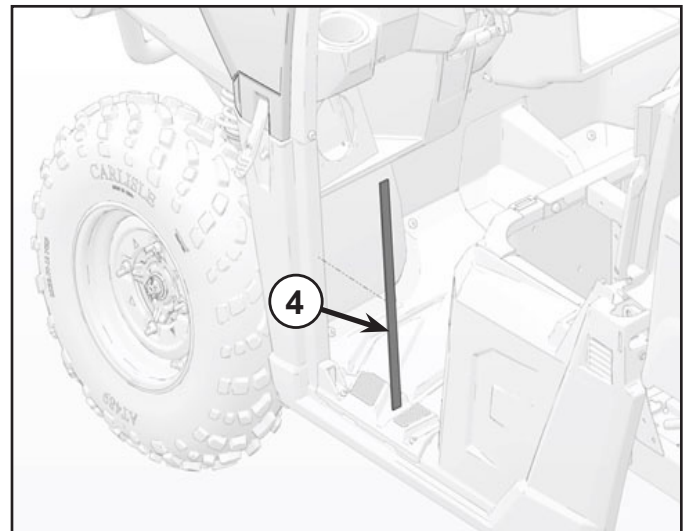
13. Install two dash A-pillar foams (10) on both sides of dash panel ensuring the features line up.



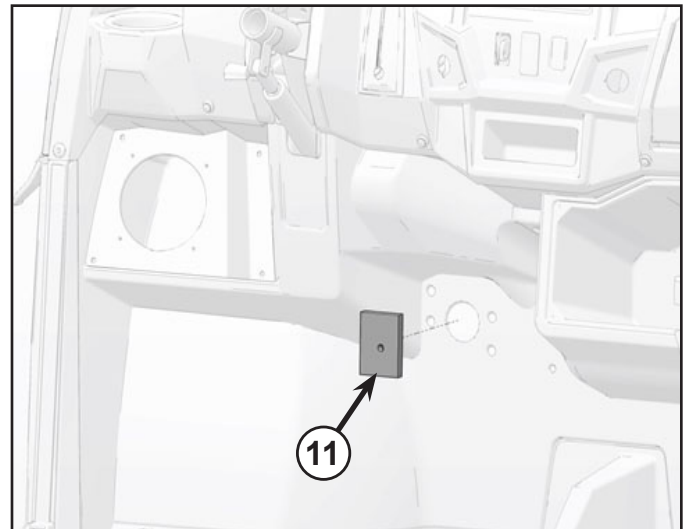
14. Press firmly and install bottom dash foam (9) to the bottom of lower dash panel. Ensure the proper placement of seal.



15. Install two rocker panel foams (4) on to the front floor body on both LH and RH side. LH side shown in figure.



16. Install brake cylinder foam (11) on to the front floor body as shown. Ensure the proper placement of seal.



17. Reinstall back upper dash panel and hood removed in Step 11.  
18. Reinstall seat base, seat and steel roof removed in Step 2.