

STANDARD REAR BUMPER KIT

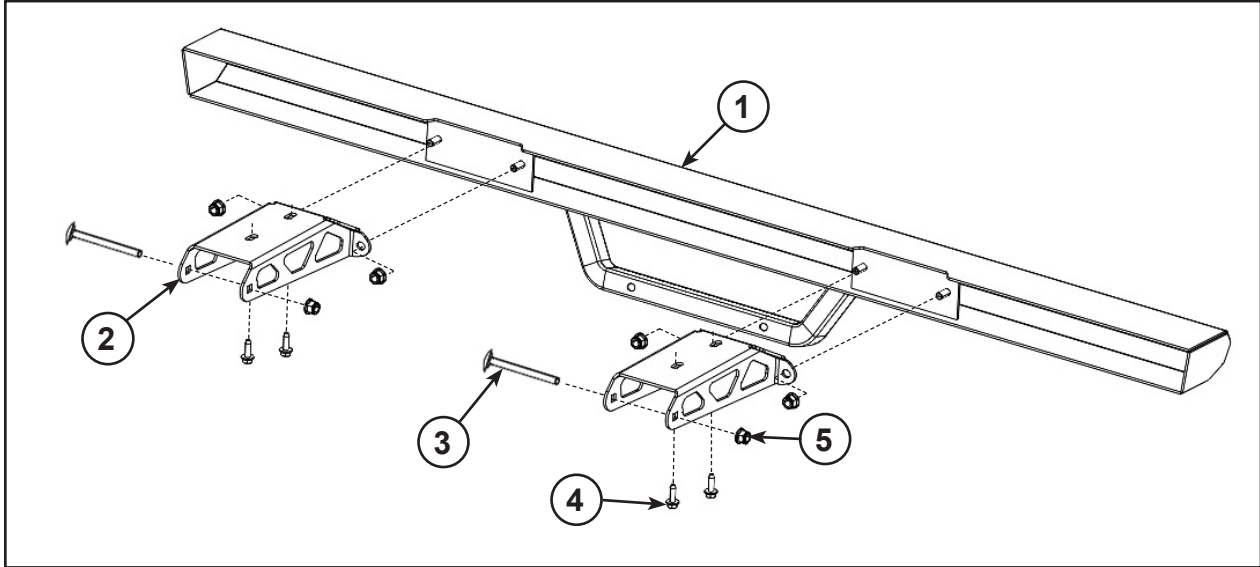
P/N 2879972

Application

RANGER ETX AND RANGER 570



Before you begin, read these instructions twice and check to be sure all parts and tools are accounted for. Please retain these installation instructions for future reference and parts ordering information.



This Kit Includes:

<u>Ref</u>	<u>Qty</u>	<u>Part Description</u>	<u>Part Number</u>
1	1	Rear Bumper Weldment	1020683
2	2	Rear Bumper Mount Bracket	5259565
3	2	Carriage Bolt, M8x1.25x100	7517254
4	4	Self-tapping Screw, 1/4"-20x1"	7518529
5	6	Flange Nut, M8x1.25, Nyloc	7547332
	1	Instructions	9925469

Tools Required:

Metric Socket Set

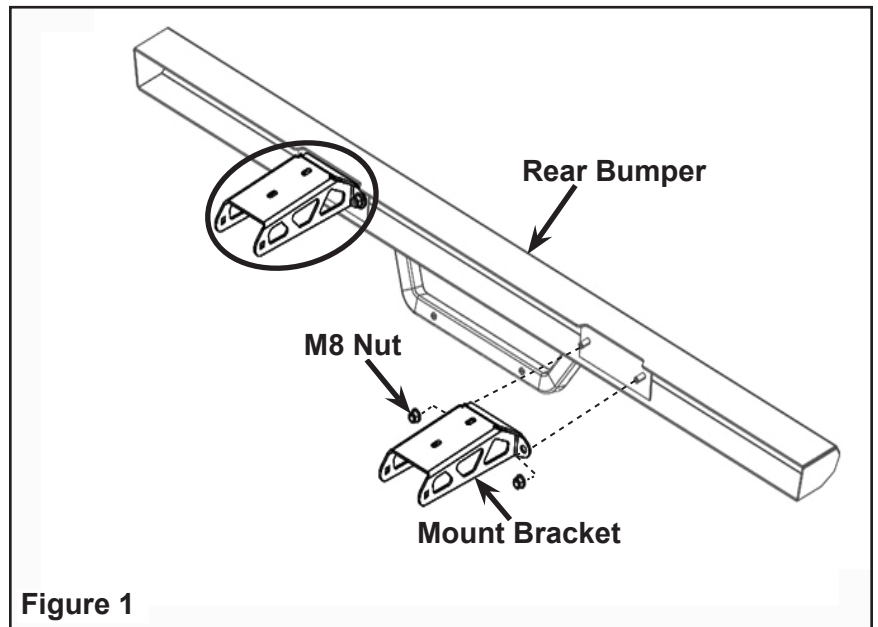
Torx Wrench Set

APPROXIMATE ASSEMBLY TIME: 15 minutes

IMPORTANT: Your Polaris STANDARD REAR BUMPER KIT is exclusively designed for your vehicle. Please read the installation instructions thoroughly before beginning. Installation is easier if the vehicle is clean and free of debris. For your safety, and to ensure a satisfactory installation, perform all installation steps correctly in the sequence shown.

INSTALLATION INSTRUCTIONS:

1. Park the vehicle. Turn the key to "OFF" position and remove from the vehicle.
2. Align holes of the mounting brackets (PN 5259565) with rear bumper studs and attach by using four nuts (PN 7547332). Tighten nuts to torque 16 lb. ft. (21.7 Nm). Figure 1.



3. Get under the rear of vehicle. Align the rear bumper assembly to the chassis frame and hinge bracket holes. Loosely install mount brackets on to the chassis by attaching two self-tapping screws (PN 7518529). Install two M8 carriage bolts (PN 7517254) and relevant nuts (PN 7547332) through the holes of mount bracket and hinge bracket. Figure 2.
4. Tighten self-tapping screws to torque 6 ft. lbs. (8.13 Nm) and M8 carriage bolts to torque 16 ft. lbs. (21.7 Nm).

