



POLARIS
RANGER
EXTREME DUTY

XD
1500

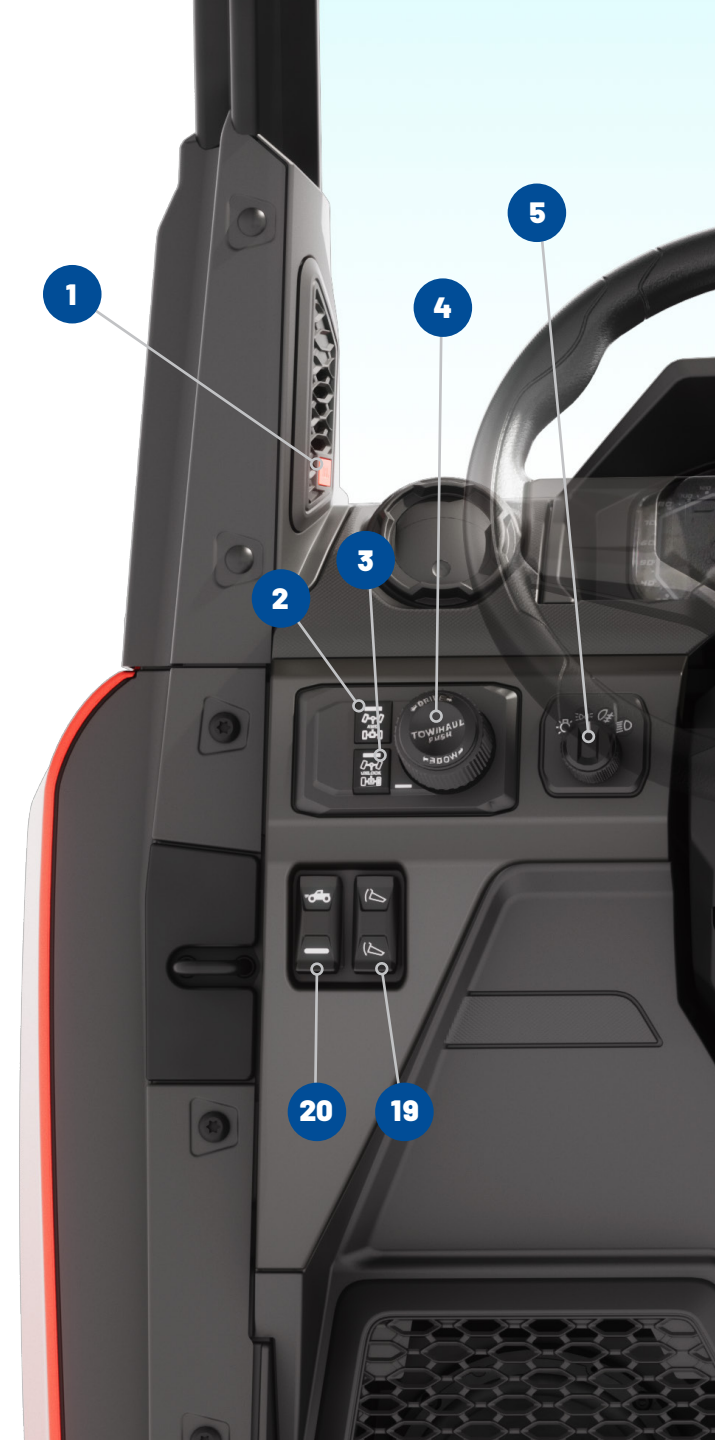
QUICK START GUIDE

POLARIS

RANGER XD 1500

DASH PANEL LAYOUT

- 1 JBL® TRAIL PRO AUDIO
- 2 ON-DEMAND AWD
- 3 REAR DIFFERENTIAL LOCK
- 4 DRIVE MODES DIAL
(COMFORT, SPORT, STANDARD, TOW/HAUL)
- 5 HEADLIGHT SWITCH
- 6 IGNITION SWITCH
- 7 SHIFTER WITH DRIVE,
REVERSE AND PARK
- 8 RIDE COMMAND DISPLAY
(NORTHSTAR EDITION ULTIMATE)
- 9 HVAC CONTROL PANEL
(NORTHSTAR EDITIONS)
- 10 STORAGE COMPARTMENTS
- 11 WINCH SWITCH
(NORTHSTAR EDITIONS)
- 12 DUAL USB OUTLET
- 13 POWER WINDOW SWITCHES
(NORTHSTAR EDITIONS)
- 14 WINDSHIELD WIPER/WASHER SWITCH
(NORTHSTAR EDITIONS)
- 15 12V POWER
- 16 REAR BED 12V AUX POWER SWITCH
(NORTHSTAR EDITIONS)
- 17 TRANSMISSION NEUTRAL DISCONNECT
(UNDER TRIM COVER)
- 18 STEERING WHEEL ADJUSTMENT LEVER
(TILT ONLY FOR PREMIUM)
(TILT & TELESCOPIC FOR NORTHSTAR EDITIONS)
- 19 CARGO BOX LIFT SWITCH
(NORTHSTAR EDITIONS)
- 20 AUXILIARY LIGHTS
(NORTHSTAR EDITION ULTIMATE)





6

7

8

9

10

1

18

17

16

11

15

14

13

12

RANGER XD 1500

STEELDRIVE TRANSMISSION

An industry-exclusive automatic transmission featuring a 100% steel constructed belt that delivers smooth, precise operation and a fully-sealed, liquid cooled design for unmatched durability.

MAXIMUM DURABILITY & STRENGTH

The 100% steel constructed belt is designed to withstand heavy loads and requires little maintenance compared to the rubber belt design commonly found in other UTVs. Plus, it's fully-sealed and liquid cooled for maximum durability and longevity.

EFFORTLESS SHIFTING, QUIET OPERATION

Easily shift between drive, park, and reverse gears with a consistent, predictable feel and reduced effort. The controlled RPMs reduce operating noise for a quieter, more enjoyable ride.

SMOOTH, PRECISE CONTROL

STEELDRIVE is electronically controlled to deliver outstanding drivability benefits. Enjoy smooth, predictable throttle engagement and precise low speed control when backing up to trailers, navigating rough terrain, or spraying a fence line.

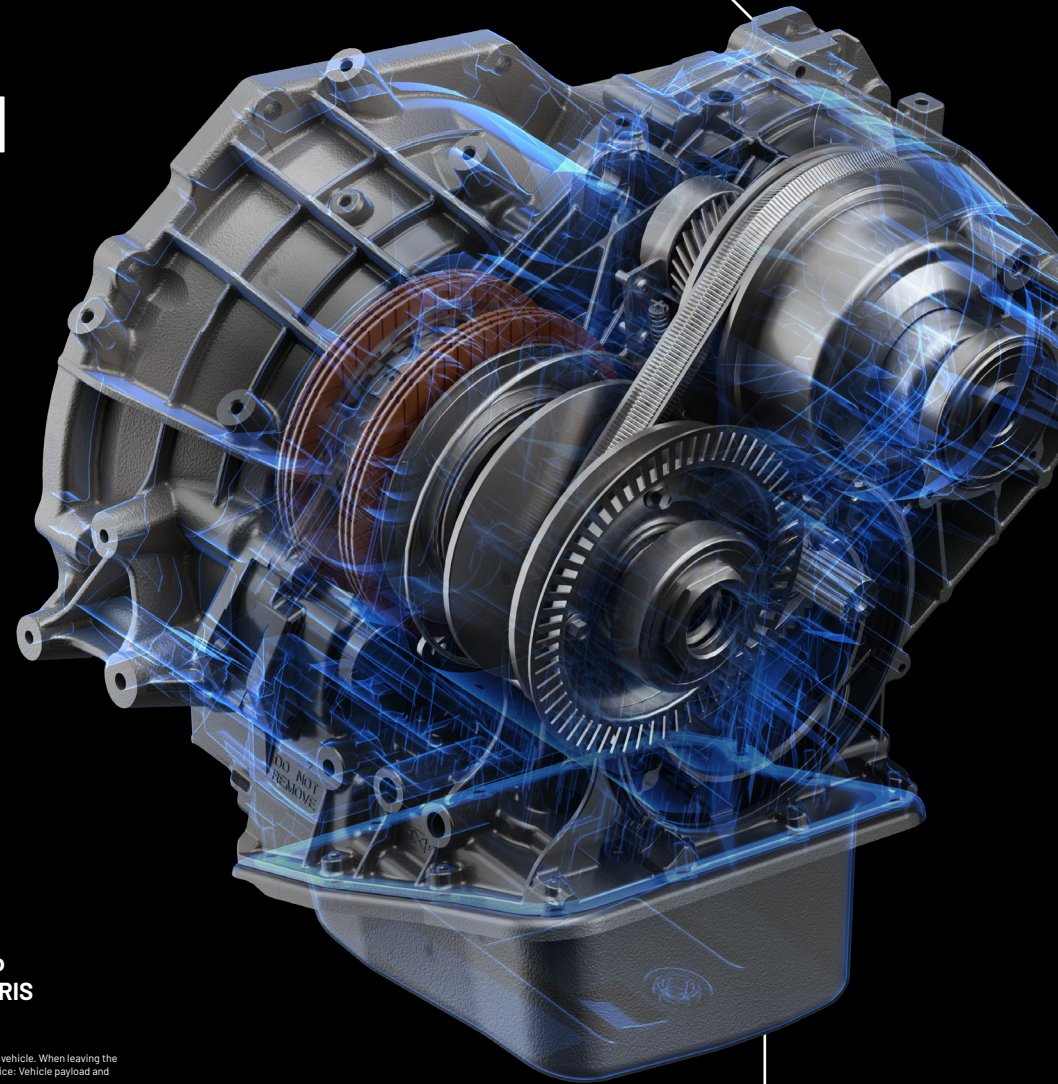
HILL ASSIST

Have complete confidence in challenging terrain. For maximum control when driving uphill, Hill Assist engages the transmission to prevent the vehicle from rolling backwards when letting off the accelerator and brakes. When navigating downhill, the transmission remains engaged to assist in controlling descent.*



Disconnect transmission to tow or pull the vehicle. Even at low speeds, attempting to tow or pull this vehicle can damage the transmission. Do not tow a disabled POLARIS RANGER faster than 10 mph (16 km/h).

*Warning: vehicle rollover can cause serious injury or death. This vehicle can roll whenever the gear selector is not in the park position. Always shift to park when stopping the engine or leaving the vehicle. When leaving the vehicle on an incline is unavoidable, use extra care. If leaving the vehicle unattended, block the rear wheels on the downhill side and keep children, pets, and others away from the gear selector. Notice: Vehicle payload and trailer weight will affect the angle of hill on which the vehicle will hold.



LR LOCK & RIDE MAX HOW IT WORKS



1 CHOOSE ACCESSORIES



2 POSITION ON VEHICLE



3 SLIDE TO DESIRED LOCATION



4 LOCK ACCESSORIES DOWN



5 RECONFIGURE AS NEEDED



MAXIMIZE. DON'T COMPROMISE.

Configure your vehicle for any job, work more efficiently, and get more done than ever before. With highly customizable configurations and no tools required, you have the freedom to reconfigure on the fly and spend more time getting the job done.



POLARIS RIDE COMMAND+

All new Polaris RANGER XD 1500s include a trial subscription to RIDE COMMAND+.

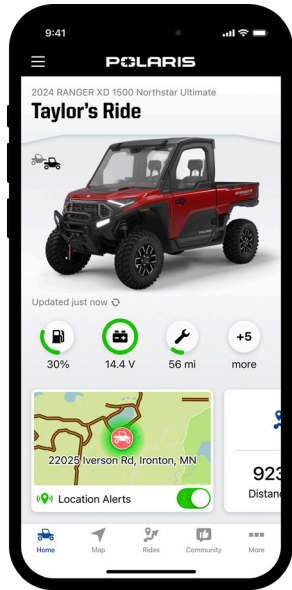
RIDE COMMAND+ takes the guesswork out of Polaris ownership by tapping into your vehicle's knowledge center and pushing critical information about how to protect and maintain your new Polaris right to the palm of your hand. No matter where you are, you can use your phone to access vehicle health and diagnostics, while locating your vehicle from anywhere.

Currently available in United States, Canada, Mexico.



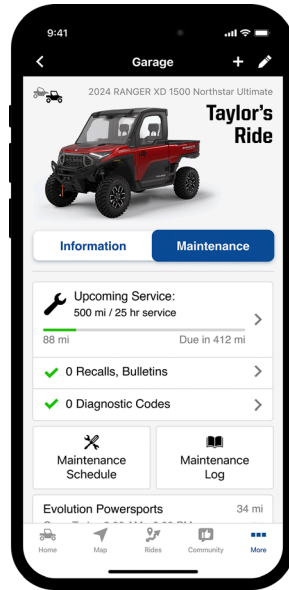
SCAN THE QR CODE
TO LEARN MORE ABOUT
RIDE COMMAND+

OUTSMART THE UNEXPECTED WITH THESE KEY RIDE COMMAND+ FEATURES



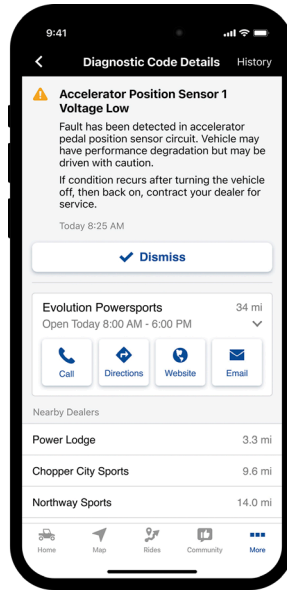
VEHICLE HEALTH

Remotely monitor battery life and estimated range on electric vehicles, fuel level, oil change status, and more for a confident start and finish to the day.



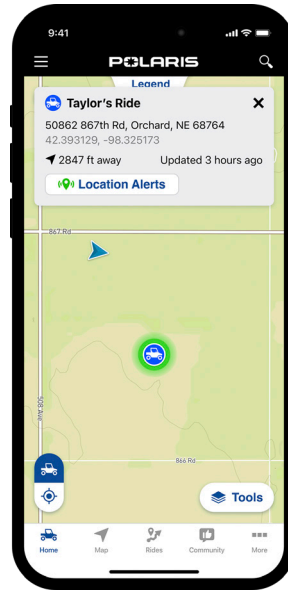
MAINTENANCE REMINDERS

Stay on top of routine needs with maintenance reminders that are specific to your vehicle.



ISSUE DIAGNOSTICS

Spend less time trying to diagnose an issue and avoid unexpected down time.



VEHICLE LOCATOR

Pinpoint where any vehicle you own is, on or off your property.

HOW TO ACTIVATE RIDE COMMAND+

Now that you know what RIDE COMMAND+ offers, it's time to activate.

HERE'S HOW TO GET STARTED QUICKLY:

- 1 Download the Polaris App from the Apple App Store or Google Play Store
- 2 Setup Your Account
- 3 Add your vehicle to your account from the App by:
 - Tapping the Polaris emblem badge on the hood of your machine, or
 - Pairing your phone with the 7 button Ride Command display, or
 - Entering your vehicle's VIN number

AFTER YOU'VE CONNECTED TO RIDE COMMAND+ WITH ONE OF THE METHODS ABOVE, YOU'LL:

Activate Your Subscription - Log in to your existing Polaris account or create a new one in the app.

Access Your Vehicle Info - Connect your vehicle to the Garage and access all the information you need about your vehicle in the Polaris App or on the web.

Currently available in United States, Canada, Mexico.

POLARIS

JBL® is a registered trademark of Harman International Industries, Incorporated.

WARNING: Polaris off-road vehicles can be hazardous to operate and are not intended for on-road use. Driver must be at least 16 years old with a valid driver's license to operate. All riders should always wear helmets, eye protection and footwear and refer to the owner's manual for additional protective gear instructions and requirements. Read, understand and follow your owner's manual. Ride within the limits of your own abilities and never engage in stunt or exhibition driving. Never ride under the influence of drugs or alcohol. All riders should take a safety training course. Call 800-342-3764 for additional information.