

PRO-FIT STEEL ROOF KIT

P/N 2879881

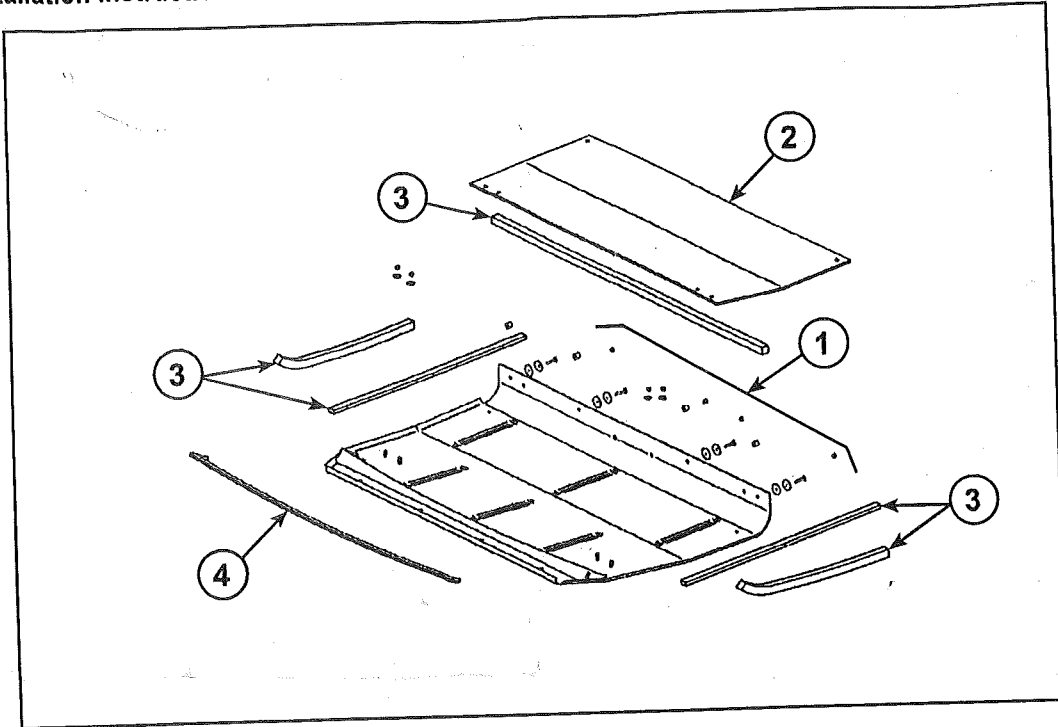


POLARIS®

Application

Polaris Ranger XP 2013 models, 2013 and more recent

Before you begin, read these instructions twice and check to be sure all parts and tools are accounted for. Please retain these installation instructions for future reference and parts ordering information.



Kit Contents:

<u>Ref</u>	<u>Qty</u>	<u>Part Description</u>	<u>Part Number</u>
1	1	K-SVC Hardware, Roof, SCY, TTN	2205369
2	1	K-SVC HDLNR, Roof, SCY, TTN	2205370
3	1	K-SVC, Seals, Roof, SCY, TTN	2205371
4	1	K-SVC Bulb Seal, SCY, TTN	2205372
	1	Instructions	9925353

Tools Required:

SAE Socket Kit

Torx Bit Set

IMPORTANT: Your Polaris PRO-FIT STEEL ROOF KIT is exclusively designed for your vehicle. Please read the installation instructions thoroughly before beginning. Installation is easier if the vehicle is clean and free of debris. For your safety and to ensure a satisfactory installation, perform all installation steps correctly and in the sequence shown.

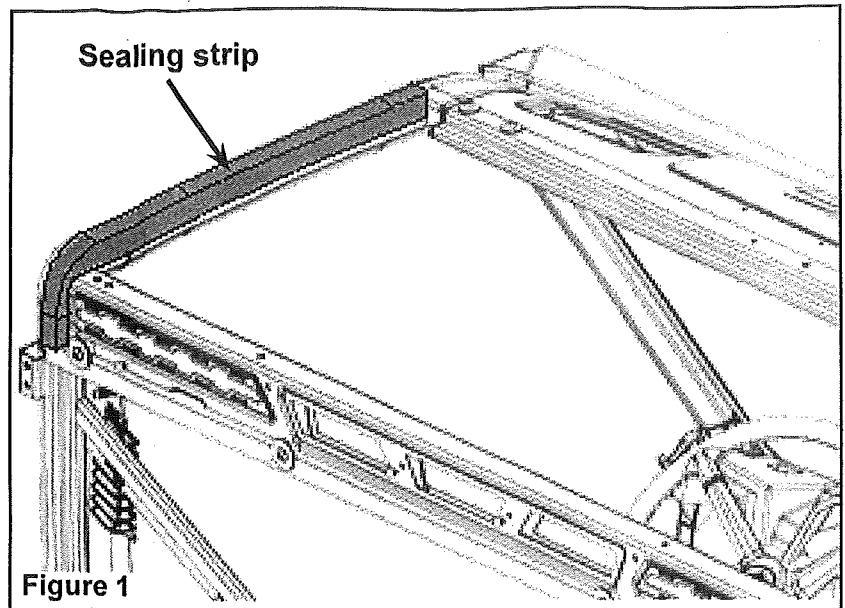
IMPORTANT: Perform all steps correctly and completely. For a better cab assembly procedure, install kits in the following order: front window, rear window, roof and doors.

APPROXIMATE ASSEMBLY TIME: 15 minutes

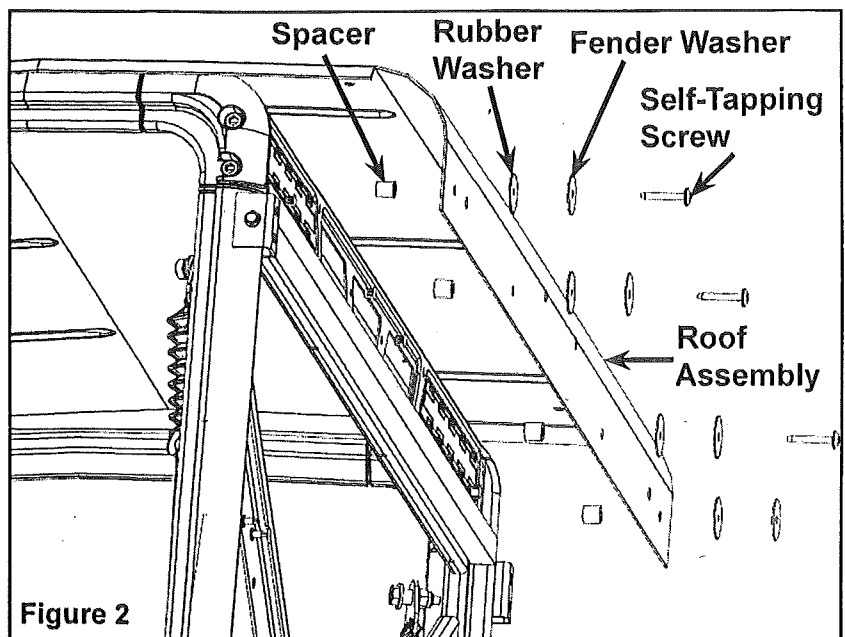
INSTALLATION INSTRUCTIONS:

NOTE: To install this roof assembly, two people are required.

1. Install a sealing strip into the top of the offset of each upper frame cross member. Figure 1.



2. Place the spacers between the roof assembly and the vehicle cross member. Align the holes and secure the back of the roof using rubber washers, fender washers and self-tapping screws. Figure 2.



3. Fix the front of the roof panel using M8 nylock nuts and M8 flat washers.
Figure 3.

